

Go to www.vtechphones.com to register your product for enhanced warranty support and latest VTech product news.

VM991

Wi-Fi Pan and Tilt HD Video Monitor



vtech®

Installation guide

Congratulations

on purchasing your new VTech product. Before using this HD video monitor, please read **Important safety instructions**.

For support, shopping, and everything new at VTech, visit our website at www.vtechphones.com. In Canada, visit www.vtechcanada.com.

Introduction

VTech Wi-Fi HD Video Monitor allows you to stay close to your baby when you are on the move or away.

This monitor is Wi-Fi enabled, which uses your home wireless network to stream live video and audio through the HD camera unit and 5-inch touch screen parent unit. It allows you to maintain a constant connection to your baby.

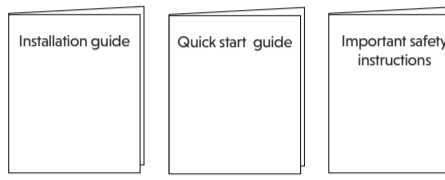
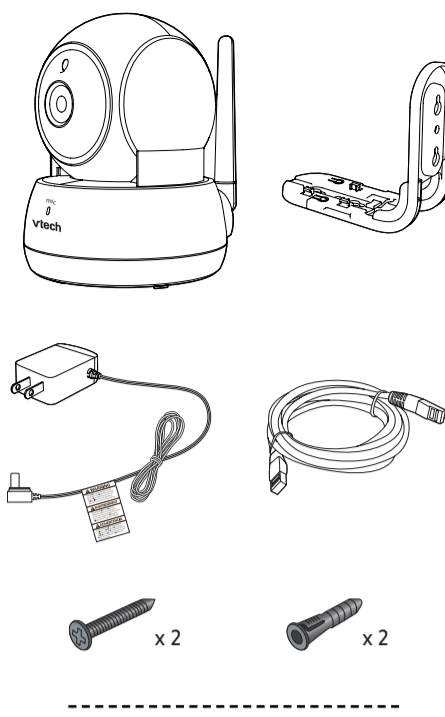
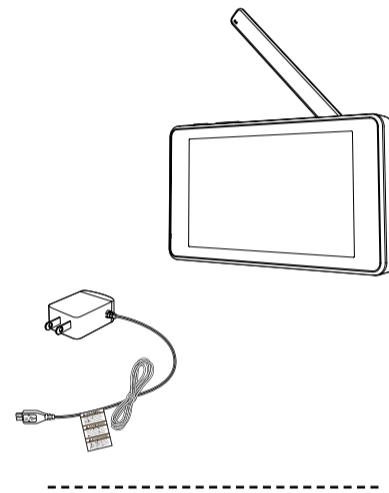
You can also monitor from your smartphone and mobile tablet.

VTech Wi-Fi HD Video Monitor uses MyVTech Baby app to let you instantly see and hear what's happening with your baby from anywhere in the world.

The app can be downloaded from the App Store or the Google Play™ Store, directly from your smartphone or mobile tablet.

What's in the box

Your HD video monitor package contains the following items. Save your sales receipt and original packaging in the event warranty service is necessary.



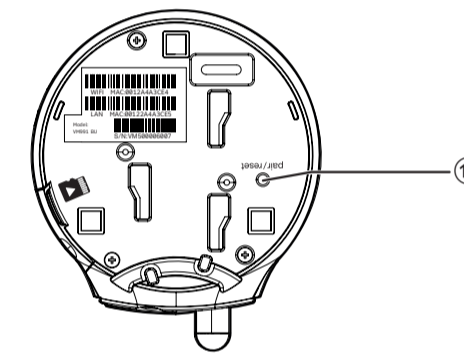
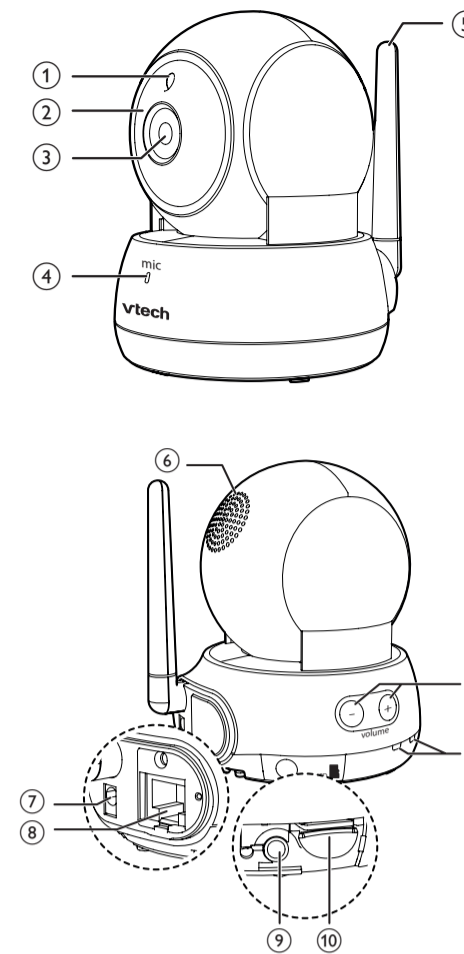
Requirements

Make sure your system includes the following components, and they meet the minimum requirement.

Network	Wi-Fi
Wi-Fi router	2.4GHz IEEE 802.11 b/g/n
Internet connection	At least 1.0 Mbps upload bandwidth per camera
micro SD card	Support Class 4 or higher, with storage capacity up to 32GB
Parent unit	Connect up to 4 camera units
MyVTech Baby mobile app	Connect up to 10 camera units

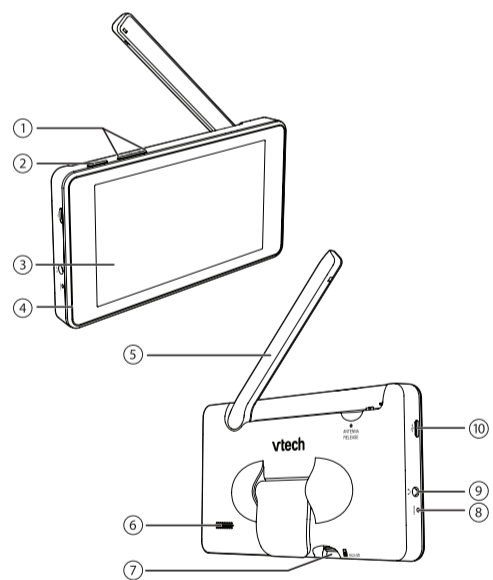
Overview

Camera unit overview



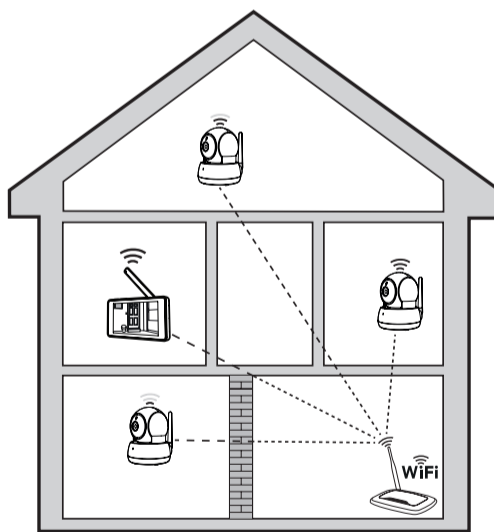
1	Light sensor
2	Infrared LEDs • Allow you to see clearly in a dark surrounding.
3	Camera lens
4	Microphone
5	Antenna • Connect to router with Wi-Fi.
6	Speaker
7	Power jack
8	Ethernet port • Connect to router with an RJ45 network cable (optional).
9	3.5mm line jack • Connect to audio output device (optional).
10	micro SD card slot
11	LED indicators • Flash orange and blue alternately when the camera unit is in pairing mode. • Orange is steady on when the camera unit is connecting to the Internet. • Orange and blue are steady on when the camera unit is idle. • Flash orange and blue slowly during video streaming. • Flash orange and blue quickly and alternately when the camera unit is updating its firmware. TIP • You can turn off the camera unit's LEDs if you find them too bright. Read the LED online indicator section under Camera settings in your parent unit's app manual for instructions.
12	Volume - • Press to decrease the camera unit speaker volume. Volume + • Press to increase the camera unit speaker volume.
13	Pair/reset button • Press and hold for four seconds to enter pairing mode.

Parent unit overview



How the system works

The Wi-Fi router (not included) provides Internet connectivity to your HD video monitor system. It serves as a communicating channel between your camera unit and parent unit, allowing you to monitor and/or control your camera unit wherever you are.



Protect your privacy and online security

VTech cares about your privacy and peace of mind. That's why we've put together a list of industry-recommended best practices to help keep your wireless connection private and your devices protected when online. We recommend you carefully review and consider complying with the following tips.

Ensure your wireless connection is secure.

- Before installing a device, ensure your router's wireless signal is encrypted by selecting the "WPA2-PSK with AES" setting in your router's wireless security menu.

Change default settings.

- Change your wireless router's default wireless network name (SSID) to something unique.
- Change default passwords to unique, strong passwords. A strong password:
 - Is at least 10 characters long.

- Is complex.
- Does not contain dictionary words or personal information.
- Contains a mix of uppercase letters, lowercase letters, special characters and numbers.

Keep your devices up to date.

- Download security patches from manufacturers as soon as they become available. This will ensure you always have the latest security updates.
- If the feature is available, enable automatic updates for future releases.

Disable Universal Plug and Play (UPnP) on your router.

- UPnP enabled on a router can limit the effectiveness of your firewall by allowing other network devices to open inbound ports without any intervention or approval from you. A virus or other malware program could use this function to compromise security for the entire network.

For more information on wireless connections and protecting your data, please review the following resources from industry experts:

1. Federal Communications Commission: Wireless Connections and Bluetooth Security Tips – www.fcc.gov/consumers/guides/how-protect-yourself-online.
2. U.S. Department of Homeland Security: Before You Connect a New Computer to the Internet – www.us-cert.gov/ncas/tips/ST15-003.
3. Federal Trade Commission: Using IP Cameras Safely – <https://www.consumer.ftc.gov/articles/0382-using-ip-cameras-safely>.
4. Wi-Fi Alliance: Discover Wi-Fi Security – <http://www.wi-fi.org/discover-wi-fi/security>.

Connect

You can choose to set up the camera unit for desktop usage, wall mounting, or ceiling mounting.

NOTES

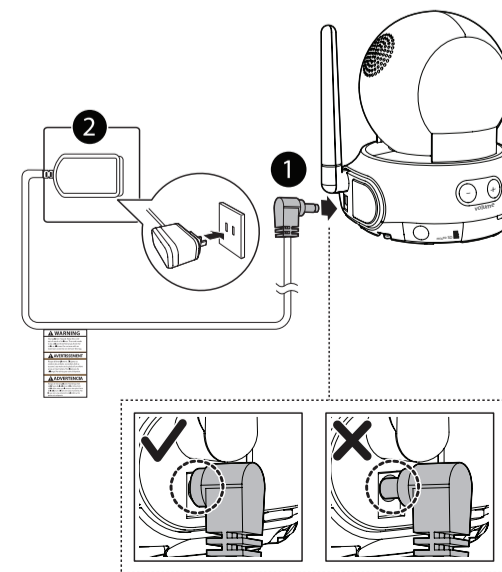
- Use only the power adapters supplied with this product.
- Make sure the parent unit and the camera unit are not connected to the switch controlled electric outlets.
- Connect the power adapters in a vertical or floor mount position only. The adapters' prongs are not designed to hold the weight of the parent unit and the camera unit, so do not connect them to any ceiling, under-the-table, or cabinet outlets. Otherwise, the adapters may not properly connect to the outlets.
- Make sure the parent unit, the camera unit and the power adapter cords are out of reach of children.

Connect the camera unit

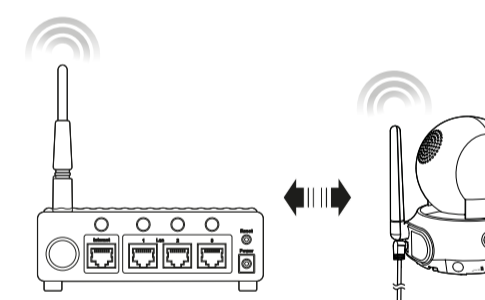
Wi-Fi connection

NOTES

- Before you connect the camera unit, make sure you have Internet access and a Wi-Fi router (IEEE 802.11 b/g/n). Charges apply and service plan may vary for Internet access. Router is not included.
- Do not plug in the network cable.
- To maintain compliance with the FCC's RF exposure guidelines, place the camera unit at least 20cm from nearby persons.



1. Connect the power adapter to the camera unit and a power supply.



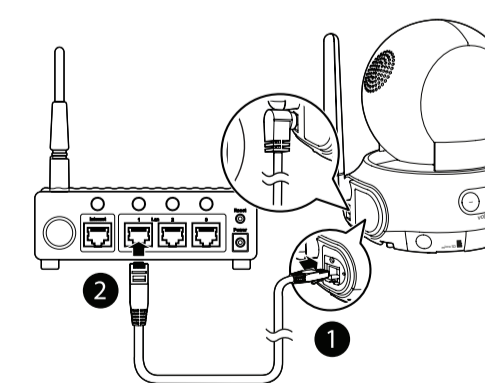
2. Place the camera unit at a desired place.

NOTE

- To turn off the camera unit, unplug the camera unit from the power supply.

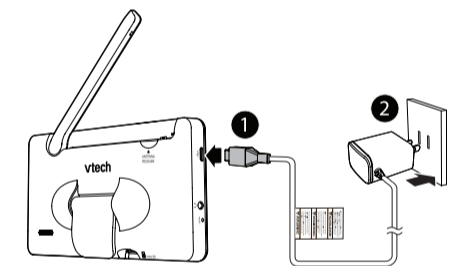
Cable connection (optional)

After you have paired the camera unit with your parent unit via Wi-Fi, you can connect the camera unit to the Internet using the network cable to optimize your Internet connection.



Read the following **Set up the HD video monitor** section to set up your parent unit and pair your camera units.

Connect and charge the parent unit

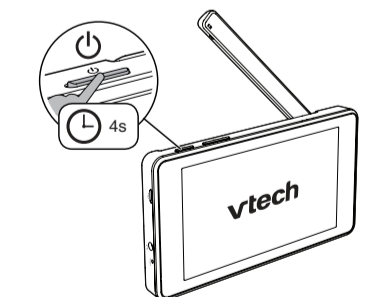


Charge before use

NOTES

- Charge the parent unit before use. The parent unit is fully charged after 2.5 hours of continuous charging.
- It takes longer to charge when the parent unit is turned on. To shorten the charging time, turn the parent unit off while charging.
- The standby time varies depending on your actual use.

After the parent unit is fully charged, **press and hold** to power on.



The battery icon indicates the battery status (see the following table).

BATTERY INDICATORS	BATTERY STATUS	ACTION
The screen displays	The battery has very little charge and may be used for only a short time.	Charge without interruption (about 30 minutes).
The battery icon becomes solid	The battery is fully charged.	To keep the battery charged, connect it to AC power when not in use.

1	+ / VOL / - • Press to increase or decrease the speaker volume.
2	Power button • Press and hold to power on or off, or to reboot the parent unit. • Press to turn on or off the screen display without powering off the parent unit. You can still hear sound from the camera unit if the camera is streaming in Single View and the speaker volume of the parent unit is turned on.
3	5-inch touch screen monitor
4	Microphone
5	Antenna
6	Speaker
7	micro SD card slot
8	RESET • Force reboot the parent unit.
9	3.5mm audio jack • Connect to stereo earphone.
10	USB jack • Connect to a power supply for charging.

