

Go to www.vtechphones.com to register your product for enhanced warranty support and the latest VTech product news.



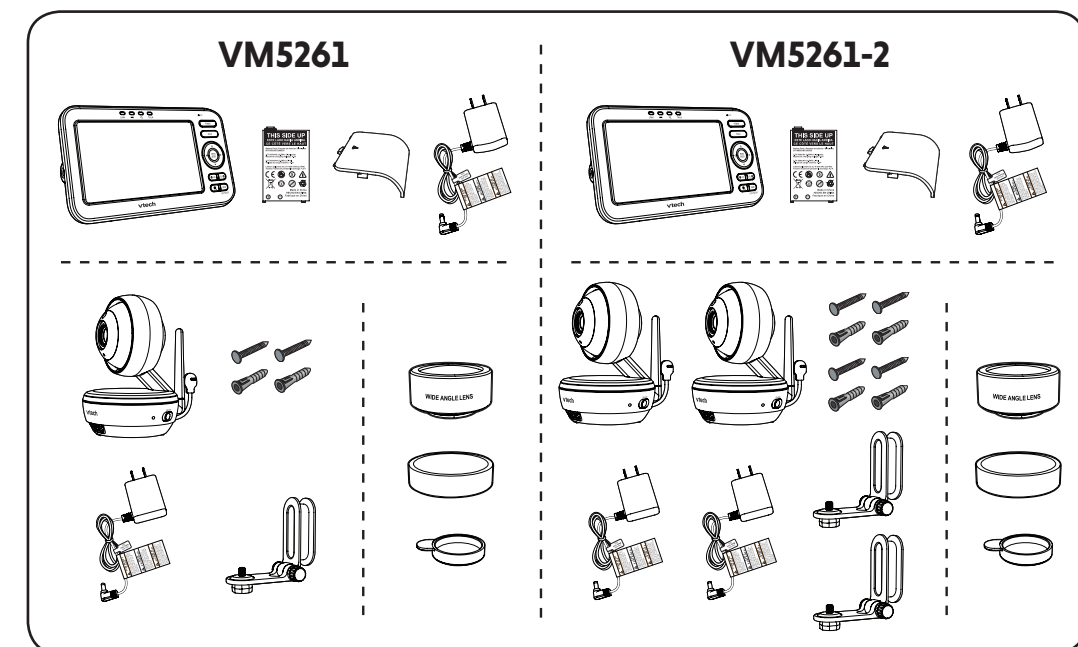
Quick start guide



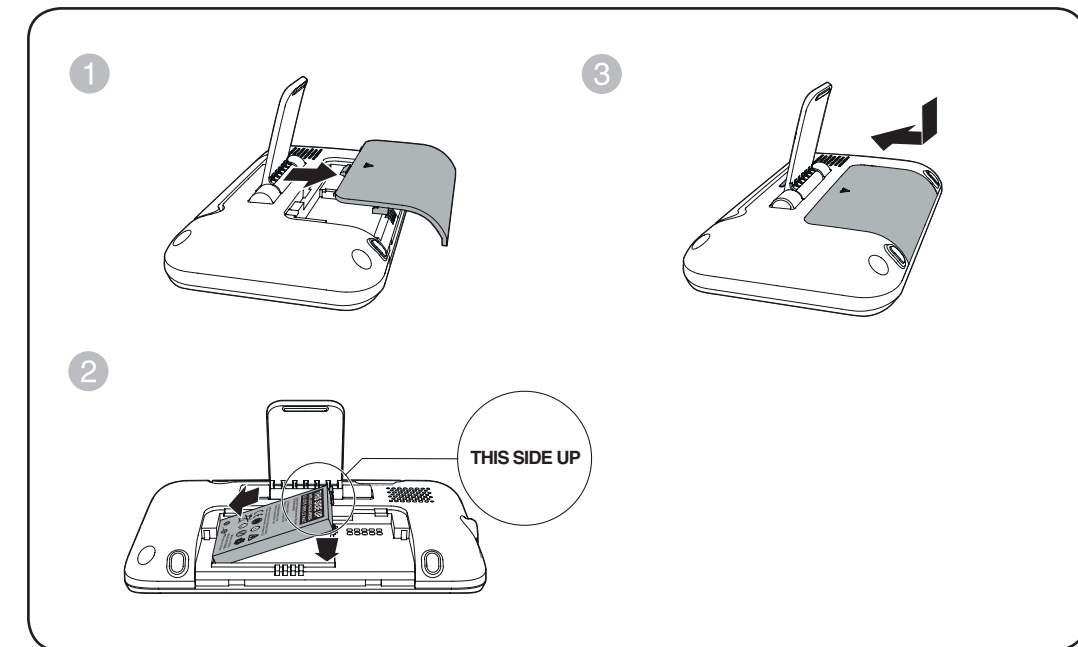
VM5261
VM5261-2

Full Color Video Monitor

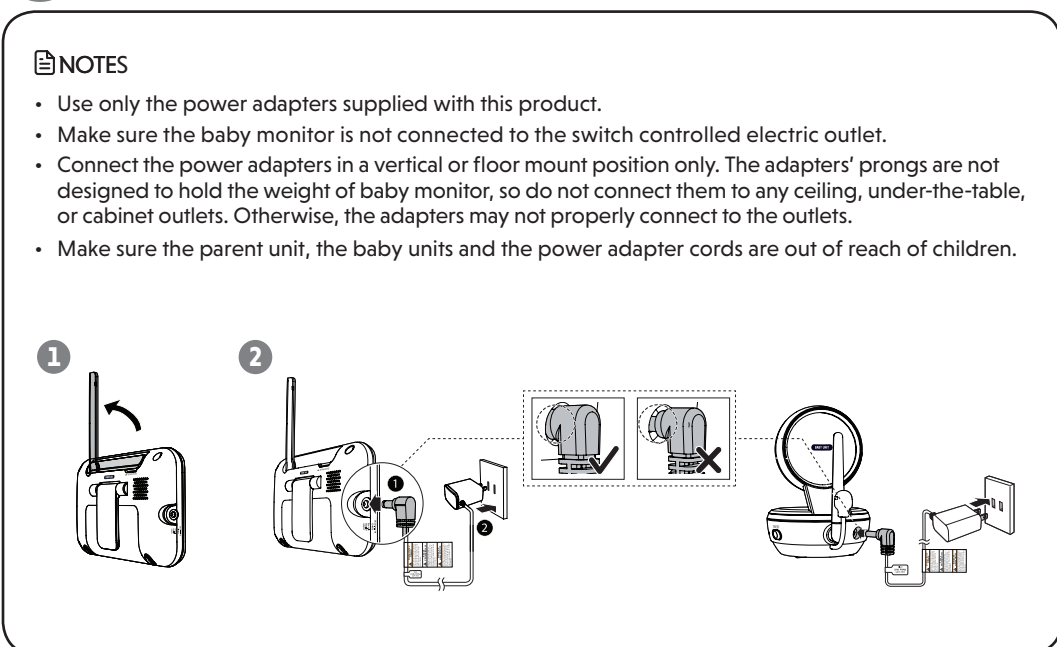
WHAT'S IN THE BOX



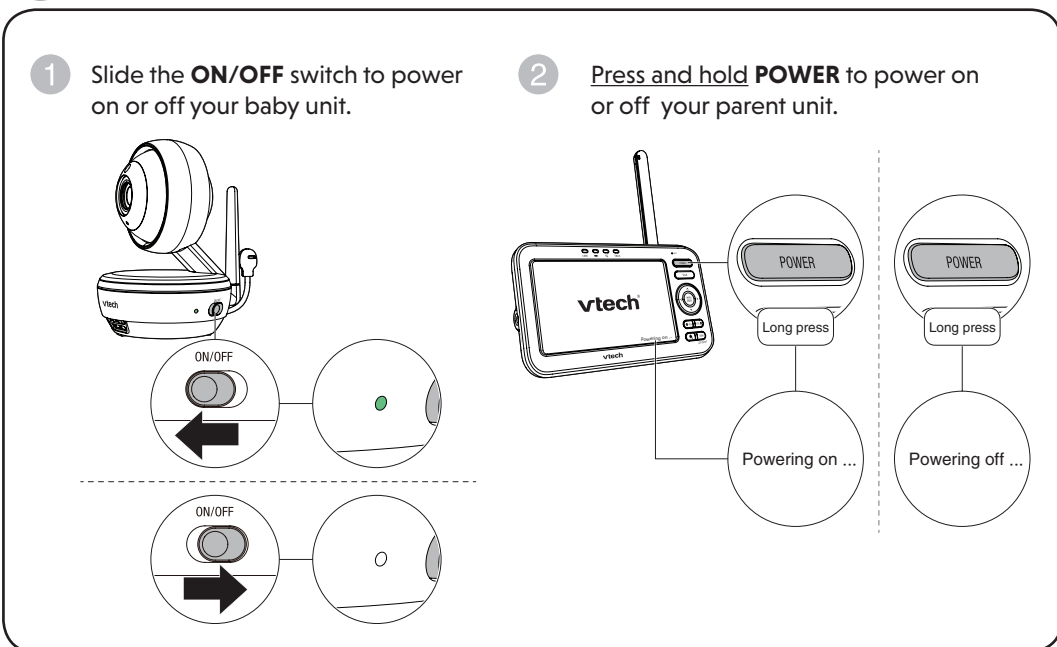
1 INSTALL THE BATTERY



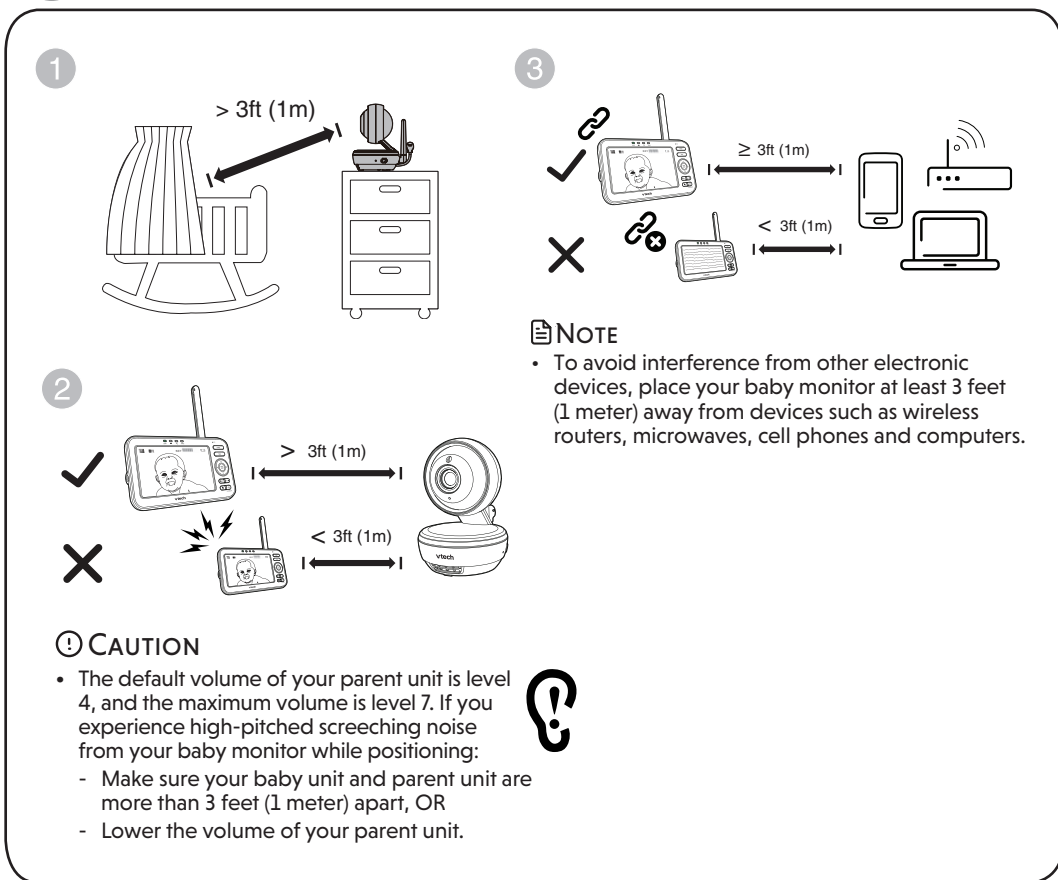
2 CONNECT THE BABY MONITOR



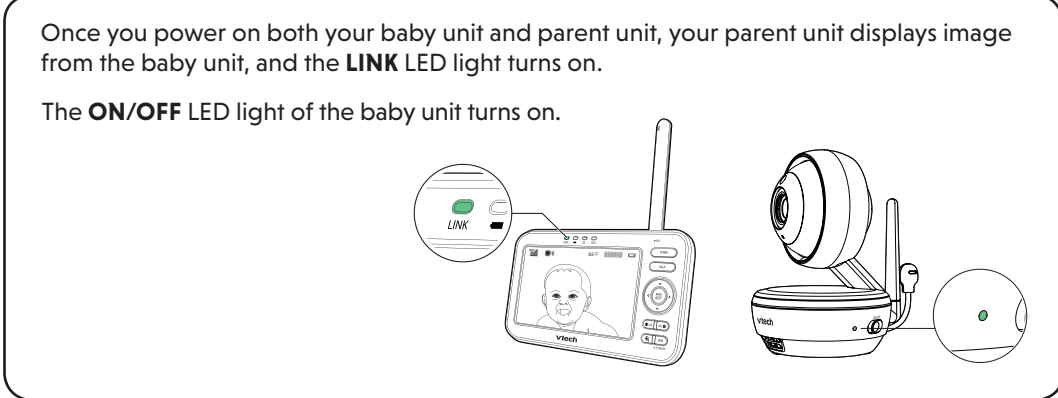
3 POWER ON OR OFF THE BABY MONITOR



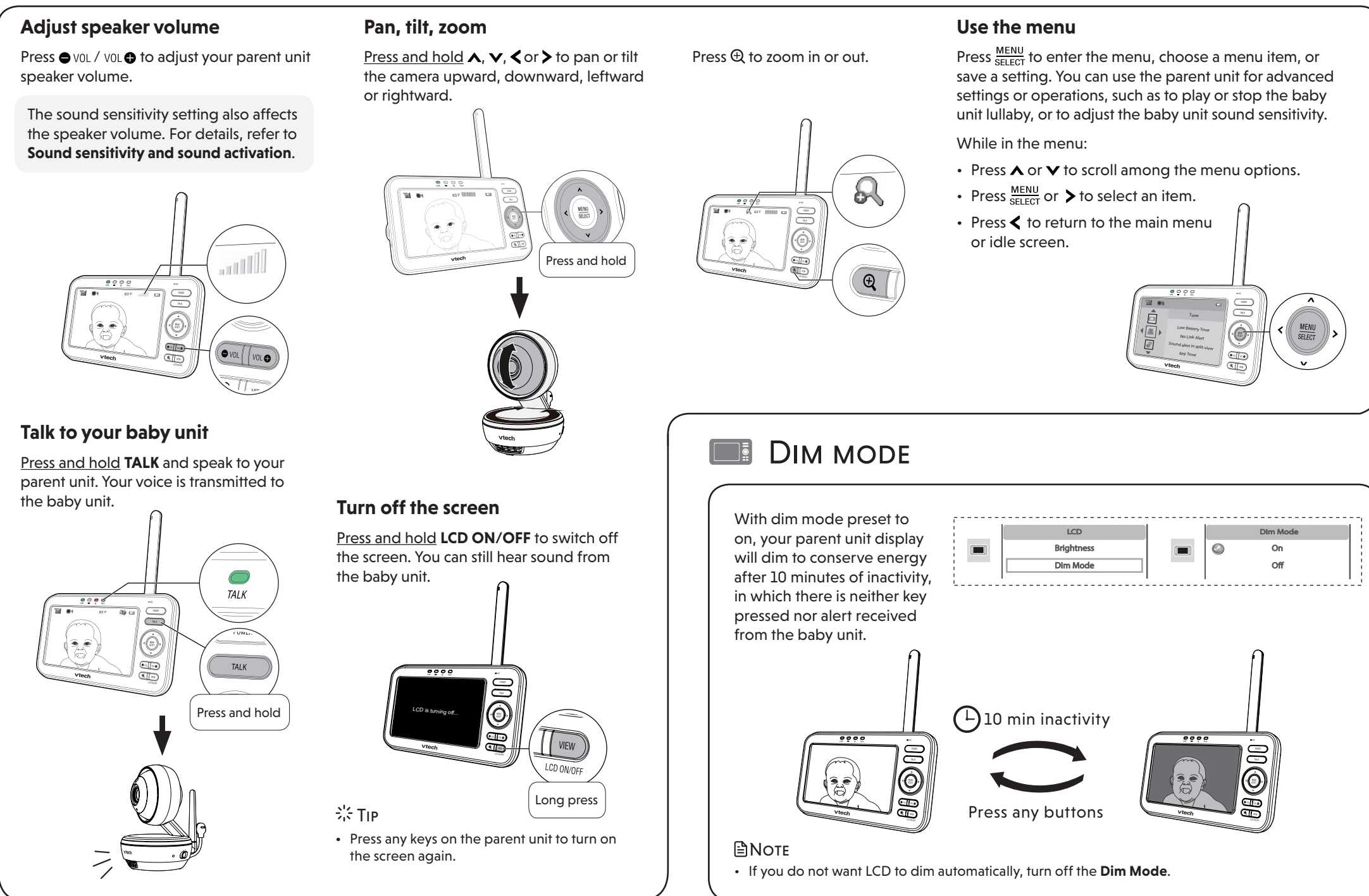
4 POSITIONING THE BABY MONITOR



5 STATUS CHECK

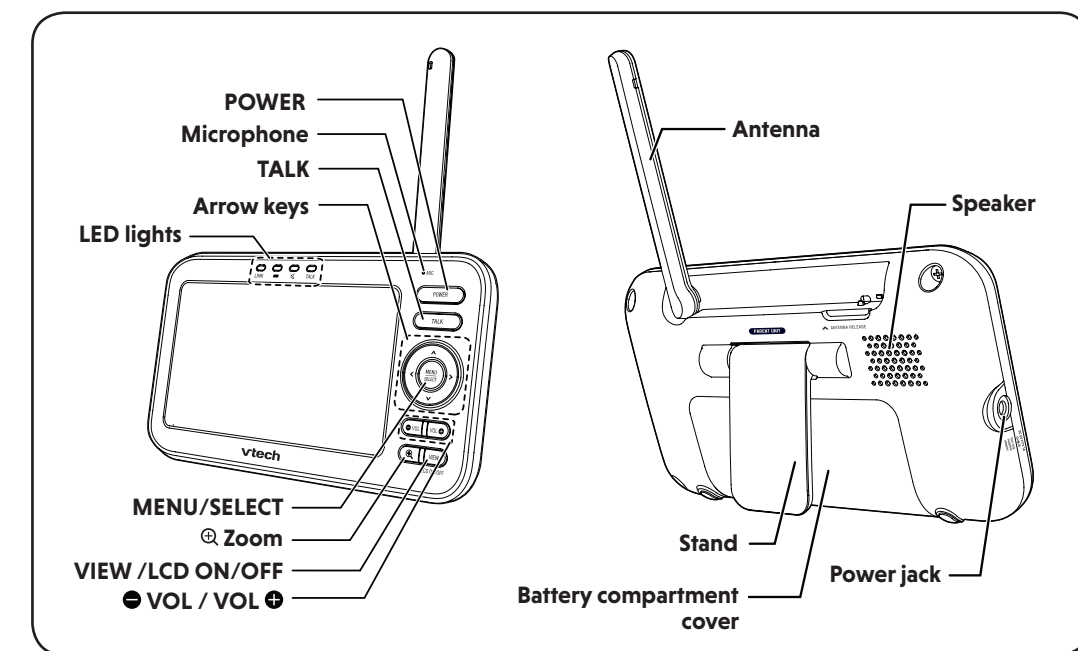


BASIC OPERATION - PARENT UNIT



Document order number: 96-012021-040-100
© 2019 VTech Communications, Inc. All rights reserved.
Specifications are subject to change without notice.

OVERVIEW - PARENT UNIT



SOUND SENSITIVITY AND SOUND ACTIVATION

Adjust sound detection sensitivity

With sound sensitivity setting, you can choose to hear sounds from the baby unit all the time, or to hear sounds that exceed a certain level.

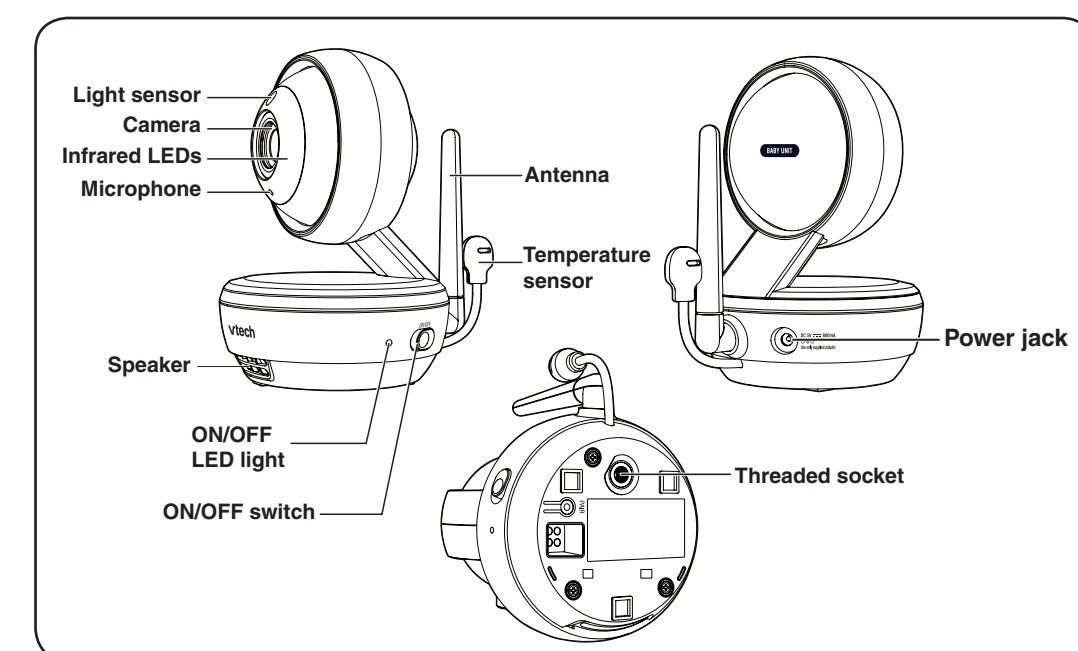
Parent unit setting	What happens...	You may experience...	What you could do...
Speaker volume: LOW	Hear all sounds all the time, including background sounds.	Difficulty in hearing your baby's soft sounds if the background sounds are louder.	<ul style="list-style-type: none"> Increase parent unit's speaker volume, and lower sound sensitivity. If you are using a white noise machine or sound machine, set its volume to low, or relocate it to minimize background sounds.
Sensitivity: Highest [Default]			
Speaker volume: MAX	Only hear sounds that exceed the selected sound sensitivity level.	No sound; or sounds that cut in and out at times as the baby unit may not detect extra soft sounds.	Increase the sound sensitivity, and adjust the volume level if necessary.
Sensitivity: Low / Medium			

For details, please see **Adjust the sound sensitivity of the baby unit** in the User's manual.

Sound activated screen

When sound activation is on, the parent unit screen stays off to save power when the baby unit detects no sound. Once the baby unit detects sounds that are louder than the chosen sound sensitivity level, the parent unit screen turns on automatically. It will then turn off again after 50 seconds of no sound detection.

OVERVIEW - BABY UNIT



NIGHT VISION

The baby unit has infrared LEDs that allow you to see your baby clearly at night or in a dark room. When the baby unit being viewed detects low light levels, the infrared LEDs are switched on automatically. The images from the baby unit are in black and white, and appears on the screen.

NOTES

- It is normal if you see a short white glare on your parent unit screen as the baby unit is adapting to the dark environment.
- When the infrared LEDs are on, the images are in black and white. This is normal.

TIP

- Depending on the surroundings and other interfering factors, like lightings, objects, colors and backgrounds, the video quality may vary. Adjust the baby unit's angle or place the baby unit at a higher level to prevent glare and blurry display.

INSTALL THE LENS (OPTIONAL)

The wide-angle lens (VM101) provided allows you to view more of your baby's room from the parent unit screen. Install the wide-angle lens onto the baby unit camera as shown below.

Remove the lens

NOTES

- When the lens is not in use, cover both sides of the lens with the lens covers provided to avoid scratches.
- You can purchase and install an extra new wide-angle lens (VM101) onto your baby unit if necessary.

MOUNT THE BABY UNIT (OPTIONAL)

NOTE

- The types of screws and anchors you need depend on the composition of the wall.

- Align the wall mount bracket and screws with the holes in the wall as shown. Tighten the screw in the middle hole first, so that the wall mount bracket position is fixed. You can tighten the other screw in the top hole.
- Place the baby unit on the wall mount bracket. Tighten the screw into the threaded socket at the bottom to secure the baby unit.
- You can maximize your baby unit's viewing angles by tilting the wall mount bracket. Hold the baby unit, and then rotate the knob in anticlockwise direction. This will loosen the joint of the wall mount bracket. Tilt your baby unit up or down to adjust to your preferred angle. Then, rotate the knob in clockwise direction to tighten the joint and secure the angle.

NOTE

- Check for reception strength and camera angle before drilling the holes.

Place the wall mount bracket on a wall and then use a pencil to mark the top and the bottom holes as shown. Remove the wall mount bracket and drill two holes in the wall (7/32 inch drill bit).

If you drill the holes into a stud, go to step 3.

-OR-

If you drill the holes into an object other than a stud, insert the wall anchors into the holes. Tap gently on the ends with a hammer until the wall anchors are flush with the wall.

FOR VM5261-2 ONLY

Status check - Two baby units

If you are viewing baby unit 1, the ON/OFF LED light of baby unit 1 turns on. As baby unit 2 is not being viewed, its ON/OFF LED light flashes.

Change different views - Single CAM

In **Single CAM** or **Patrol** mode, press **VIEW** to switch between the image of baby units 1 and 2.

Change different views - Patrol

Select **Patrol** as your monitoring mode to alternately view the image from baby units 1 and 2 every 10 seconds.

Change different views - Split

Select **Split** as your monitoring mode to view the images from both baby units at once.

NOTE

- If you power on only one baby unit, you may see the parent unit displaying **LINK** and then **No link to CAM #** (# represents the baby unit number), and the **LINK** LED light flashing. Press **VIEW** in **Single CAM** or **Patrol** mode to switch to the baby unit you have powered on.