

Go to www.vtechphones.com to register your product for enhanced warranty support and the latest VTech product news.

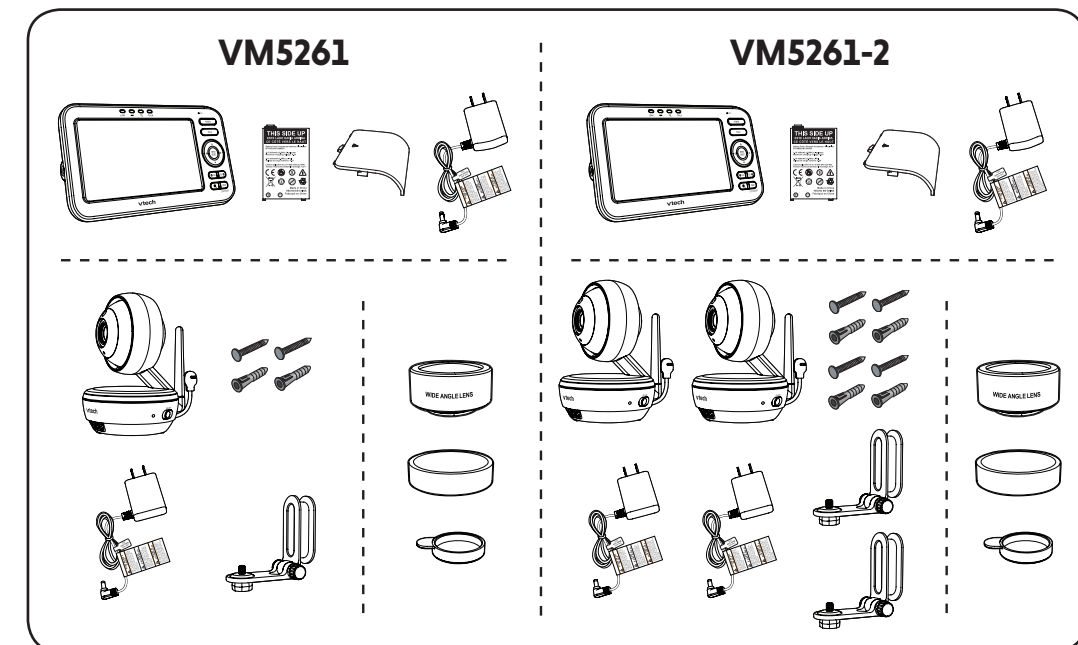


Quick start guide



VM5261
VM5261-2

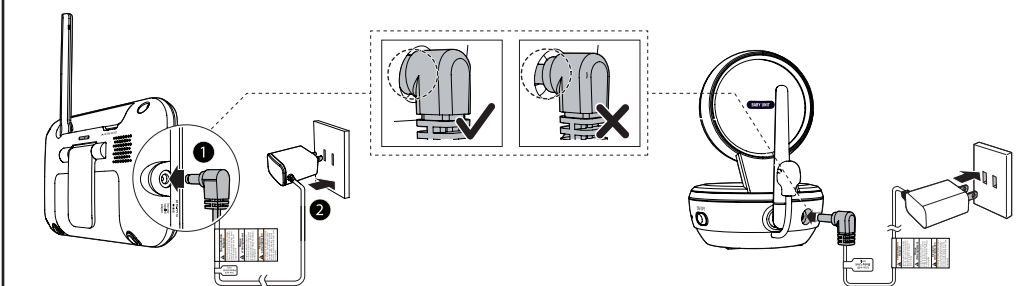
WHAT'S IN THE BOX



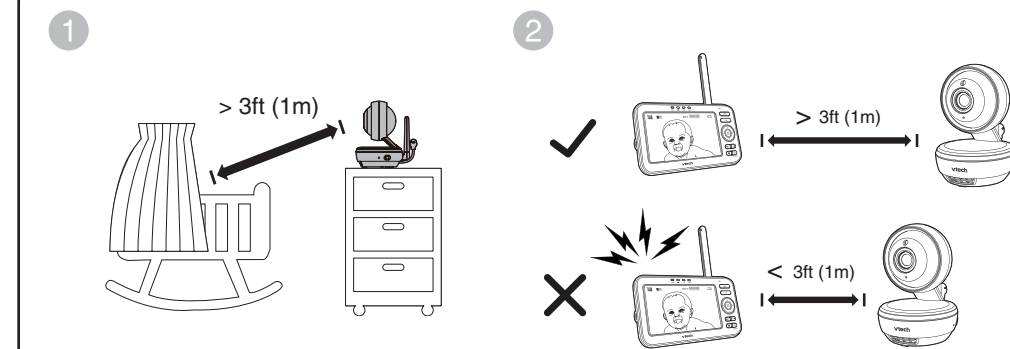
2 CONNECT THE BABY MONITOR

NOTES

- Use only the power adapters supplied with this product.
- Make sure the baby monitor is not connected to the switch controlled electric outlet.
- Connect the power adapters in a vertical or floor mount position only. The adapters' prongs are not designed to hold the weight of baby monitor, so do not connect them to any ceiling, under-the-table, or cabinet outlets. Otherwise, the adapters may not properly connect to the outlets.
- Make sure the parent unit, the baby units and the power adapter cords are out of reach of children.



4 POSITIONING THE BABY MONITOR



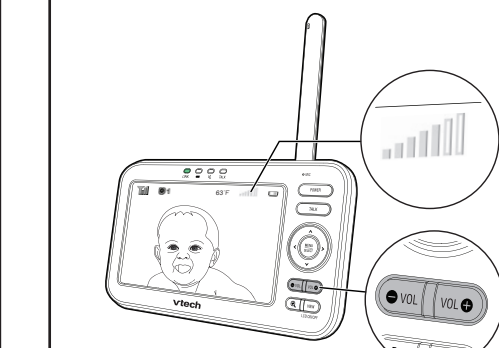
CAUTION

- The default volume of your parent unit is level 4, and the maximum volume is level 7. If you experience high-pitched screeching noise from your baby monitor while positioning:
 - Make sure your baby unit and parent unit are more than 3 feet (1 meter) apart, OR
 - Lower the volume of your parent unit.

BASIC OPERATION - PARENT UNIT

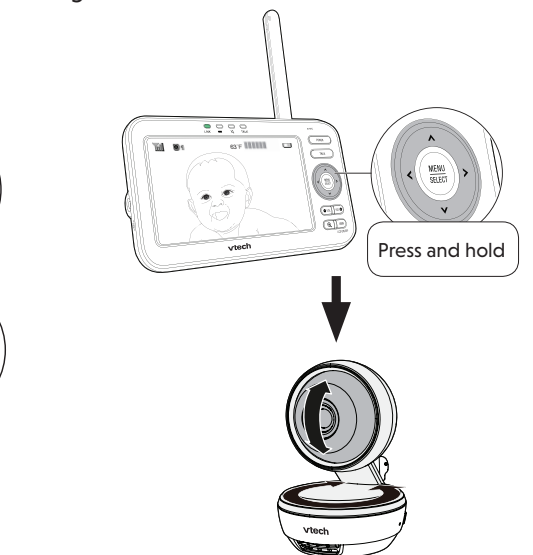
Adjust speaker volume

Press **VOL** / **VOL** to adjust your parent unit speaker volume. It determines the volume of sound transmitted from your baby unit.

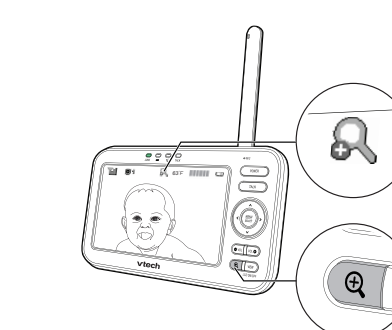


Pan, tilt, zoom

Press and hold **▲**, **▼**, **◀** or **▶** to pan or tilt the camera upward, downward, leftward or rightward.



Press **Q** to zoom in or out.

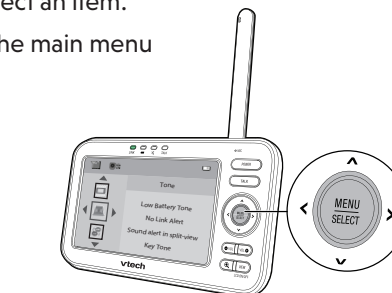


Use the menu

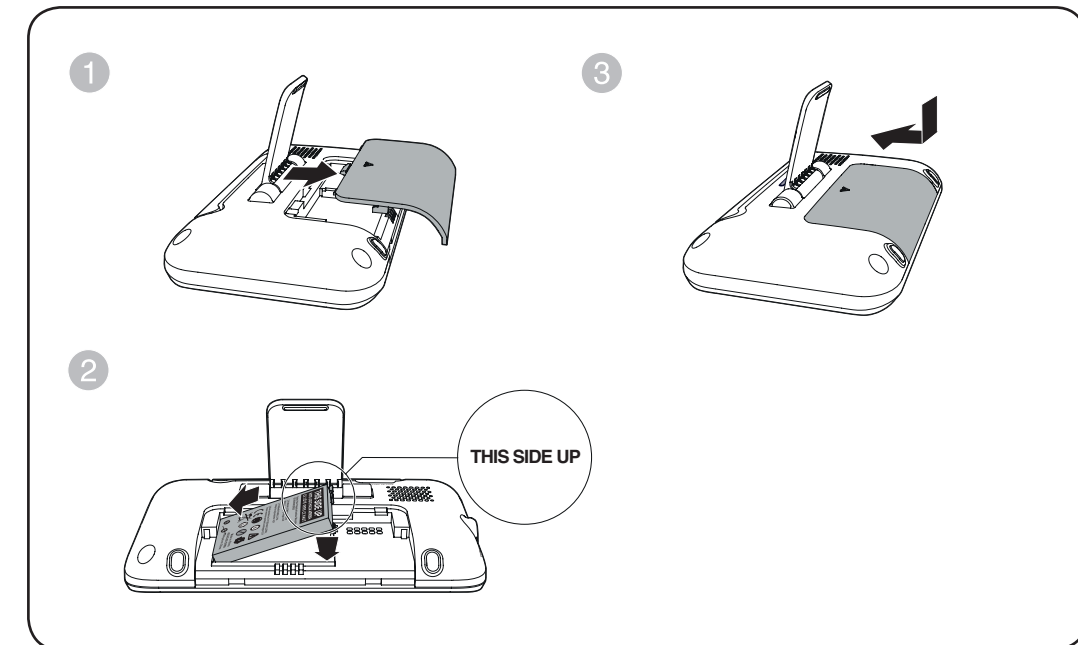
Press **MENU SELECT** to enter the menu, choose a menu item, or save a setting. You can use the parent unit for advanced settings or operations, such as to play or stop the baby unit lullaby, or to adjust the baby unit sound sensitivity.

While in the menu:

- Press **▲** or **▼** to scroll among the menu options.
- Press **MENU SELECT** or **▶** to select an item.
- Press **◀** to return to the main menu or idle screen.

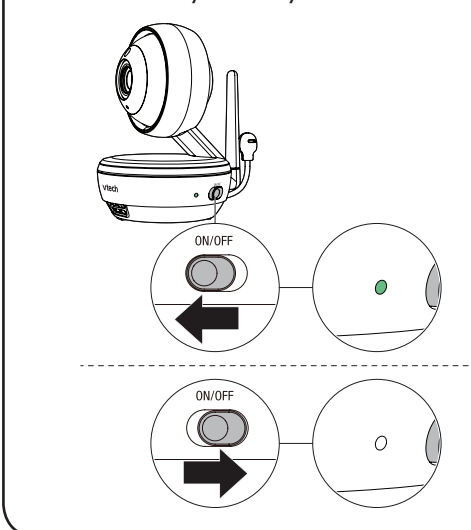


1 INSTALL THE BATTERY

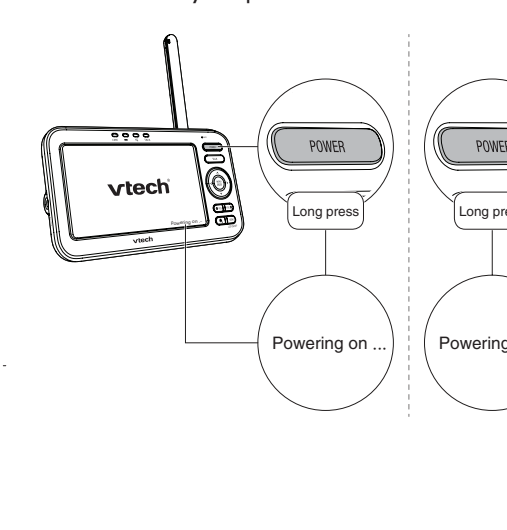


3 POWER ON OR OFF THE BABY MONITOR

1 Slide the **ON/OFF** switch to power on or off your baby unit.



2 Press and hold **POWER** to power on or off your parent unit.



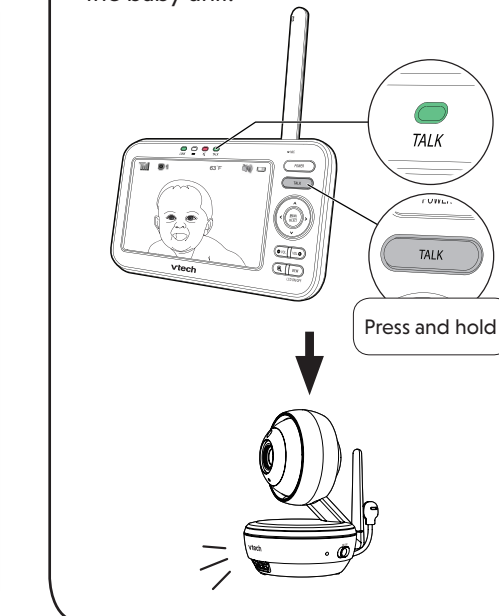
5 STATUS CHECK

Once you power on both your baby unit and parent unit, your parent unit displays image from the baby unit, and the **LINK** LED light turns on.



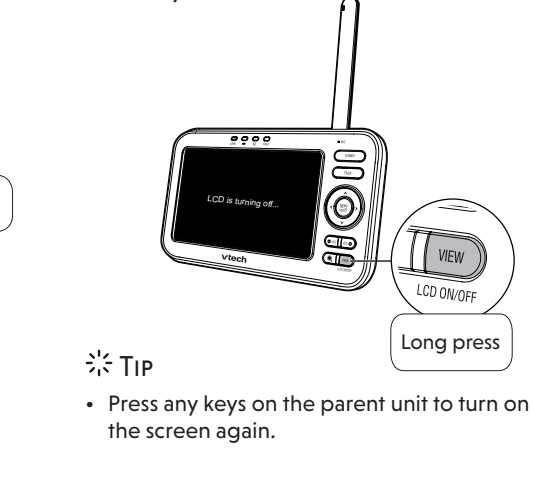
Talk to your baby unit

Press and hold **TALK** and speak to your parent unit. Your voice is transmitted to the baby unit.



Turn off the screen

Press and hold **LCD ON/OFF** to switch off the screen. You can still hear sound from the baby unit.

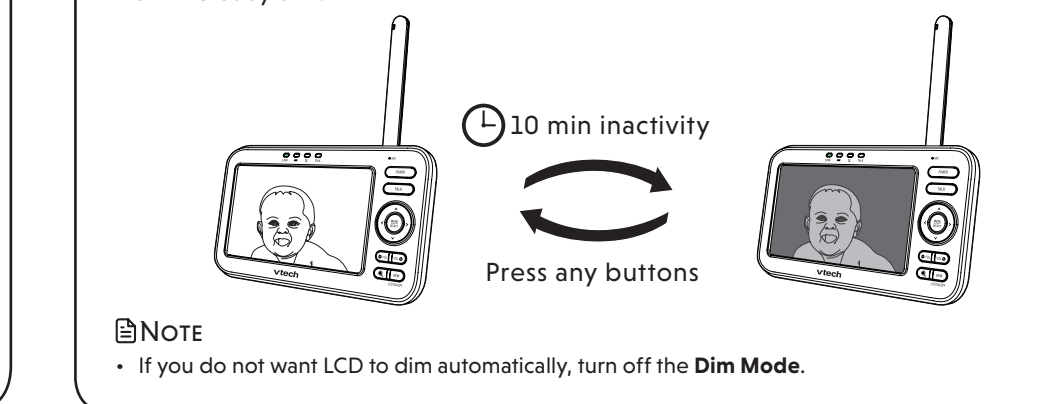
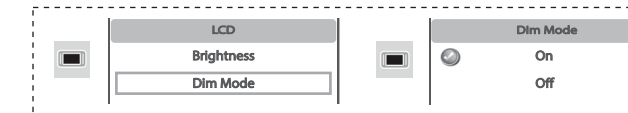


TIP

- Press any keys on the parent unit to turn on the screen again.

DIM MODE

With dim mode preset to on, your parent unit display will dim to conserve energy after 10 minutes of inactivity, in which there is neither key pressed nor alert received from the baby unit.



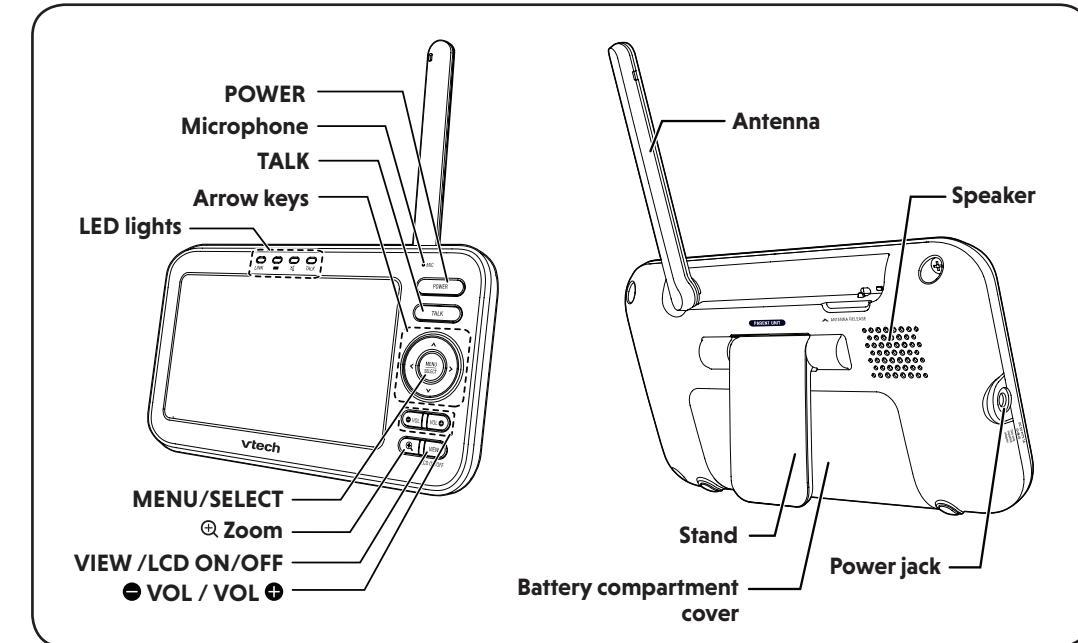
NOTE

- If you do not want LCD to dim automatically, turn off the **Dim Mode**.

Document order number: 96-012021-020-100
08/18 VM5261-2_QSG_VZ
© 2018 VTech Communications, Inc. All rights reserved.
Specifications are subject to change without notice.



OVERVIEW - PARENT UNIT



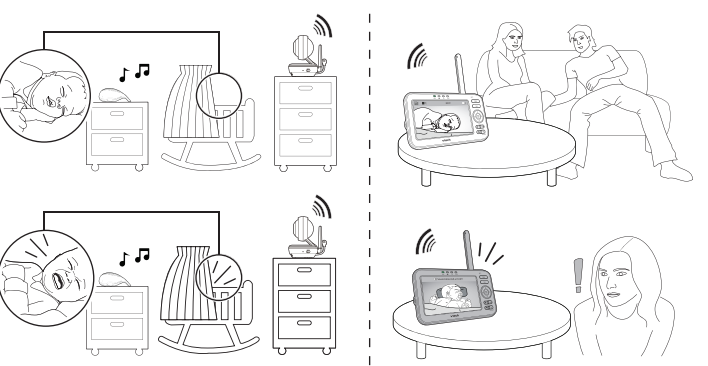
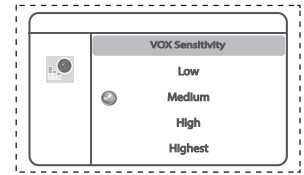
SOUND SENSITIVITY AND SOUND ACTIVATION

Sound sensitivity

With sound sensitivity setting, you can choose to hear sounds from the baby unit all the time, or to hear sounds that exceed a certain level. The default level **Highest** allows you to hear all sounds (including background noises).

If you set the sound sensitivity to a lower level (e.g. **Medium**), you will only hear sounds that exceed the selected level. The baby unit may not detect soft sounds, and the parent unit speaker may remain quiet.

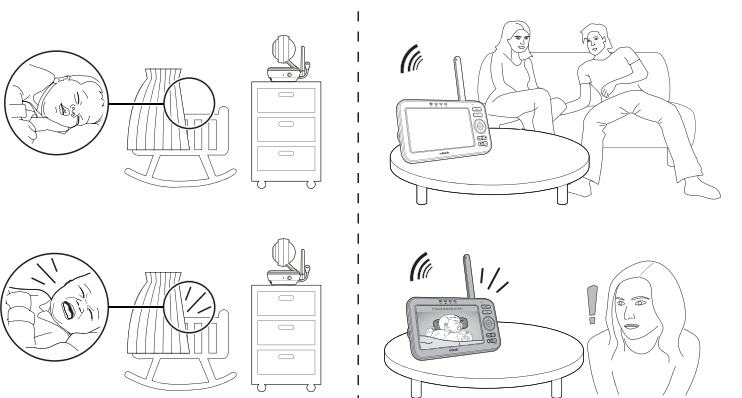
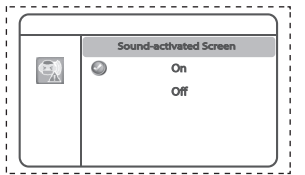
For details, please see **Adjust the sound sensitivity of the baby unit** in the User's manual.



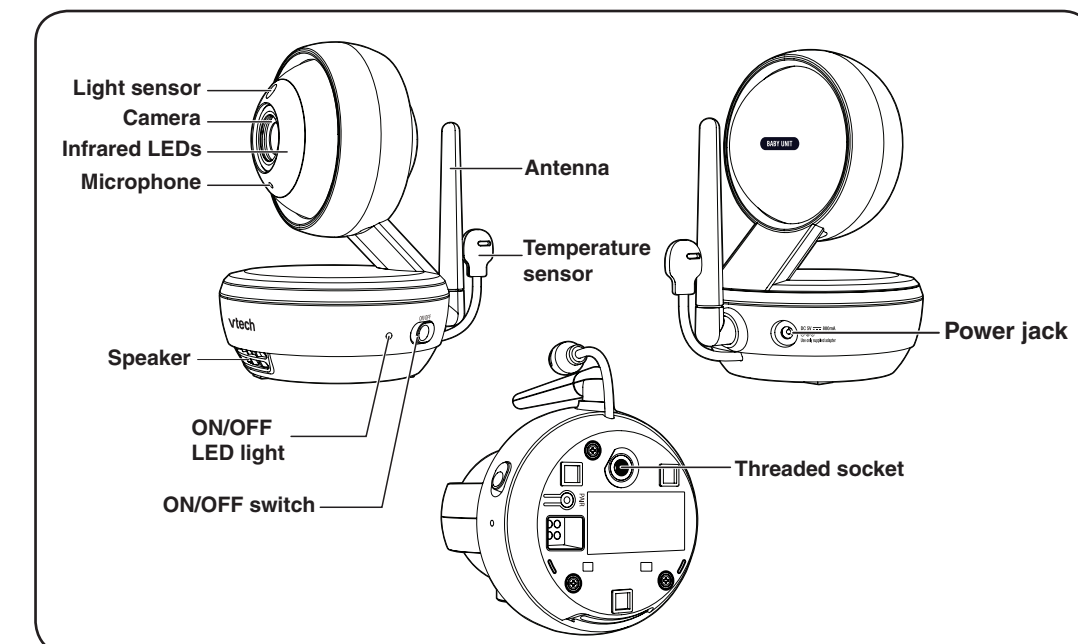
Sound activation

When sound activation is on, the parent unit screen stays off to save power when the baby unit detects no sound.

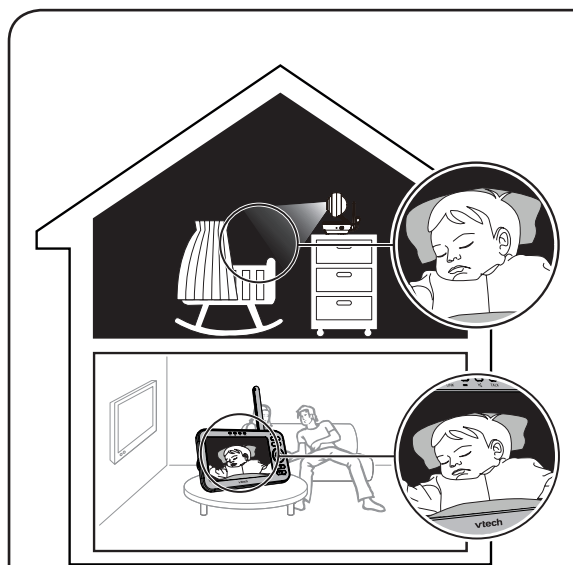
Once the baby unit detects sounds that are louder than the chosen sound sensitivity level, the parent unit screen turns on automatically. It will then turn off again after 50 seconds of no sound detection.



OVERVIEW - BABY UNIT



NIGHT VISION



The baby unit has infrared LEDs that allow you to see your baby clearly at night or in a dark room. When the baby unit being viewed detects low light levels, the infrared LEDs are switched on automatically. The images from the baby unit are in black and white, and appears on the screen.

NOTES

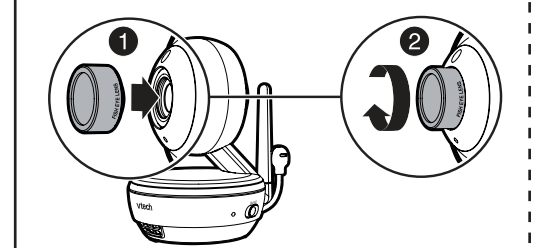
- It is normal if you see a short white glare on your parent unit screen as the baby unit is adapting to the dark environment.
- When the infrared LEDs are on, the images are in black and white. This is normal.

TIP

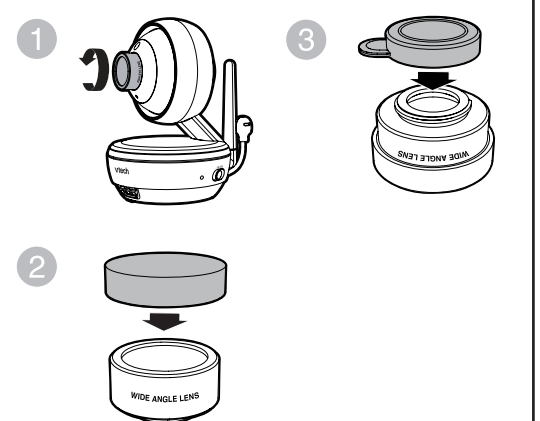
- Depending on the surroundings and other interfering factors, like lightings, objects, colors and backgrounds, the video quality may vary. Adjust the baby unit's angle or place the baby unit at a higher level to prevent glare and blurry display.

INSTALL THE LENS (OPTIONAL)

The wide-angle lens (**VM101**) provided allows you to view more of your baby's room from the parent unit screen. Install the wide-angle lens onto the baby unit camera as shown below.



Remove the lens



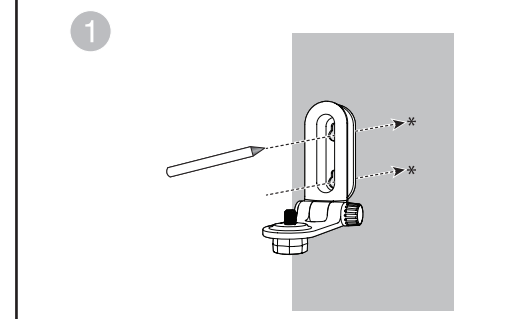
NOTES

- When the lens is not in use, cover both sides of the lens with the lens covers provided to avoid scratches.
- You can purchase and install an extra new wide-angle lens (**VM101**) onto your baby unit if necessary.

MOUNT THE BABY UNIT (OPTIONAL)

NOTE

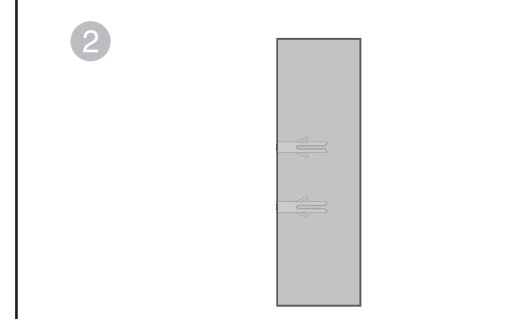
- The types of screws and anchors you need depend on the composition of the wall.



NOTE

- Check for reception strength and camera angle before drilling the holes.

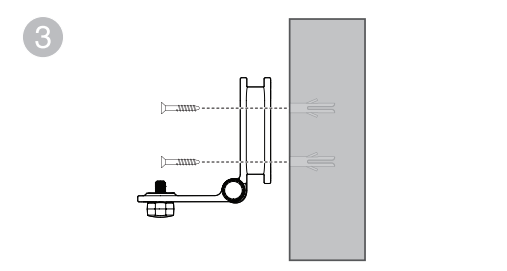
Place the wall mount bracket on a wall and then use a pencil to mark the top and the bottom holes as shown. Remove the wall mount bracket and drill two holes in the wall (7/32 inch drill bit).



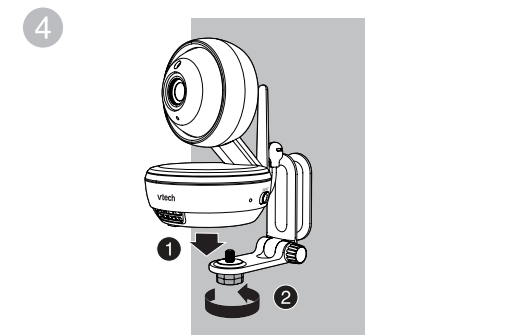
If you drill the holes into a stud, go to step 3.

-OR-

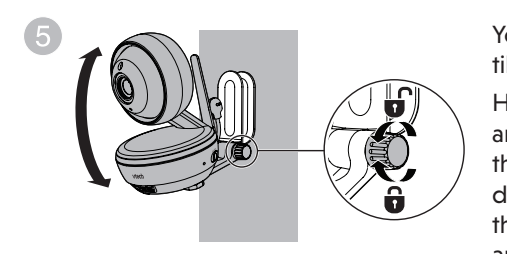
If you drill the holes into an object other than a stud, insert the wall anchors into the holes. Tap gently on the ends with a hammer until the wall anchors are flush with the wall.



Align the wall mount bracket and screws with the holes in the wall as shown. Tighten the screw in the middle hole first, so that the wall mount bracket position is fixed. You can tighten the other screw in the top hole.

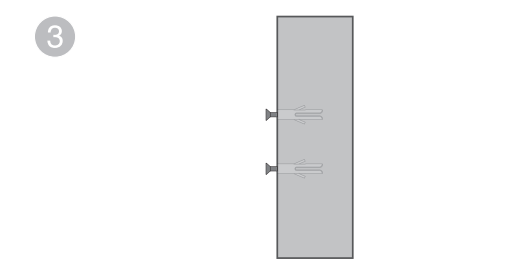


Place the baby unit on the wall mount bracket. Tighten the screw into the threaded socket at the bottom to secure the baby unit.



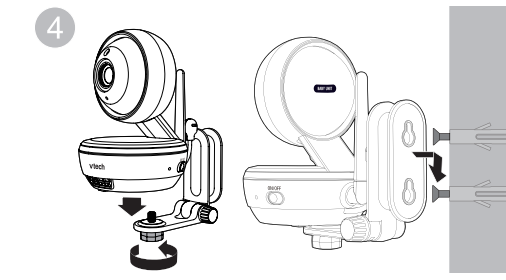
You can maximize your baby unit's viewing angles by tilting the wall mount bracket.

Hold the baby unit, and then rotate the knob in anticlockwise direction. This will loosen the joint of the wall mount bracket. Tilt your baby unit up or down to adjust to your preferred angle. Then, rotate the knob in clockwise direction to tighten the joint and secure the angle.



Insert the screws into the holes and tighten the screws until only 1/4 inch of the screws are exposed.

OR

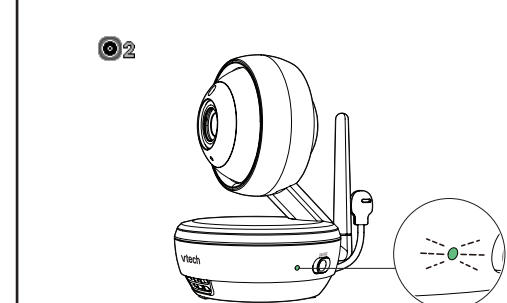
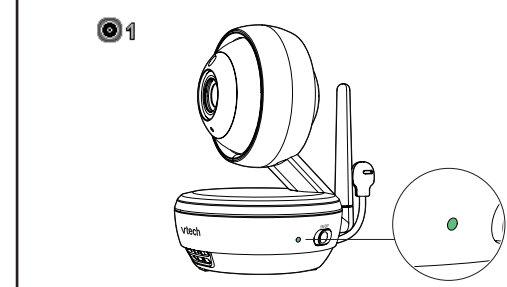


Place the baby unit on the wall mount bracket. Tighten the screw into the threaded socket at the bottom to secure the baby unit. Align the holes on the wall mount bracket with the screws on the wall, and slide the wall mount bracket down until it locks into place.

FOR VM5261-2 ONLY

Status check - Two baby units

If you are viewing baby unit ①, the **ON/OFF** LED light of baby unit ① turns on. As baby unit ② is not being viewed, its **ON/OFF** LED light flashes.

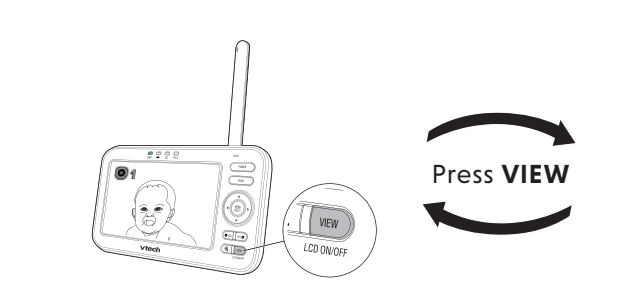


NOTE

- If you power on only one baby unit, you may see the parent unit displaying and then **No link to CAM #** (# represents the baby unit number), and the **LINK** LED light flashing. Press **VIEW** in **Single CAM** or **Patrol** mode to switch to the baby unit you have powered on.

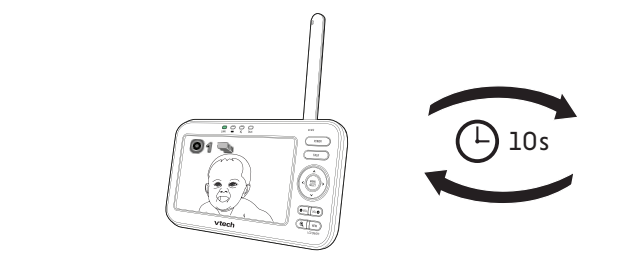
Change different views - Single CAM

In **Single CAM** or **Patrol** mode, press **VIEW** to switch between the image of baby units ① and ②.



Change different views - Patrol

Select **Patrol** as your monitoring mode to alternately view the image from baby units ① and ② every 10 seconds.



Change different views - Split

Select **Split** as your monitoring mode to view the images from both baby units at once.

