





## PARENT UNIT ICONS (CONT'D)

### Status icons

**Connection status**

- Strong signal strength.
- Moderate signal strength.
- Low signal strength.
- Weak signal strength.

**Split mode**  
(\*For VM5255-2 only)

**Patrol mode**  
(\*For VM5255-2 only)

**Current view status**

- The baby unit number that is being viewed when in:
  - Single CAM mode.
  - Patrol mode (\*For VM5255-2 only).
  - Split mode (\*For VM5255-2 only).

**Night vision** - On

**Zoom** - On

**Lullaby** - On

**Night light** - On

**Night light - Auto-on**

- Color icon indicates the night light is set to auto-on, and is currently turned on by sound activation.
- Gray icon indicates the night light is currently off but is set to auto-on. Night light will turn on when sound is detected by the baby unit.

### Status icons

°F or °C

**Real-time temperature**

- Real-time temperature detected by the baby unit in Fahrenheit (°F) or Celsius (°C) (e.g. 57°F or 14°C).

**Temperature alert tone** - On

**9-level sound indicator**

- Indicates low sound level detected by the baby unit.
- Indicates moderate sound level detected by the baby unit.
- Indicates high sound level detected by the baby unit.

**Mute alert**

- Displays when the parent unit speaker volume is set to off.
- Displays when the parent unit is talking to the baby unit.

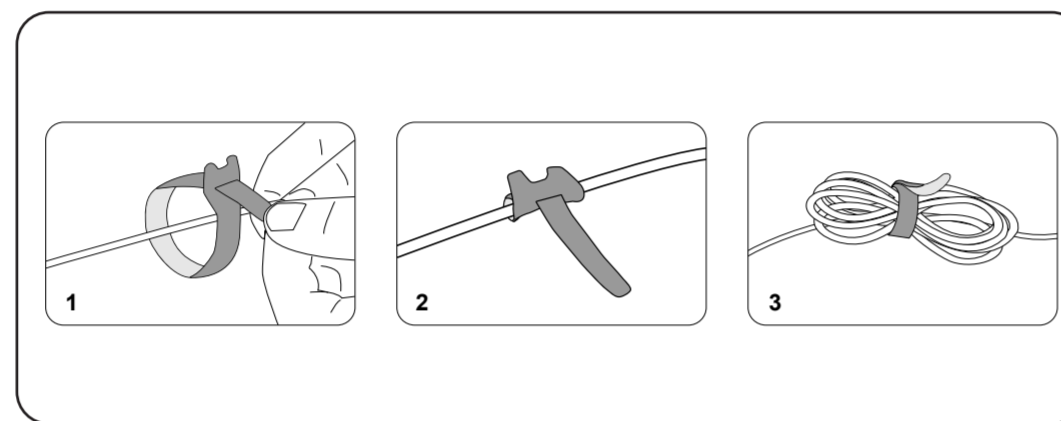
**Battery status**

- Animates when the battery is charging.
- Battery is fully charged.
- Battery is low and needs charging.

### Alert icons

- Displays when parent unit's battery is low and needs charging.
- Displays when connection between parent unit and baby unit is lost.
- Displays when sound is detected at a baby unit when in **Split** view (For VM5255-2 only).
- Baby unit detects temperature reaches or exceeds the set maximum.
- Baby unit detects temperature is at or is lower than the set minimum.

## CABLE MANAGEMENT



## SOUND SENSITIVITY AND SOUND ACTIVATION

### Adjust sound detection sensitivity

You can turn on **Sound activation** and adjust the **VOX sensitivity** to detect sounds and turn on the parent unit while its screen is switched off or dimmed.

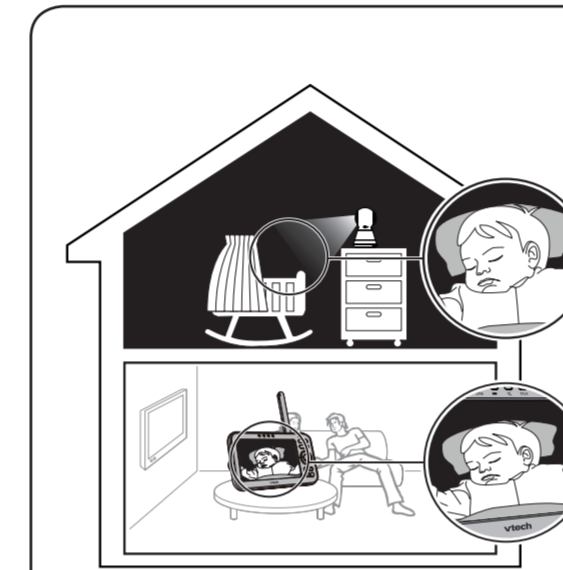
When the baby unit detects sounds that exceed certain levels, the parent unit screen turns on, the baby unit starts transmitting sounds to the parent unit, and you can see and hear your baby. If you have turned on the **Night light Auto-on** feature, it will turn on automatically to soothe your baby.

If you turn off **Sound activation**, you will hear sounds from the baby unit all the time, even when the parent unit screen is switched off.

If you have turned on sound alert, the parent unit beeps when the baby unit detects sounds while in **Split** mode (\*For VM5255-2 only).

VOX SENSITIVITY LEVEL	Level 5 (Highest)	Level 4 (High)	Level 3 (Medium)	Level 2 (Low)	Level 1 (Lowest)
DESCRIPTION (Default setting)	The parent unit screen and speaker turn on for very small sounds, including background noises from your baby's room.	The parent unit screen and speaker turn on for soft babbling and louder sounds from your baby. The parent unit remains quiet when your baby sleeps soundly.	The parent unit screen and speaker turns on for loud babbling and louder sounds from your baby. The parent unit remains quiet when your baby makes soft sounds.	The parent unit screen and speaker turn on for crying and louder sounds from your baby. The parent unit remains quiet when your baby makes soft sounds.	The parent unit screen and speaker turn on for loud crying or screaming sounds from your baby. The parent unit remains quiet when your baby makes soft sounds.

## NIGHT VISION



The baby unit has infrared LEDs that allow you to see your baby clearly at night or in a dark room. When the baby unit being viewed detects low light levels, the infrared LEDs are switched on automatically. The images from the baby unit are in black and white, and appears on the screen.

**NOTES**

- It is normal to see a short white glare on your parent unit screen when the baby unit emits infrared light.
- When the infrared LEDs are on, it is normal for the images to be in black and white.

**TIP**

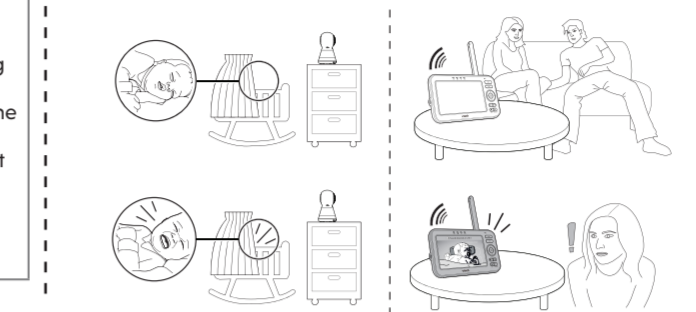
- Depending on the surroundings and other interfering factors, for example, lighting, objects, colors and backgrounds, the image quality may vary. Adjust the baby unit angle or place the baby unit at a higher location to prevent glare and a blurred display.

### Sound activated screen and audio

When **Sound activation** is on, the parent unit screen stays off to save power when the baby unit detects no sound. Once the baby unit detects sounds that are louder than the chosen sound sensitivity level, the parent unit screen and speaker turn on automatically. The parent unit will then turn off again after 50 seconds of no sound detection.

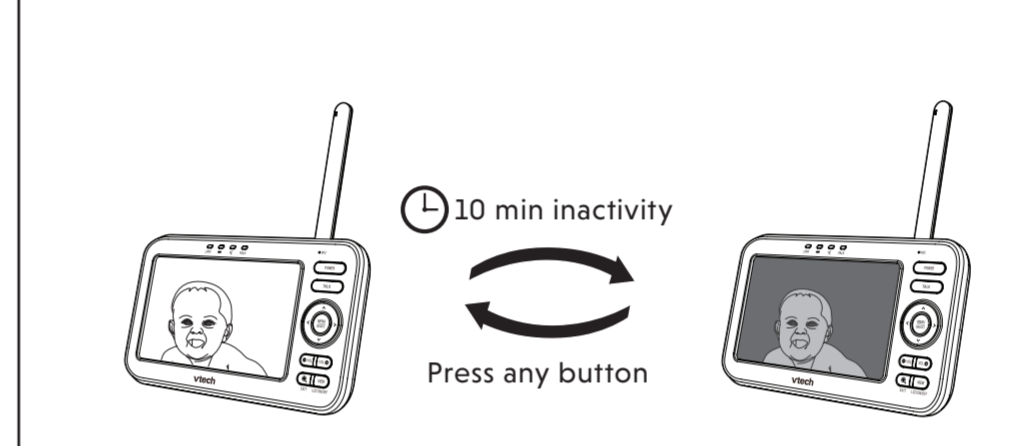
**NOTE**

- If you have muted the parent unit speaker, only the parent unit screen will turn on when a sound is detected.



## DIM MODE

The parent unit display will turn off to conserve energy after 10 minutes of inactivity, in which there is neither key pressed nor alert received from the baby unit.



## MOUNT THE BABY UNIT ON DRY WALL (OPTIONAL)

**NOTES**

- Check for reception strength and camera angle before drilling the holes.
- The types of screws and anchors you need depend on the composition of the wall. You may need to purchase the screws and anchors separately to mount your camera units.

- Place the wall mount bracket on a wall and then use a pencil to mark two holes in parallel. Remove the wall mount bracket and drill two holes in the wall (7/32 inch drill bit).
- If you drill the holes into a stud, go to step 3. If you drill the holes into an object other than a stud, insert the wall anchors into the holes. Tap gently on the ends with a hammer until the wall anchors are flush with the wall.
- Align the wall mount bracket and screws with the holes in the wall as shown. Tighten the screw in the middle hole first, so that the wall mount bracket position is fixed. You can tighten the other screw in the top hole.
- Insert the screws into the holes and tighten the screws until only 1/4 inch of the screws are exposed. Place the camera unit on the wall mount bracket, and then slide it forward until it locks into place.
- Align the holes on the wall mount bracket with the screws on the wall, and slide the wall mount bracket down until it locks into place.

**OR**

- Place the camera unit on the wall mount bracket, and then slide it forward until it locks into place. Connect the power adapter to the camera unit and a power supply.
- You can maximize your camera unit's viewing angles by tilting the wall mount bracket. Hold the camera unit, and then rotate the knob in an anti-clockwise direction. This will loosen the joint of the wall mount bracket. Tilt your camera unit up or down to adjust to your preferred angle. Then, rotate the knob in a clockwise direction to tighten the joint and secure the angle.

## THE RBRC SEAL

The RBRC seal on the Li-ion battery indicates that VTech Communications, Inc. is voluntarily participating in an industry program to collect and recycle these batteries at the end of their useful lives, when taken out of service within the United States and Canada.

The program provides a convenient alternative to placing used Li-ion batteries into the trash or municipal waste, which may be illegal in your area. VTech's participation makes it easy for you to drop off the spent battery at local retailers participating in the program or at authorized VTech product service centers. Please call 1 (800) 8 BATTERY for information on Li-ion battery recycling and disposal bans/restrictions in your area. VTech's involvement in this program is part of its commitment to protecting our environment and conserving natural resources.

The RBRC seal and 1-800-8-BATTERY® are registered trademarks of Call2recycle, Inc.

## FCC AND IC REGULATIONS

**FCC Part 15**

This equipment has been tested and found to comply with the requirements for a Class B digital device under Part 15 of the Federal Communications Commission (FCC) rules. These requirements are intended to provide reasonable protection against harmful interference in a residential installation. This equipment generates, uses, and can radiate radio frequency energy and, if not installed and used in accordance with the instructions, may cause harmful interference to radio communications. However, there is no guarantee that interference will not occur in a particular installation. If this equipment does cause harmful interference to radio or television reception, which can be determined by turning the equipment off and on, the user is encouraged to try to correct the interference by one or more of the following measures:

- Reorient or relocate the receiving antenna.
- Increase the separation between the equipment and receiver.
- Connect the equipment into an outlet on a circuit different from that to which the receiver is connected.
- Consult the dealer or an experienced radio/TV technician for help.

**WARNING:** Changes or modifications to this equipment not expressly approved by the party responsible for compliance could void the user's authority to operate the equipment.

This device complies with Part 15 of the FCC rules. Operation is subject to the following two conditions: (1) this device may not cause harmful interference, and (2) this device must accept any interference received, including interference that may cause undesired operation.

To ensure safety of users, the FCC has established criteria for the amount of radio frequency energy that can be safely absorbed by a user or bystander according to the intended usage of the product. This product has been tested and found to comply with the FCC criteria. The baby unit shall be installed and used such that all persons' body are maintained at a distance of approximately 8 in (20 cm) or more. The transmitter and antenna of the parent unit shall be held at least 1 in (2.5 cm) from your face.

This Class B digital apparatus complies with Canadian requirement: CAN ICES-3 (B)/NMB-3(B)

**Industry Canada**

This device contains licence-exempt transmitter(s)/receiver(s) that comply with Innovation, Science and Economic Development Canada's licence-exempt RSS(s). Operation is subject to the following two conditions: (1) This device may not cause interference. (2) This device must accept any interference, including interference that may cause undesired operation of the device.

The term "IC" before the certification/registration number only signifies that the Industry Canada technical specifications were met.

This product meets the applicable Innovation, Science and Economic Development Canada technical specifications.

**RF radiation exposure statement**

The baby unit complies with FCC RF radiation exposure limits set forth for an uncontrolled environment. The baby unit should be installed and operated with a minimum distance of 8 in (20 cm) between the baby unit and all persons' body. Use of other accessories may not ensure compliance with FCC RF exposure guidelines. This transmitter must not be co-located or operating in conjunction with any other antenna or transmitter. This equipment complies also with Industry Canada RSS-102 with respect to Canada's Health Code 6 for Exposure of Humans to RF Fields.

## CALIFORNIA ENERGY COMMISSION BATTERY CHARGING TESTING MODE

This baby monitor meets the California Energy Commission (CEC) regulations for energy consumption. Your baby monitor is set up to comply with the energy-conserving standards right out of the box. Follow the instructions to install and charge the battery. The CEC battery charging testing mode is activated while charging. Even if the parent unit is paired to baby units, the CEC battery charging testing mode is activated while it is powered off and charging.

## FOR CETL COMPLIANCE ONLY

**Measures de sécurité importantes**

La plaque signalétique appliquée est située au bas du socle de l'unité du bébé.

Lorsque vous utilisez votre appareil, vous devriez toujours suivre certaines mesures de précaution de base afin de réduire les risques d'incendie, d'électrocution et de blessures corporelles, dont ceux qui suivent:

- Observez toutes les instructions et mises en garde inscrites sur l'appareil.
- L'installation par un adulte est requise.
- MISE EN GARDE:** N'installez pas l'unité du bébé à une hauteur supérieure à 2 mètres.
- Ce produit ne remplace pas la surveillance adulte du nourrisson. La supervision du nourrisson est la responsabilité du parent ou de la personne qui s'occupe de l'enfant. Ce produit pourrait cesser de fonctionner et, par conséquent, vous ne devriez pas présumer qu'il continuera de fonctionner correctement pendant une période de temps donnée. De plus, il ne s'agit pas d'un instrument médical et ne devrait pas être utilisé comme tel. Ce produit est destiné à vous aider à superviser votre bébé.
- N'utilisez pas cet appareil près de l'eau ni de toute autre source d'humidité, par exemple, près d'une baignoire, cuve à lessive, évier de cuisine, dans un sous-sol humide ni près d'une piscine, dans un sous-sol humide ou une douche.
- MISE EN GARDE:** Utilisez uniquement les piles fournies. Il existe un risque d'explosion si un autre type de batterie est utilisé pour l'unité Parents. N'incinerez pas les piles. Celles-ci risquent d'exploser. Jetez les piles usées selon les renseignements suivant le sceau du RBRC.
- N'utilisez que les adaptateurs inclus avec ce produit. L'utilisation d'un adaptateur ou la tension sera inférieure risque d'endommager sérieusement le produit et mettre votre sécurité en péril.

**CONSERVER CES INSTRUCTIONS**

- Utilisez et entreposez le produit à une température entre 0° C (32° F) et 40° C (104° F).
- N'exposez pas cet appareil à des froids ou des chaleurs extrêmes, ainsi qu'à la lumière directe du soleil. Ne l'installez pas près d'une source de chauffage.
- Le bloc d'alimentation que vous exposez à la chaleur excessive telle que la lumière du soleil ou au feu.

**Information sur les piles rechargeables:**

Li-ion battery, 3.8V 2100mAh  
Zhongshan Tianmao Battery Co., Ltd.  
Model Number: BP1763

- Lorsqu'ils sont branchés dans une prise de courant, les adaptateurs secteur ont été conçus pour être orientés correctement, soit à la verticale ou au plancher. Les broches ne doivent pas être pliées et les adaptateurs doivent être correctement insérés dans la prise d'alimentation et le maintenir en place si celui-ci est branché dans une prise au plafond, sous une table ou dans un meuble.

**Stimulateurs cardiaques implantés dans l'organisme**

Les stimulateurs cardiaques (ne s'applique qu'aux dispositifs numériques sans fil).

L'organisme Wireless Technology Research, LLC (WTR), une firme de recherche indépendante, a mené une évaluation pluridisciplinaire des interférences entre les téléphones sans fil portatifs et les stimulateurs cardiaques implantés dans l'organisme. Approuvé par l'Administration des aliments et drogues (FDA) des États-Unis, la firme WTR recommande aux utilisateurs de prendre les mesures suivantes:

- Ne faites fonctionner cet appareil qu'avec le type d'alimentation indiqué sur l'étiquette. Si vous ne connaissez pas le type d'alimentation que vous possédez à votre domicile, consultez votre marchand ou votre compagnie d'électricité.
- Ne surchargez pas les prises de courant murales ni les rallonges électriques.
- Ne placez pas cet appareil sur un chariot, meuble, trépidé, support de montage ni table chancelants.
- Les trous d'ouvertures du boîtier, situés à l'arrière de l'appareil ou sous celui-ci, servent à aérer l'appareil. Pour l'empêcher de surchauffer, ne bloquez sous aucun prétexte ces ouvertures et n'empêchez pas l'aération adéquate de l'appareil en le plaçant sur un lit, divan, tapis ou toute autre surface similaire. De même, ne positionnez pas à proximité ni au-dessus d'une source de chaleur ou d'un calorifère. De plus, ne placez pas l'appareil dans un endroit avant de vous assurer qu'il y ait une bonne circulation d'air.

## FOR VM5255-2 ONLY

### Status check - Two baby units

If you are viewing baby unit 1, the **POWER LED** of baby unit 1 turns on. As baby unit 2 is not being viewed, its **POWER LED** light flashes.

**NOTE**

- If you power on only one baby unit, you may see the parent unit displaying and then , and the **LINK LED** light flashing.
- Press **VIEW** in **Single CAM** or **Patrol** mode to switch to the baby unit you have powered on.

### Change different views - Single CAM

In **Single CAM** or **Patrol** mode, press **VIEW** to switch between the image of baby units 1 and 2.

### Change different views - Patrol

Select **Patrol** as your monitoring mode to alternately view the image from baby units 1 and 2 every 10 seconds.

### Change different views - Split

Select **Split** as your monitoring mode to view the images from both baby units at once.

## LIMITED WARRANTY

**What does this limited warranty cover?**

The manufacturer of this VTech Product warrants to the holder of a valid proof of purchase ("Consumer" or "you") that the Product and all accessories provided in the sales package ("Product") are free from defects in material and workmanship, pursuant to the following terms and conditions, when installed and used normally and in accordance with the Product operating instructions. This limited warranty extends only to the Consumer for Products purchased and used in the United States of America and Canada.

**What will VTech do if the Product is not free from defects in materials and workmanship during the limited warranty period ("Materially Defective Product")?**

During the limited warranty period, VTech's authorized service representative will repair or replace at VTech's option, without charge, a Materially Defective Product. If we repair the Product, we may use new or refurbished replacement parts. If we choose to replace the Product, we may replace it with a new or refurbished Product of the same or similar design. We will retain defective parts, modules, or equipment. Repair or replacement of the Product, at VTech's option, is your exclusive remedy. VTech will return the repaired or replacement Products to you in working condition. You should expect the repair or replacement to take approximately 30 days.

**How long is the limited warranty period?**

The limited warranty period for the Product extends for ONE (1) YEAR from the date of purchase. If VTech repairs or replaces a Materially Defective Product under the terms of this limited warranty, this limited warranty also applies to the repaired or replacement Product for a period of either (a) 90 days from the date the repaired or replacement Product is shipped to you or (b) the time remaining on the original one-year warranty, whichever is longer.

**What is not covered by this limited warranty?**

This limited warranty does not cover:

- Product that has been subjected to misuse, accident, shipping or other physical damage, improper installation, abnormal operation or handling, neglect, inundation, fire, water or other liquid intrusion, or
- Product that has been damaged due to repair, alteration or modification by anyone other than an authorized service representative of VTech; or
- Product to the extent that the problem experienced is caused by signal conditions, network reliability, or cable or antenna system; or
- Product to the extent that the problem is caused by use with non-VTech accessories; or
- Product whose warranty/quality stickers, product serial number plates or electronic serial numbers have been removed, altered or rendered illegible; or
- Product purchased, used, serviced, or shipped for repair from outside the United States of America or Canada, or used for commercial or institutional purposes (including, but not limited to Products used for rental purposes); or
- Product returned without a valid proof of purchase (see item 2 below); or
- Charges for installation or set up, adjustment of customer controls, and installation or repair of systems outside the unit.

**Other limitations**

This warranty is the complete and exclusive agreement between you and VTech. It supersedes all other written or oral communications related to this Product. VTech provides no other warranties for this Product. The warranty exclusively describes all of VTech's responsibilities regarding the Product. There are no other express warranties. No one is authorized to make modifications to this limited warranty and you should not rely on any such modification. State/Provincial Law Rights: This warranty gives you specific legal rights, and you may also have other rights, which vary from state to state or province to province.

Limitations: Implied warranties, including those of fitness for a particular purpose and merchantability (an unwritten warranty that the Product is fit for ordinary use) are limited to one year from the date of purchase. Some states/provinces do not allow limitations on how long an implied warranty lasts, so the above limitation may not apply to you. In no event shall VTech be liable for any indirect, special, incidental, consequential, or similar damages (including, but not limited to lost profits or revenue, inability to use the Product or other associated equipment, the cost of substitute equipment, and claims by third parties) resulting from the use of this Product. Some states/provinces do not allow the exclusion or limitation of incidental or consequential damages, so the above limitation or exclusion may not apply to you.

**Please retain your original sales receipt as proof of purchase.**