

Go to www.vtechphones.com to register your product for enhanced warranty support and the latest VTech product news.

VM4261
VM4261-2

Full Color Video Monitor
with Wide-angle Lens



vtech

User's manual

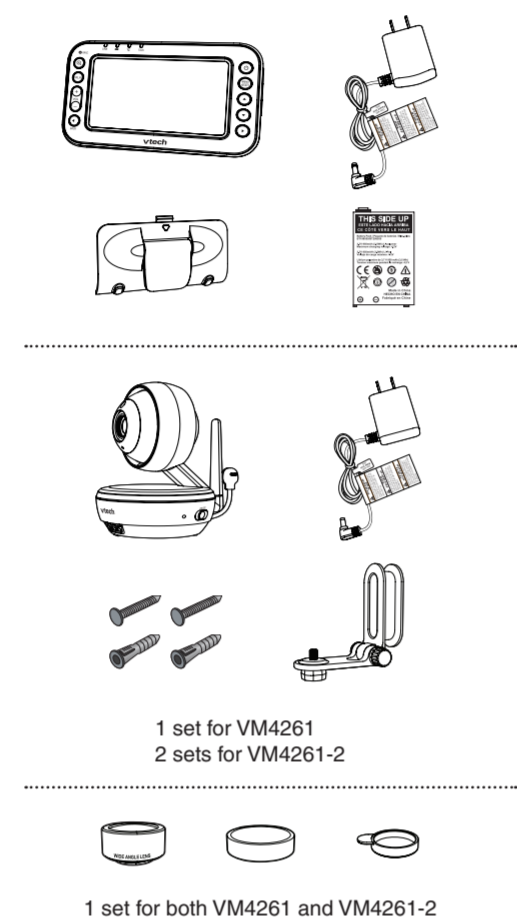
Congratulations

on purchasing your new VTech product. Before using this product, please read **Important safety instructions**.

This manual has all the feature operations and troubleshooting necessary to install and operate your new VTech product. Please review this manual thoroughly to ensure proper installation and operation of this innovative and feature rich VTech product.

For support, shopping, and everything new at VTech, visit our website at www.vtechphones.com.

What's in the box



1 set for VM4261
2 sets for VM4261-2

1 set for both VM4261 and VM4261-2

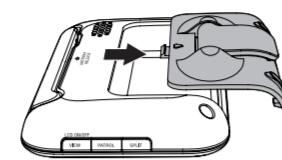
Install the battery

The parent unit runs on rechargeable battery or AC power. To continuously monitor your baby, make sure you use both battery and AC power at the same time. With the battery alone, the parent unit can cordlessly run for a short time only.

NOTES

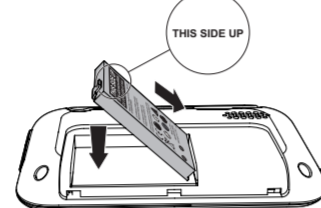
- Use only the power adapters supplied with this product.
- Make sure the electrical outlets are not controlled by wall switches.
- The power adapters are intended to be correctly oriented in a vertical or floor mount position. The prongs are not designed to hold the plug in place if they are plugged into a ceiling, under-the-table or cabinet outlet.
- Make sure the parent unit, the baby unit and the power adapter cords are out of reach of children.

Install the battery as shown below.



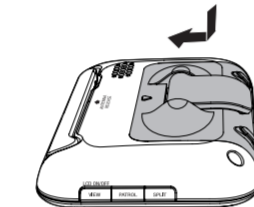
NOTE

- Press down on the battery compartment cover to pull it out.



NOTE

- Make sure the label **THIS SIDE UP** is facing up while inserting the battery.



Replace the battery

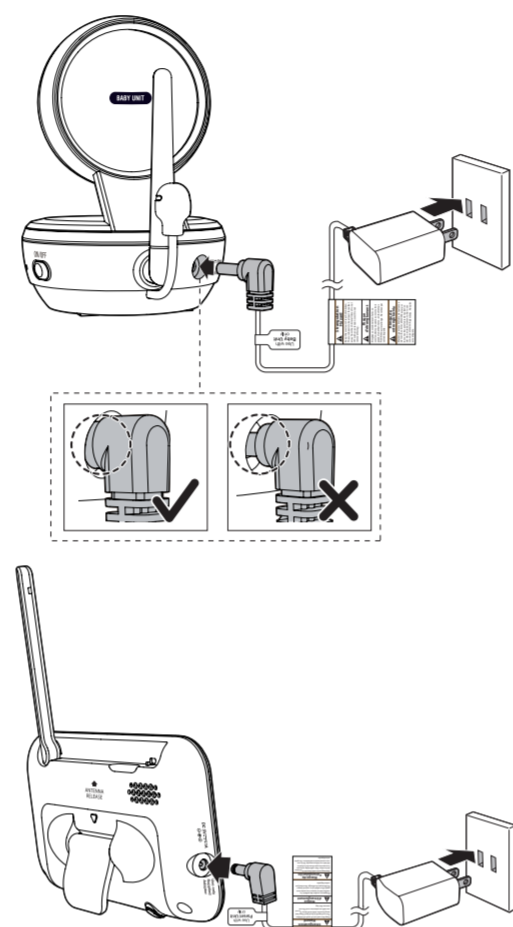
To replace the battery, pull out the battery compartment cover, and then lift up the battery. Follow the steps above to install the new battery.

Connect and charge the battery

NOTES

- Use only the power adapters supplied with this product.
- Make sure the electrical outlets are not controlled by wall switches.
- The power adapters are intended to be correctly oriented in a vertical or floor mount position. The prongs are not designed to hold the plug in place if they are plugged into a ceiling, under-the-table or cabinet outlet.
- Make sure the parent unit, the baby unit and the power adapter cords are out of reach of children.

Connect the baby monitor



Charge the parent unit battery

When you have connected the parent unit and installed its battery for the first time or after power outage, the parent unit powers on automatically. The battery icon indicates the battery status (see the following table).

NOTES

- The parent unit battery is fully charged after 3 hours of continuous charging.
- It takes longer to charge the battery when the parent unit is turned on. To shorten the charging time, turn the parent unit off while charging.
- The standby time varies depending on the volume level you set, your actual use and the age of the battery.

Battery indicators	Battery status	Action
The battery icon is off and displays.	No battery is installed but operates using AC power, or the battery has been installed incorrectly. (at least 30 minutes).	Install the parent unit battery. Charge without interruption (at least 30 minutes).
The screen displays Battery low at Parent Unit and light flashes.	The battery has very little charge and may be used for only a short time.	Charge without interruption (about 30 minutes).
The battery icon becomes solid .	The battery is fully charged.	To keep the battery charged, connect it to AC power when not in use.

Before use

NOTE

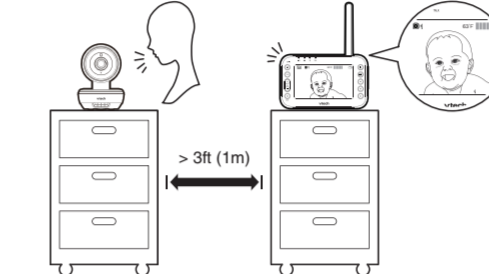
- This baby monitor is intended as an aid. It is not a substitute for proper adult supervision, and should not be used as such.

Test your baby monitor

You may test the baby monitor before initial use, and at regular times thereafter.

CAUTION

- For hearing protection, make sure the parent unit is more than 3 feet (1 meter) away from both baby units. If you hear any high-pitched noise, move the parent unit further until the noise stops. You can also press **VOL-** on the parent unit to lower or mute the noise.



- Make sure your baby units and parent unit are on.
- The parent unit displays images from the baby unit.
 - Speak towards the microphone of the baby unit. You will hear the sound at the parent unit.
- If you have two baby units, press **VIEW** at the right side of your parent unit. The screen switches to other baby unit. Then, repeat step 2.

NOTE

- When the parent unit displays and then , **No link to CAM # (# represents the baby unit number)**, and the **LINK** LED light flashes, move the parent unit closer to the baby units (observe the minimum distance of 3 feet/ 1 meter). You can also check if the baby monitor is connected to a live power socket and switched on.

TIP

- Increase the speaker volume of the parent unit if you cannot hear the sounds transmitted from the baby units.

Positioning the baby monitor

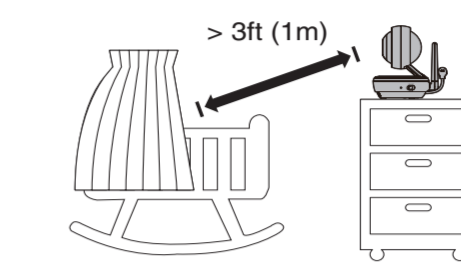
CAUTION

- Keep the baby unit out of the reach of your baby. Never place or mount the baby unit inside the baby's crib or playpen.

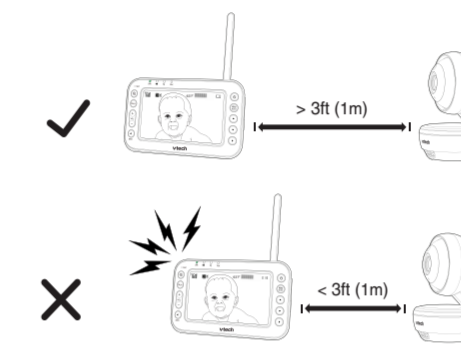
NOTE

- To avoid interference from other electronic devices, place your baby monitor far away from devices such as wireless routers, microwaves, cell phones and computers.

- Place the baby units more than 3 feet (1 meter) away from your baby.



- Place the parent unit more than 3 feet (1 meter) away from the baby units.



CAUTION

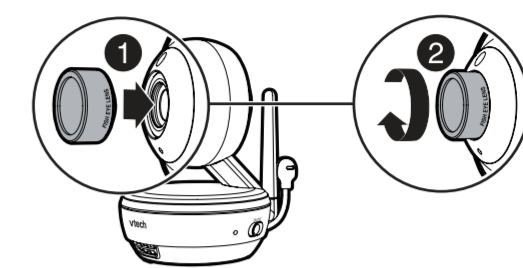
- The default volume of your parent unit is level 4, and the maximum volume is level 7. If you experience high-pitched screaming noise from your baby monitor while positioning:
 - Make sure your baby units and parent unit are more than 3 feet (1 meter) apart, OR
 - Turn down the volume of your parent unit.

Operating range

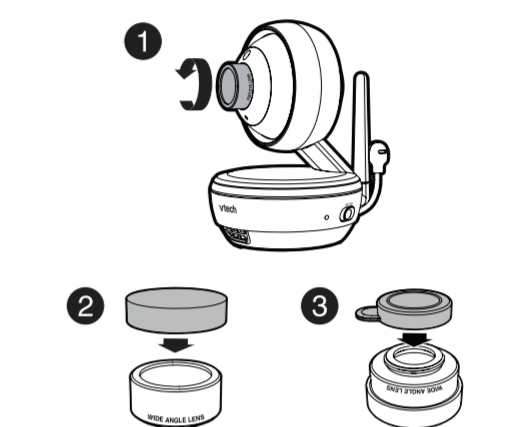
The operating range of the baby monitor is up to 1,000 feet (300 meters) outdoors or 160 feet (50 meters) indoors. The actual operating range may vary depending on the environmental conditions and other interferences such as walls, doors and other obstructions.

Install the lens (optional)

The wide-angle lens (**VM101**) provided allows you to view more of your baby's room from the parent unit screen. Install the wide-angle lens onto the baby unit camera as shown below.



Remove the lens

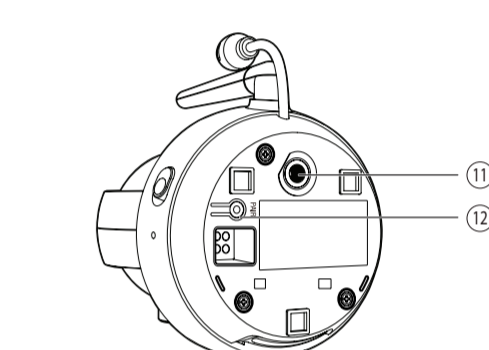
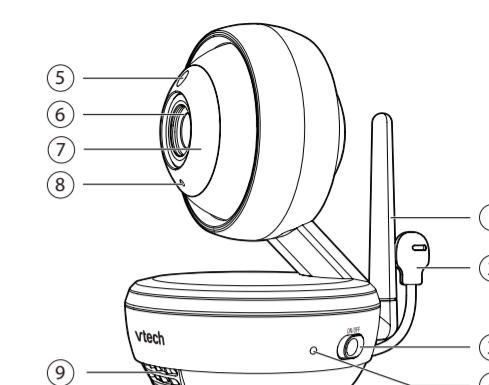


NOTES

- When the lens is not in use, cover both sides of the lens with the lens covers provided to avoid scratches.
- You can purchase and install an extra new wide-angle lens (**VM101**) onto your baby unit if necessary.

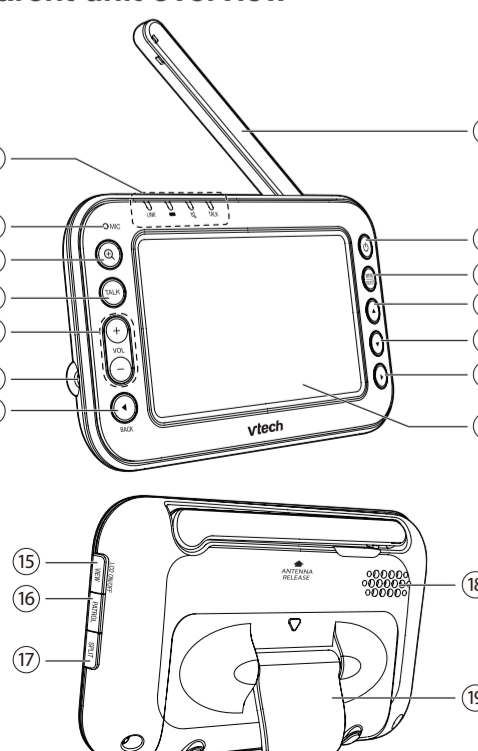
Overview

Baby unit overview



1	Antenna
2	Temperature sensor
3	ON/OFF switch • Slide to turn on or off the baby unit.
4	ON/OFF LED light • On when the baby unit is turned on. • Flashes when the baby unit is not being viewed; or when the link to the parent unit is lost.
5	Light sensor
6	Camera
7	Infrared LEDs
8	Microphone
9	Speaker
10	Power jack
11	Threaded socket
12	PAIR • Your baby units and parent unit provided are already paired.

Parent unit overview



1	LED lights • Indicate the different statuses of the parent unit. For details, refer to Parent unit lights .
2	Microphone
3	Zoom • While viewing image, press to zoom in or out.
4	TALK • While viewing image, press and hold to talk to the selected baby unit.
5	+VOL/- • Press to adjust the speaker volume.
6	Power jack
7	←/BACK • While in a menu, press to return to the main menu or idle screen. • While in Single-CAM or Patrol mode, press and hold to move the baby unit camera leftward. • While in Split-view mode, press to move the selection box leftward.
8	Antenna
9	On/off • Press and hold to power on. • Press and hold to power off.
10	MENU/SELECT • Press to enter the menu. • While in a menu, press to choose an item, or save a setting.
11	▲ • While in a menu, press to scroll up. • While in Single-CAM or Patrol mode, press and hold to move the baby unit camera upward. • While in Split-view mode, press to move the selection box upward.
12	▼ • While in a menu, press to scroll down. • While in Single-CAM or Patrol mode, press and hold to move the baby unit camera downward. • While in Split-view mode, press to move the selection box downward.

13	▶ • While in a menu, press to choose an item. • While in Single-CAM or Patrol mode, press and hold to move the baby unit camera rightward. • While in Split-view mode, press to move the selection box rightward.
14	LCD display
15	VIEW • Press to view the image of the next baby unit in Single-CAM or Patrol mode. • For VM4261-2 only LCD ON/OFF • Press and hold to turn off the parent unit screen.
16	PATROL • Press to turn on or off the Patrol mode. • For VM4261-2 only
17	SPLIT • Press to turn on or off the Split-view mode. • For VM4261-2 only
18	Speaker
19	Stand

Parent unit lights

LINK	• On when the parent unit is linked to the baby unit. • Flashes when the link to the baby unit being viewed in Single-CAM or Patrol mode is lost; or when the link to at least one baby unit being viewed in Split-view mode is lost.
	• On when the parent unit is connected to AC power, or the battery is charging. • Flashes when the parent unit battery is low and needs charging. • Off when the parent unit is disconnected from AC power.
	It turns on: • When the speaker volume of the parent unit is turned off; or • When the parent unit is in Split-view mode; or • When the parent unit is talking to the baby unit.
TALK	• On when the parent unit is talking to the baby unit.

Parent unit status icons

	Connection status • displays when strong signal strength is detected between the baby unit and the parent unit. • or displays when moderate or low signal strength is detected between the baby unit and the parent unit. • displays when the link between the baby unit and the parent unit is lost.
	Lullaby • Displays when the baby unit being viewed is playing lullabies or soothing sounds.
	Current view status • Displays the baby unit number of the baby unit that is being viewed when in Single-CAM and Patrol mode. • Displays the baby unit number of the selected baby unit when in Split-view mode.
	Patrol mode • Displays when the parent unit is in Patrol mode. • For VM4261-2 only
	Split-view mode • Displays when the parent unit is in Split-view mode. • For VM4261-2 only
	Night vision • Displays when the baby unit being viewed has activated the night vision feature.
	Zoom • Displays when the current image on the parent unit has zoomed in.
	Temperature alert tone • Displays when the temperature alert tone is on.
°F or °C	Real-time temperature • Displays the real-time temperature detected by the baby unit in Fahrenheit (°F) or Celsius (°C) (e.g. 57 °F or 14 °C).
	TALK • On when the parent unit is talking to the baby unit.

	Mute alert • Displays when the parent unit speaker volume is set to off. • Displays when Split-view mode is turned on.
	9-level sound indicator • (1 to 3 bars) indicates low sound level detected by the baby unit. • (4 to 6 bars) indicates moderate sound level detected by the baby unit. • (7 to 9 bars) indicates high sound level detected by the baby unit (e.g. baby crying loudly).
	Speaker volume • Displays the parent unit speaker volume level while adjusting.
	Battery status • animates when the battery is charging. • displays solid when the battery is fully charged. • displays when the battery is low and needs charging.
	AC power without battery • Displays when the parent unit is connected to AC power without the battery.

Parent unit main menu icons

	Alert Tone You can set the parent unit to beep when • the parent unit operates in low battery condition; • the link between the parent unit and the baby unit is lost; or • the baby unit detects sounds while in Split-view mode.
	Language You can select a language (English, French or Spanish) to be used in all screen displays.
	LCD You can change the brightness of the parent unit screen, or turn on the Dim Mode to save power.

	Rename You can choose a specific name for the baby unit from a pre-defined name list.
	VOX Sensitivity With this feature, you can choose to hear sounds from the baby unit all the time, or to hear sounds that exceed a certain level. You can use the parent unit to adjust the microphone sensitivity of your baby unit. The higher the sensitivity level, the more sensitive the baby unit is in detecting sounds for transmitting to the parent unit.
	Sound-activated Screen When the baby unit being viewed detects no sound, the parent unit screen stays off to save power. Once a sound is detected, the parent unit screen turns on automatically. It will then turn off again after 50 seconds of no sound detection.
	Temperature You can turn on the temperature alert tone so that the parent unit beeps whenever the room temperature detected by the baby unit falls outside of the desired temperature range.
	Lullaby on CAM You can choose to display the temperature in Fahrenheit (°F) or Celsius (°C), or set the maximum/minimum temperature limit for alerts.
	Volume on CAM You can adjust the volume of baby units which determines the lullaby volume and talkback volume transmitted from parent unit.
	Vibration You can turn on the vibration alert so that the parent unit vibrates when it receives Low battery tone , No link alert , Sound alert in split-view or Temperature alert tone after turning on the respective alert tones.

	No link to CAM # * The selected baby unit is out of range or is turned off.
	Battery low at Parent Unit The battery level of the parent unit is very low and needs to be recharged.
	Battery empty. Powering off ... The battery is empty and needs to be recharged.
	Sound detected at CAM # The sound level exceeds the threshold at CAM # in Split-view mode.
	Temperature too high at CAM # or Temperature too low at CAM # The temperature detected by the baby unit is higher/lower than the desired temperature alert range.
	The parent unit is searching for baby units.
	Auto Timer of lullaby is reset The auto timer for playing lullaby is reset.

* # represents the baby unit number.

Using the baby monitor

	Power on or off the baby unit • Slide the ON/OFF switch to the left to turn on the baby unit. The ON/OFF LED light turns on. • Slide the ON/OFF switch to the right to turn off the baby unit. The ON/OFF LED light turns off.
	Power on or off the parent unit • Press and hold to turn on the parent unit. The screen turns on. • Press and hold to turn off the parent unit. The screen turns off.

	Turn on or off the parent unit screen You can turn on or off the parent unit screen without powering off the parent unit. You can still hear sound from the baby unit. • Press and hold LCD ON/OFF on the parent unit to turn off the screen. • Press any key on the parent unit to turn on the screen again.
	Adjust the speaker volume For parent unit: • Press +VOL/- on the parent unit at any time when viewing images. For baby unit: • When the parent unit speaker volume is set to zero, appears on the screen and the light turns on.

	Pan, tilt, zoom You can remotely pan and tilt your baby unit camera or zoom in while viewing images from the baby unit in Single-CAM and Patrol mode. • Press and hold , or to tilt the baby unit camera downward, upward, leftward or rightward. • Press to zoom in. Press again to zoom out. • Press and hold , or to move the zoomed image downward, upward, leftward or rightward.
	Monitoring mode * For VM4261-2 only Every time the parent unit is turned on, it displays a baby unit in Single-CAM mode. If there are two baby units in your system, you can also monitor your baby in Patrol or Split-view mode. Single-CAM The screen displays a single baby unit in full screen. Patrol A single cam view that transmits to a different baby unit every 10 seconds. Split-view The screen displays all baby units.

	Turn on or off the dim mode The dim mode is preset to on to help you save the parent unit power. Your parent unit display will dim automatically after 10 minutes of inactivity, in which there is neither key pressed nor alert received from the baby unit. For parent unit: • Press and hold LCD ON/OFF on the parent unit to turn off the screen. • Press any key on the parent unit to turn on the screen again. For baby unit: • Press and hold , or to tilt the baby unit camera downward, upward, leftward or rightward. • Press to zoom in. Press again to zoom out. • Press and hold , or to move the zoomed image downward, upward, leftward or rightward.
--	--

	Single-CAM The screen displays a single baby unit in full screen.
	Patrol A single cam view that transmits to a different baby unit every 10 seconds.
	Split-view The screen displays all baby units.

	In Single-CAM or Patrol mode: • Press VIEW to view the next baby unit.
	• Press PATROL to switch to Patrol mode if you are in Single-CAM mode, and vice versa.
	• Press SPLIT to enter the Split-view mode.

In Split-view mode:

- Press **▲**, **▼**, **◀** or **▶** to select a baby unit.
- Press **Q** or **VIEW** key to view the selected baby unit temporarily in **Single-CAM mode**. It returns to **Split-view** mode after 10 seconds.
- Press **PATROL** to enter **Patrol** mode.
- Press **SPLIT** to return to the mode (**Single-CAM** or **Patrol**) used before entering **Split-view** mode.

⚠NOTE

- The parent unit is muted while in **Split-view** mode.

Talk

You can use the **TALK** function of the parent unit to comfort your baby in **Single-CAM** and **Patrol** mode.

- Press and hold **TALK** on the parent unit. The **TALK** light turns on.
- Speak towards the microphone on the parent unit. Your voice is broadcast to the baby unit.
- Release the **TALK** to stop the broadcast. The **TALK** light goes off. The speaker is then turned on for around 20 seconds, so you can hear your baby.

⚠NOTES

- The parent unit speaker is muted during voice broadcast. Sound transmission from the baby unit resumes after **TALK** is released.
- After around 20 seconds of sound re-transmission, the speaker returns to mute if you had set it to mute before pressing **TALK**.

Lullaby

The baby monitor has five lullabies and four soothing sounds for you to comfort your baby. You can play the lullabies or soothing sounds on the baby unit using the parent unit.

To play lullaby using the parent unit:

- Press **MENU** when the parent unit is idle.
- Press **▼** or **▲** to choose **Lullaby on CAM**, then press **SELECT**.
- Press **▼** or **▲** to choose **Play Melodies**, then press **SELECT**.
- Press **▼** or **▲** to choose a lullaby, or choose **Play All**, then press **SELECT**.

- If **Play All** is selected, the lullabies will be played one after the other, until all lullabies are played.

5. When the desired lullaby is selected, press **▼** or **▲** to choose **Play**, then press **SELECT**.

To play soothing sound using the parent unit:

- Press **MENU** when the parent unit is idle.
- Press **▼** or **▲** to choose **Lullaby on CAM**, then press **SELECT**.
- Press **▼** or **▲** to choose **Play Soothing Sounds**, then press **SELECT**.
- Press **▼** or **▲** to choose a soothing sound, then press **SELECT**.
- Press **▼** or **▲** to choose **Play**, then press **SELECT**.

⚠NOTES

- Lullaby playback control with the parent unit menu is available in **Single-CAM** and **Patrol** mode only.
- The lullaby playback on the baby unit will be paused when receiving talkback from the parent unit.

To stop playing lullaby or soothing sound:

- Press **MENU** when the parent unit is idle.
- Press **▼** or **▲** to choose **Lullaby on CAM**, then press **SELECT**.
- Press **▼** or **▲** to choose **Stop**, then press **SELECT**.

To set auto timer for lullaby:

While the baby unit is playing lullaby or soothing sound, the auto timer feature helps you automatically stop the lullaby or soothing sound after playing for 15/30/45/60 minutes. You can set auto timer for lullaby with the parent unit.

- Press **MENU** when the parent unit is idle.
- Press **▼** or **▲** to choose **Lullaby on CAM**, then press **SELECT**.
- Press **▼** or **▲** to choose **Auto Timer**, then press **SELECT**.
- Press **▼** or **▲** to choose the desired lullabies duration, then press **SELECT**.

After 15/30/45/60 minutes, the lullaby or soothing sound will stop automatically.

Adjust the sound sensitivity of the baby unit

You can choose to hear sounds from the baby unit all the time, or to hear sounds that exceed a certain level. You can use the parent unit to adjust the microphone sensitivity of your baby units from **Lowest** to **Highest**. The higher the sensitivity level, the more sensitive the baby unit is in detecting sounds for transmitting to the parent unit. The VOX sound sensitivity level is preset to **Highest**.

Sensitivity Level		Description
Highest	High sensitivity	Highest VOX sensitivity level <p>The parent unit speaker is constantly on, and you will hear all sounds (including background noises) from your baby's room.</p>
High		High VOX sensitivity level <p>The parent unit speaker turns on for soft babbling and louder sounds from your baby. It remains quiet when your baby sleeps soundly.</p>
Medium		Medium VOX sensitivity level <p>The parent unit speaker turns on for loud babbling and louder sounds from your baby. It remains quiet when your baby makes soft sounds.</p>
Low		Low VOX sensitivity level <p>The parent unit speaker turns on for crying and louder sounds from your baby. It remains quiet when your baby makes soft sounds.</p>
Lowest	Low sensitivity	Lowest VOX sensitivity level <p>The parent unit speaker turns on for loud crying or screaming sounds from your baby. It remains quiet when your baby makes soft sounds.</p>

- Press **MENU** when the parent unit is idle.
- Press **▼** or **▲** to choose **VOX Sensitivity**, then press **SELECT**.
- If you have two baby units, the system prompts you to choose the desired baby unit or both baby units, press **▼** or **▲** to choose **ALL CAM** or **CAM #**, then press **SELECT**.

3. Press **▼** or **▲** to choose the desired sensitivity level, then press **SELECT** to confirm your selection.

⚠TIP

- You can adjust the baby unit placement to improve the sound detection.

Turn on or off the sound activation

When sound activation is on, as long as no sound is detected within 50 seconds, the parent unit screen will turn off automatically to save power.

When your baby unit detects a sound, which exceeds the selected sensitivity level, the sound activation triggers the parent unit screen to turn on automatically. When no sound is detected within 50 seconds, the screen will be off again.

- Press **MENU** when the parent unit is idle.
- Press **▼** or **▲** to choose **Sound-activated Screen**, then press **SELECT**.
- Press **▼** or **▲** to choose **On** or **Off**, then press **SELECT** to confirm your selection.

⚠NOTE

- The sound alert feature is only available in **Split-view** mode.

2. Press **▼** or **▲** to choose **Alert Tone**, then press **SELECT**.

3. Press **▼** or **▲** to choose **No Link Alert**, then press **SELECT**.

4. Press **▼** or **▲** to choose **On** or **Off**, then press **SELECT** to confirm your selection.

Sound alert in split-view

You can turn on the sound alert feature so that, while in **Split-view** mode, the parent unit beeps and displays **Sound detected at CAM #** whenever the baby unit detects sounds.

- Press **MENU** when the parent unit is idle.
- Press **▼** or **▲** to choose **Alert Tone**, then press **SELECT** to select.
- Press **▼** or **▲** to choose **Sound alert in split-view**, then press **SELECT**.
- Press **▼** or **▲** to choose **On** or **Off**, then press **SELECT** to confirm your selection.

⚠NOTE

- The sound alert feature is only available in **Split-view** mode.

Monitor the temperature

Your baby unit monitors the temperature of your baby's room with its built-in temperature sensor. If the detected temperature is outside of the preset temperature range, the parent unit will display alert message.

Set temperature range

You can set the desired room temperature alert range. The minimum temperature can be set between **52 °F (11 °C)** and **69 °F (20 °C)**. The maximum temperature can be set between **70 °F (21 °C)** and **86 °F (30 °C)**.

- Press **MENU** when the parent unit is idle.
- Press **▼** or **▲** to choose **Temperature**, then press **SELECT**.
- Press **SELECT** again to choose **Low Battery Tone**.
- Press **▼** or **▲** to choose **On** or **Off**, then press **SELECT** to confirm your selection.

No link alert

You can set the parent unit to beep when the link between the parent unit and the baby unit is lost.

- Press **MENU** when the parent unit is idle.

cabinet outlet.

5. For pluggable equipment, the socket-outlet shall be installed near the equipment and shall be easily accessible.

10. Unplug this product from the wall outlet before cleaning. Do not use liquid or aerosol cleaners. Use a damp cloth for cleaning.

11. Unplug the power cords before replacing batteries.

12. Do not cut off the power adapters to replace them with other plugs, as this causes a hazardous situation.

13. Do not allow anything to rest on the power cords. Do not install this product where the cords may be walked on or crimped.

14. This product should be operated only from the type of power source indicated on the marking label. If you are not sure of the type of power supply in your home, consult your dealer or local power company.

15. Do not overload wall outlets or use an extension cord.

16. Do not place this product on an unstable table, shelf, stand or other unstable surfaces.

17. This product should not be placed in any area where proper ventilation is not provided. Slots and openings in the back or bottom of this product are provided for ventilation. To protect them from overheating, these openings must not be blocked by placing the product on a soft surface such as a bed, sofa or rug. This product should never be placed near or over a radiator or heat register.

18. Never push objects of any kind into this product through the slots because they may touch dangerous voltage points or create a short circuit. Never spill liquid of any kind on the product.

19. To reduce the risk of electric shock, do not disassemble this product, but take it to an authorized service facility. Opening or removing parts of the product other than specified access doors may expose you to dangerous voltage or other risks. Incorrect reassembling can cause electric shock when the product is subsequently used.

20. You should test the sound reception every time you turn on the units or move one of the components.

21. Periodically examine all components for damage.

22. Be aware of possible loss of privacy while using public airwaves. Conversations may be picked up by other nursery monitors, cordless phones, scanners, etc.

23. Children should be supervised to ensure that they do not play with the product.

24. The product is not intended for use by persons (including children) with reduced physical, sensory or mental capabilities, or lack of experience and knowledge, unless they have been given supervision or instruction concerning use of the appliance by a person responsible for their safety.

SAVE THESE INSTRUCTIONS

The RBRC® seal

The RBRC® seal on the lithium-ion battery indicates that VTEch Communications, Inc. is voluntarily participating in an industry program to collect and recycle these batteries at the end of their useful lives, when taken out of service within the United States and Canada. The RBRC® program provides a convenient alternative to placing used lithium-ion batteries into the trash or municipal waste, which may be illegal in your area.

VTEch's participation in RBRC® makes it easy for you to drop off the spent battery at local retailers participating in the RBRC® program or at authorized VTEch product service centers. Please call **1 (800) 8 BATTERY®** for information on lithium-ion battery recycling and disposal/restrictions in your area. VTEch's involvement in this program is part of its commitment to protecting our environment and conserving natural resources.

RBRC® and 1 (800) 8 BATTERY® are registered trademarks of the Rechargeable Battery Recycling Corporation.

Wireless Technology Research, LLC (WTR), an independent research entity, led a multidisciplinary evaluation of the interference between portable wireless devices and implanted cardiac pacemakers. Supported by the U.S. Food and Drug Administration, WTR recommends to physicians that:

- Pacemaker patients**
 - Should keep wireless devices at least six inches from the pacemaker.
 - Should NOT place wireless devices directly over the pacemaker, such as in a breast pocket, when it is turned ON.

WTR's evaluation did not identify any risk to bystanders with pacemakers from other persons using wireless devices.

Electromagnetic fields (EMF)

This VTEch product complies with all standards regarding electromagnetic fields (EMF). If handled properly and according to the instructions in this user's manual, the product is safe to be used based on scientific evidence available today.

- Reorient or relocate the receiving antenna.
- Increase the separation between the equipment and receiver.
- Connect the equipment into an outlet on a circuit different from that to which the receiver is connected.
- Consult the dealer or an experienced radio/TV technician for help.

WARNING: Changes or modifications to this equipment not expressly approved by the party responsible for compliance could void the user's authority to operate the equipment.

This device complies with Part 15 of the FCC rules. Operation is subject to the following two conditions:

(1) this device may not cause harmful interference, and (2) this device must accept any interference received, including interference that may cause undesired operation.

To ensure safety of users, the FCC has established criteria for the amount of radio frequency energy that can be safely absorbed by a user or bystander according to the intended usage of the product. This product has been tested and found to comply with the FCC criteria. The baby unit shall be installed and used such that parts of all persons' body are maintained at a distance of approximately 8 in (20 cm) or more. The transmitter and antenna of the parent unit shall be held at least 1 in (2.5 cm) from your face.

This Class B digital apparatus complies with Canadian requirement: ICAM CIES-3 (B)/NMB-3(B)

Industry Canada

This device complies with Industry Canada licence-exempt RSS standard(s).

Operation is subject to the following two conditions: (1) this device may not cause harmful interference, and (2) this device must accept any interference, including interference that may cause undesired operation.

The term "IC:" before the certification/registration number only signifies that the Industry Canada technical specifications were met.

This product meets the applicable Industry Canada technical specifications.

RF radiation exposure statement

The baby unit complies with FCC RF radiation exposure limits set forth for an uncontrolled environment. The baby unit should be installed and operated with a minimum distance of 8 in (20 cm) between the baby unit and all persons' body. Use of other accessories may not ensure compliance with FCC RF exposure guidelines. This transmitter must not be co-located or operating in conjunction with any other antenna or transmitter. This equipment complies also with Industry Canada RSS-102 with respect to Canada's Health Code 6 for Exposure of Humans to RF Fields.

California Energy Commission battery charging testing mode

This baby monitor meets the California Energy Commission (CEC) regulations for energy consumption. Your baby monitor is set up to comply with the energy-conserving standards right out of the box.

Follow the instructions to install and charge the battery. The CEC battery charging testing mode is activated while charging.

Even if the parent unit is paired to baby units, the CEC battery charging testing mode is activated while it is powered off and charging.

For C-UL compliance only

Mesures de sécurité importantes

Lorsque vous utilisez votre appareil, vous devriez toujours suivre certaines mesures de précaution afin de réduire les risques d'incendie, d'électrocution et de blessures corporelles, dont ceux qui suivent :

- Observez toutes les instructions et mises en garde inscrites sur l'appareil.
- L'installation par un adulte est requise.
- Ce produit a été conçu pour être un dispositif d'appoint seulement. Il n'est pas le remplacement d'une supervision responsable et adéquate par un adulte et ne devrait pas être utilisé comme telle.
- Ce produit n'est pas conçu pour être utilisé en tant que moniteur médical.
- N'utilisez pas cet appareil près de l'eau ni de toute autre source d'humidité, par exemple, près d'une baignoire, cuve à lessive, évier de cuisine, dans un sous-sol humide ni près d'une piscine, dans un sous-sol humide ou une douche.
- MISE EN GARDE:** Il peut y avoir un risque d'explosion si vous utilisez le mauvais type de piles pour l'unité du parent. N'utilisez que le bloc-piles rechargeable inclus ou le bloc-piles de rechange (BT198555/BT298555). N'incinérerez pas les piles. Celles-ci risqueraient d'exposer. Jetez les piles usées selon les renseignements suivant le **sceau du RBRC®**.
- N'utilisez que les adaptateurs inclus avec ce produit. L'utilisation d'un adaptateur dont la polarité ou la tension serait inadéquate risque d'endommager sérieusement le produit et mettre votre sécurité en péril. Adaptateur de l'unité du bébé : Sortie : 5V CC 800mA Adaptateur de l'unité du parent : Sortie : 5V CC 1A
- Lorsqu'ils sont branchés dans une prise de courant, les adaptateurs secteur ont été conçus pour être orientés correctement, soit à la verticale ou au plancher. Les broches n'ont pas été conçues pour supporter le poids du bloc d'alimentation et le maintenir en place si celui-ci est branché dans une prise au plafond, sous une table ou dans un meuble.
- Pour les PRODUITS À BRANCHER À UNE PRISE DE COURANT, la prise de courant doit être installée près du produit, afin d'assurer une accessibilité sécuritaire à la prise de courant.
- Débranchez ce produit de la prise de courant avant de procéder au nettoyage. N'utilisez pas de nettoyants en aérosols. Utilisez un chiffon humide pour le nettoyer.
- Débranchez les cordons d'alimentation avant de remplacer le bloc-piles.
- Ne coupez pas les cordons d'alimentation pour remplacer les fiches, car ceci peut présenter un danger potentiel.

4. Press **▼** or **▲** to choose the desired minimum or maximum temperature, then press **SELECT** to confirm your selection.

Temperature alert tone

You can turn on the temperature alert tone so that the parent unit will emit an alert tone if the detected temperature is over a range.

- Press **MENU** when the parent unit is idle.
- Press **▼** or **▲** to choose **Temperature**, then press **SELECT**.
- Press **▼** or **▲** to choose **Alert Tone**, then press **SELECT**.

- If you have more than one baby unit, the system prompts you to choose the desired baby unit or all baby units, press **▼** or **▲** to choose **ALL CAM** or **CAM #**, then press **SELECT**.

4. Press **▼** or **▲** to choose **On** or **Off**, then press **SELECT** to confirm your selection.

Temperature format

You can choose to display the temperature in Fahrenheit (°F) or Celsius (°C).

- Press **MENU** when the parent unit is idle.
- Press **▼** or **▲** to choose **Temperature**, then press **SELECT**.
- Press **▼** or **▲** to choose **Format**, then press **SELECT**.
- Press **▼** or **▲** to choose **°F** or **°C**, then press **SELECT** to confirm your selection.

Turn on or off the vibration

You can turn on the vibration feature so that the parent unit vibrates when it receives any of **No link alert**, **Sound alert in split-view** or **Temperature alert tone** after turning on the respective alert tones.

- Press **MENU** when the parent unit is idle.
- Press **▼** or **▲** to choose **Vibration**, then press **SELECT**.
- Press **▼** or **▲** to choose **On** or **Off**.
- Press **SELECT** to confirm your selection.

⚠NOTE

- If the vibration feature is turned on, the parent unit may vibrate as it receives sound broadcast from the baby unit.

Set the language

You can select a language (English, French or Spanish) to be used in all screen displays.

- Press **MENU** when the parent unit is idle.
- Press **▼** or **▲** to choose **Language**, then press **SELECT**.
- Press **▼** or **▲** to choose **English, Français** or **Español**, then press **SELECT** to confirm your selection.

Rename the baby units

You can rename each baby unit. Once the baby unit is renamed, its new name together with the baby unit number will appear in the sub-menu of below options:

- VOX Sensitivity
- Rename

- Temperature

- Press **MENU** when the parent unit is idle.
- Press **▼** or **▲** to choose **Rename**, then press **SELECT**.
- Press **▼** or **▲** to choose the desired baby unit, then press **SELECT**.

4. Press **▼** or **▲** to choose the desired name for the baby unit, then press **SELECT** to confirm your selection.

Night vision

The baby unit has infrared LEDs that allow you to see your baby clearly at night or in a dark room. When the baby unit being viewed detects low light levels, the infrared LEDs are switched on automatically. The images from this baby unit are in black and white, and ☺ appears on screen.

⚠NOTES

- It is normal if you see a short white glare on your parent unit screen as the baby unit is adapting to the dark environment.
- When the infrared LEDs are on, the images are in black and white. This is normal.

⚠TIP

- Depending on the surroundings and other interfering factors, like lightings, objects, colors and backgrounds, the display resolution may vary. Adjust the baby unit's angle or place the baby unit at a higher level to prevent glare and blurry display.

Mount the baby unit (optional)

Your baby monitor comes ready for tabletop use. You can also choose to mount your baby monitor on the wall. See **Mount the baby unit (optional)** in the Quick Start Guide for the wall mounting instructions.

General product care

To keep this product working well and looking good, follow these guidelines:

- Avoid putting it near heating appliances and devices that generate electrical noise (for example, motors or fluorescent lamps).
- DO NOT expose it to direct sunlight or moisture.
- Avoid dropping the product or treating it roughly.
- Clean with a soft cloth.
- DO NOT immerse the parent unit and the baby unit in water and do not clean them under the tap.
- DO NOT use cleaning spray or liquid cleaners.
- Make sure the baby unit and parent unit are dry before you connect them to the mains again.

Storage

When you are not going to use the baby monitor for some time, remove the rechargeable battery from the parent unit. Store the parent unit, the baby unit and the adapters in a cool and dry place.

Frequently asked questions

Below are the questions most frequently asked about the baby monitor. If you cannot find the answer to your question, visit our website at **www.vtechphones.com**, or contact **1 (800) 595-9511** for customer service.

Why does the baby monitor not respond normally?	Try the following (in the order listed) for common cure: <ol style="list-style-type: none">Disconnect the power to the baby units and the parent unit. Remove the batteries in the parent unit. Then, install the batteries again. Wait a few seconds before connecting power back to the baby units and the parent unit. Turn on the baby units and the parent unit. Wait for the parent unit to synchronize with the baby units. Allow up to one minute for this to take place.
---	---

Why does the parent unit beep?	The baby units may be out of range. Move the parent unit closer to the baby units (but not less than 3 feet). <p>If the parent unit is powered by the provided battery, it may not have enough charge for the parent unit to perform normally. Charge the battery in the parent unit for up to 3 hours.</p> <p>If your parent unit is in Split-view mode, some of your baby units may detect sounds.</p> <p>The temperature of your baby's room may be too high or too low.</p>
--------------------------------	--

Limited warranty

What does this limited warranty cover?

The manufacturer of this VTEch Product warrants to the holder of a valid proof of purchase ("Consumer" or you") that the Product and all accessories provided in the sales package ("Products") are free from defects in material and workmanship, pursuant to the following terms and conditions, when installed and used normally and in accordance with the Product operating instructions. This limited warranty extends only to the Consumer for Products purchased and used in the United States of America and Canada.

What will VTEch do if the Product is not free from defects in materials and workmanship during the limited warranty period ("Materially Defective Product")?

During the limited warranty period, VTEch's authorized service representative will repair or replace at VTEch's option, without charge, a Materially Defective Product. If we repair the Product, we may use new or refurbished replacement parts. If we choose to replace the Product, we may replace it with a new or refurbished Product of the same or similar design. We will retain defects, modules, or equipment. Repair or replacement of the Product, at VTEch's option, is your exclusive remedy. VTEch will return the repaired or replacement Products to you in working condition. You should expect the repair or replacement to take approximately 30 days.

How long is the limited warranty period?

The limited warranty period for the Product extends for ONE (1) YEAR from the date of purchase. If VTEch repairs or replaces a Materially Defective Product under the terms of this limited warranty, this limited warranty also applies to the repaired or replacement Product for a period of either (a