

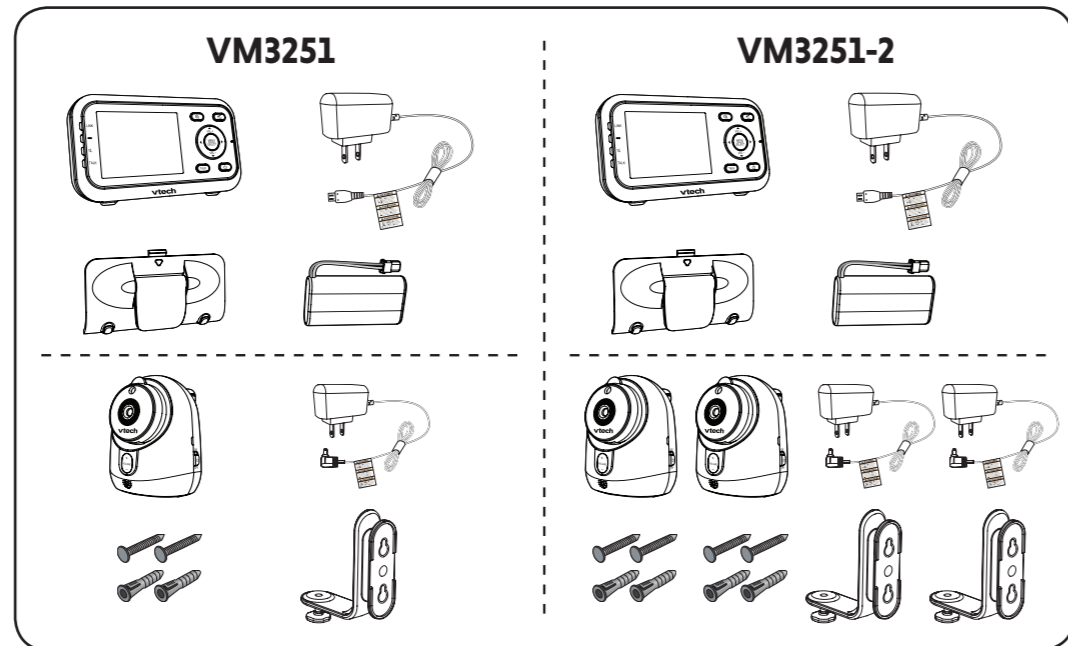


Quick start guide

VM3251
VM3251-2
Video Monitor



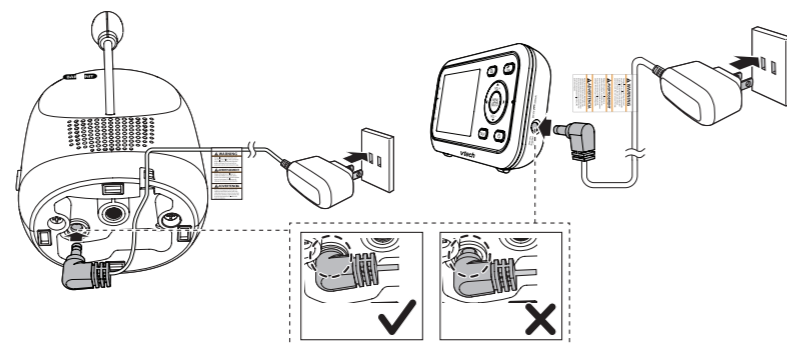
WHAT'S IN THE BOX



1 CONNECT THE BABY MONITOR

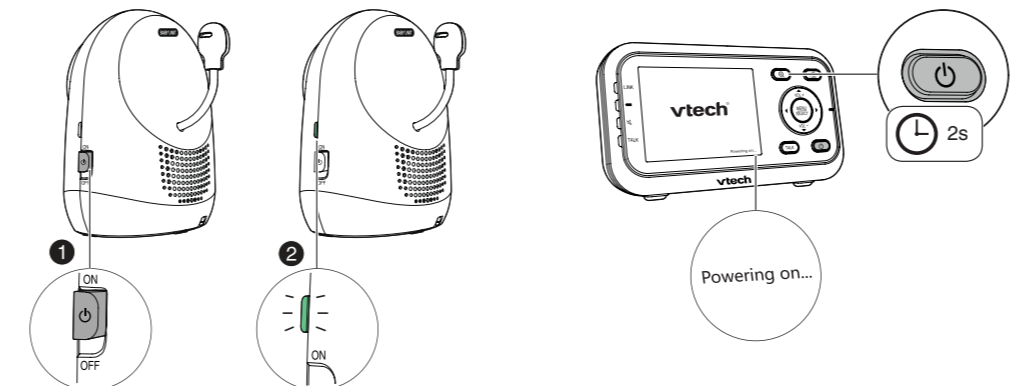
NOTES

- The rechargeable battery is pre-installed in your parent unit.
- Use only the power adapters supplied with this product.
- Make sure the baby monitor is not connected to the switch controlled electric outlet.
- Connect the power adapters in a vertical or floor mount position only. The adapters' prongs are not designed to hold the weight of baby monitor, so do not connect them to any ceiling, under-the-table, or cabinet outlets. Otherwise, the adapters may not properly connect to the outlets.
- Make sure the parent unit, the baby unit and the power adapter cords are out of reach of children.

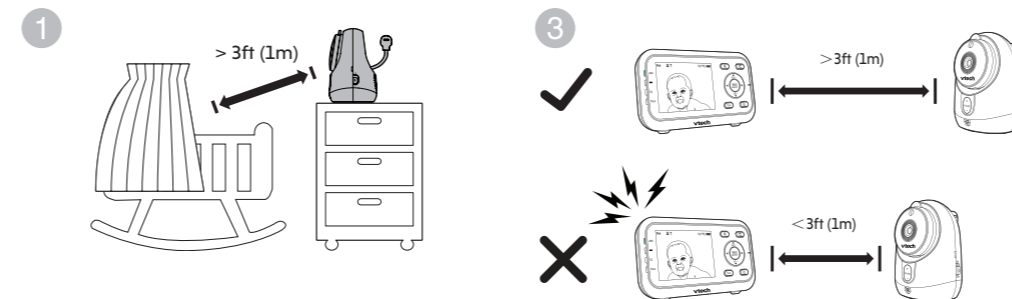


2 POWER ON THE BABY MONITOR

- Slide the **ON/OFF** switch to power on your baby unit.
- Press and hold **ON** to power on your parent unit.



3 POSITIONING THE BABY MONITOR

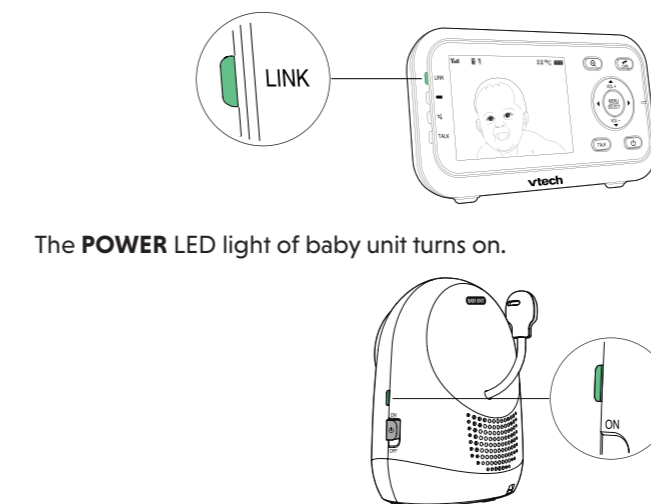


CAUTION

- The default volume of your parent unit is level 3, and the maximum volume is level 5. If you experience high-pitched screeching noise from your baby monitor while positioning:
 - Make sure your baby unit and parent unit are more than 1 meter (3 feet) apart, OR
 - Turn down the volume of your parent unit.

4 STATUS CHECK

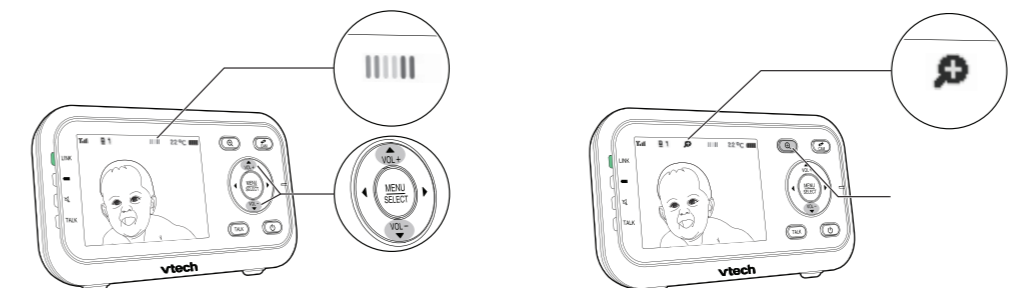
Once you power on both your baby unit and parent unit, your parent unit displays image from the baby unit, and the **LINK** LED light turns on.



BASIC OPERATION - PARENT UNIT

Adjust speaker volume

Press **VOL+** / **VOL-** to adjust your parent unit speaker volume. It determines the volume of sound transmitted from your baby units.

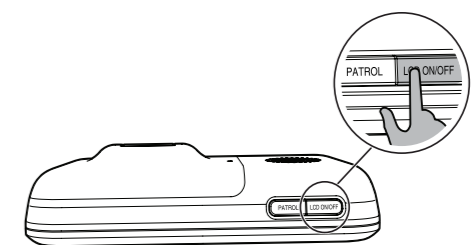


Zoom

Press **+** to zoom in or out.

Turn off the screen

Press **LCD ON/OFF** to switch off the screen. You can still hear sound from the selected baby unit.

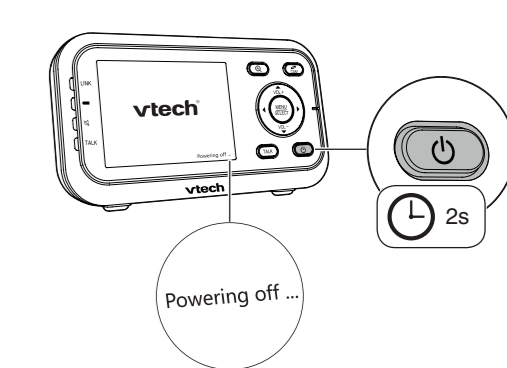


TIP

- Press any keys on the parent unit to turn on the screen again.

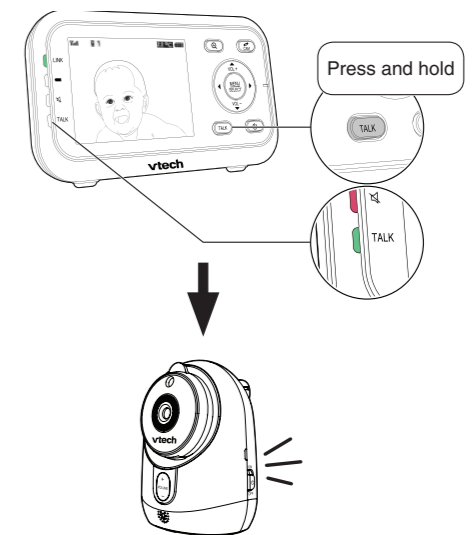
Turn off the parent unit

Press and hold **ON** to power off your parent unit.



Talk to your baby unit

Press and hold **TALK** and speak to your parent unit. Your voice is transmitted to the baby unit.

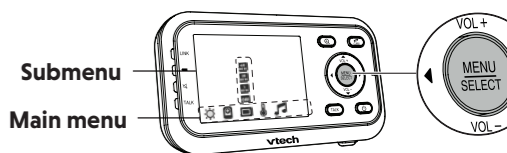


Use the menu

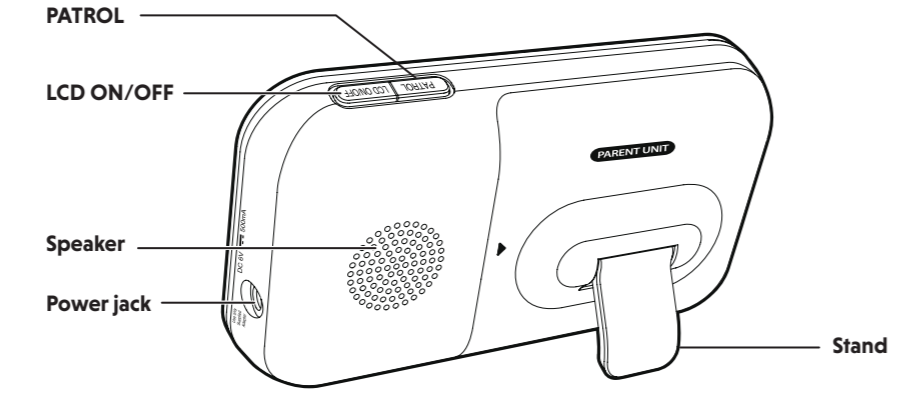
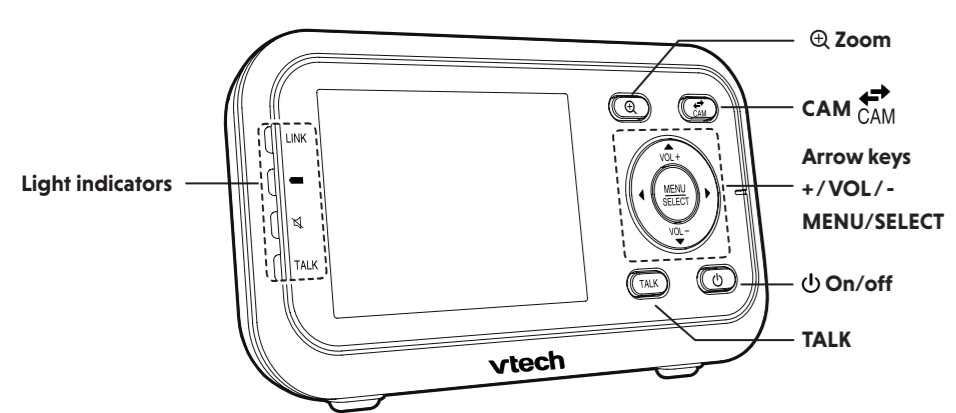
Press **MENU** to enter the menu, or save a setting. You can use the parent unit for advanced settings or operations, such as to play or stop the baby unit lullaby, or to adjust the baby unit sound sensitivity.

While in the menu:

- Press **←** or **→** to scroll among the menu options.
- Press **▲** to enter the desired submenu.
- Press **▲** or **▼** to select an item.
- Press **SELECT** to confirm your selection.

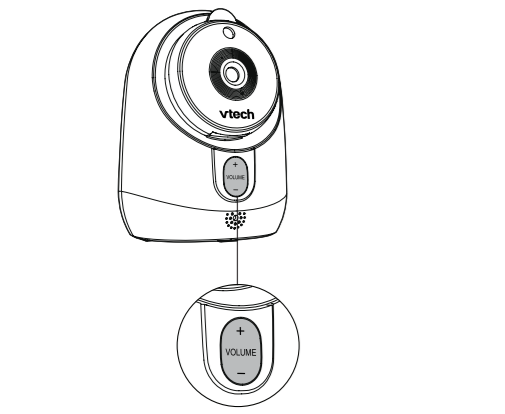


OVERVIEW - PARENT UNIT

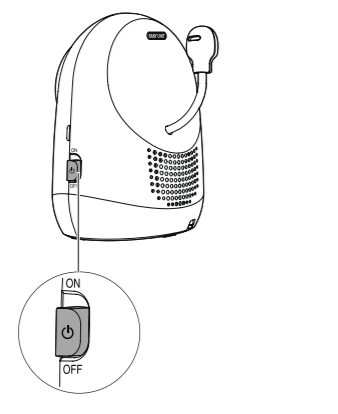


BASIC OPERATION - BABY UNIT

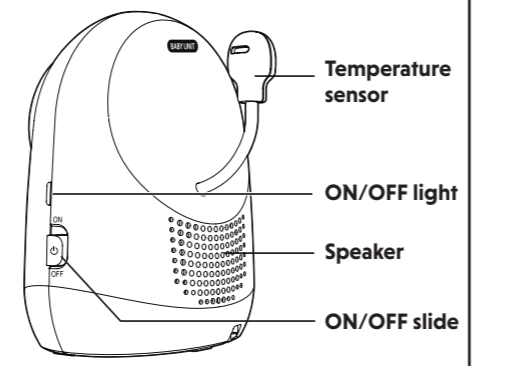
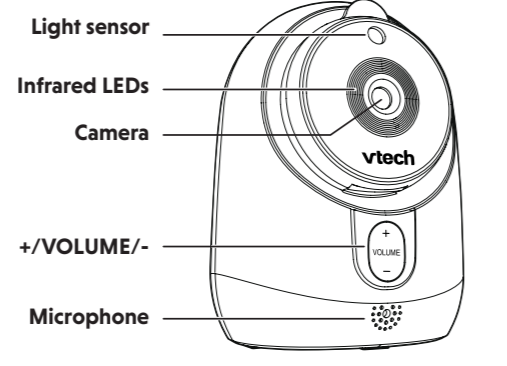
Adjust speaker volume
Press + / VOLUME / - to adjust your baby unit speaker volume. It determines the lullaby volume and talkback volume transmitted from your parent unit.



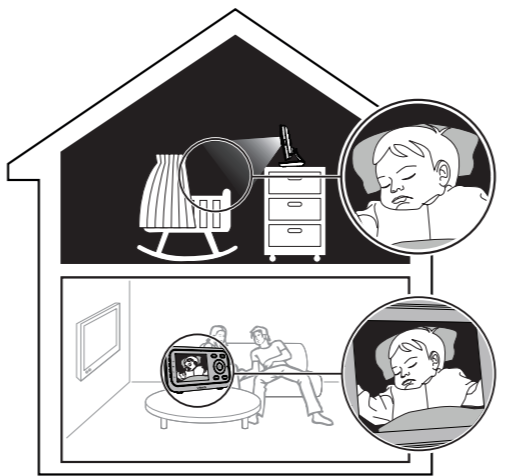
Turn off the baby unit
Slide the ON/OFF switch to OFF to power off your baby unit.



OVERVIEW - BABY UNIT



NIGHT VISION



The baby unit has infrared LEDs that allow you to see your baby clearly at night or in a dark room. When the baby unit being viewed detects low light levels, the infrared LEDs are switched on automatically. The images from the baby unit are in black and white, and appears on the screen.

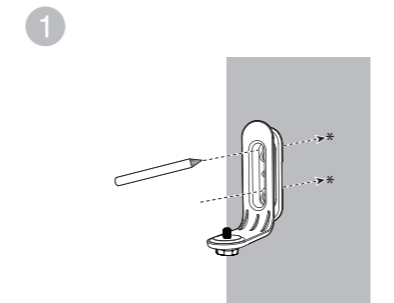
NOTES

- It is normal if you see a short white glare on your parent unit screen as the baby unit is adapting to the dark environment.
- When the infrared LEDs are on, the images are in black and white. This is normal.

TIP

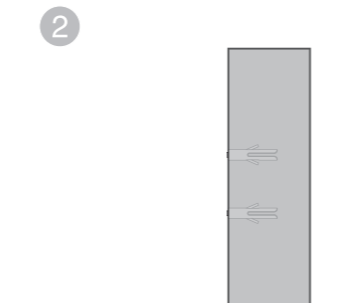
- Depending on the surroundings and other interfering factors, like lightings, objects, colors and backgrounds, the display resolution may vary. Adjust the baby unit's angle or place the baby unit at a higher level to prevent glare and blurry display.

MOUNT THE BABY UNIT (OPTIONAL)

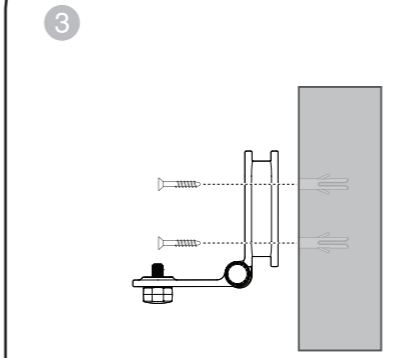


NOTE

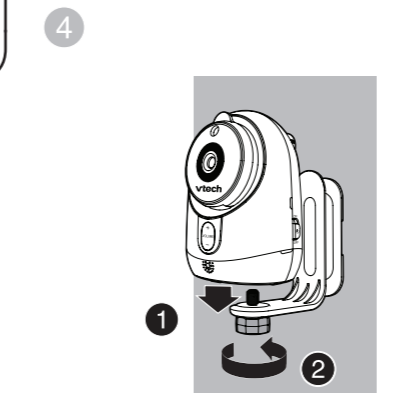
- Check for reception strength and camera angle before drilling the holes.
- Use a pencil to mark two holes in parallel. Make sure they are the same distance apart as the wall mount holes on the baby unit.



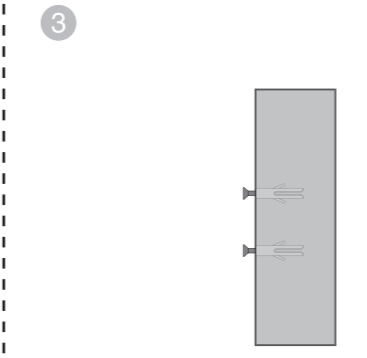
If you drill the holes into a stud, go to step 3.
-OR-
If you drill the holes into an object other than a stud, insert the wall anchors into the holes. Tap gently on the ends with a hammer until the wall anchors are flush with the wall.



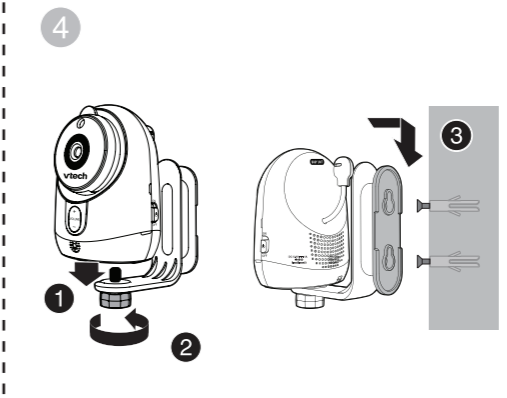
Align the wall mount bracket and screws with the holes in the wall as shown. Tighten the screw in the middle hole first, so that the wall mount bracket position is fixed. You can tighten the other screw in the top hole.



Place the baby unit on the wall mount bracket. Tighten the screw into the threaded socket at the bottom to secure the baby unit.



Insert the screws into the holes and tighten the screws until only 1/4 inch of the screws are exposed.

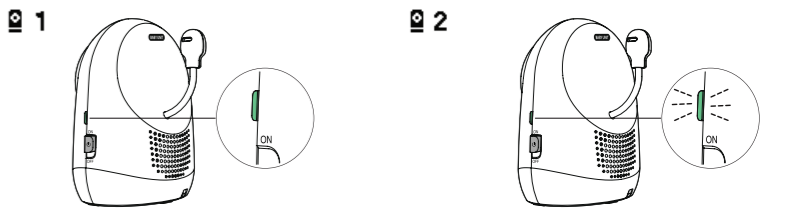


Place the baby unit on the wall mount bracket. Tighten the screw into the threaded socket at the bottom to secure the baby unit. Align the holes on the wall mount bracket with the screws on the wall, and slide the wall mount bracket down until it locks into place.

FOR VM3251-2 ONLY

Status check - Two baby units

If you are viewing baby unit 1, the LINK LED light of baby unit 1 turns on. As baby unit 2 is not being viewed, its LINK LED light flashes.

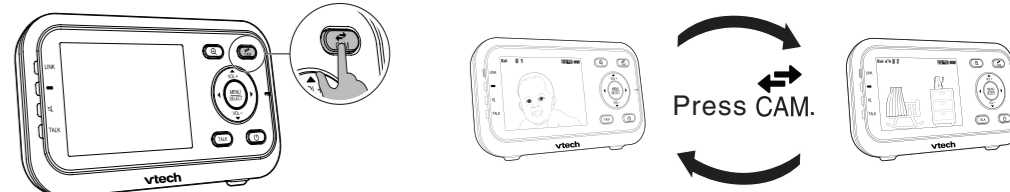


NOTE

- If you power on only one baby unit, your parent unit may display a baby icon and the LINK LED light flashes. Press CAM to switch to the baby unit you have powered on.

Change different views - Single-cam

Press CAM to switch between the image of baby units 1 and 2.



Change different views - Patrol

Press PATROL to alternately view the image from baby units 1 and 2 every 10 seconds.

