

Go to [www.vtechphones.com](http://www.vtechphones.com) to register your product for enhanced warranty support and the latest VTech product news.

VM3251  
VM3251-2  
Video Monitor



**vtech**  
User's manual

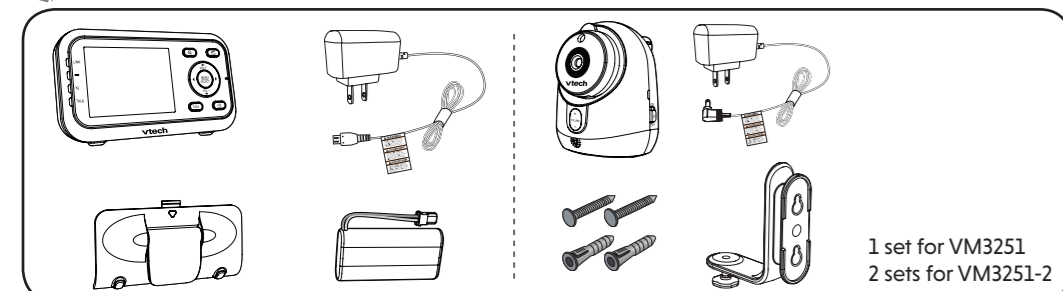
## CONGRATULATIONS

on purchasing your new VTech product. Before using this product, please read **Important safety instructions**.

This manual has all the feature operations and troubleshooting necessary to install and operate your new VTech product. Please review this manual thoroughly to ensure proper installation and operation of this innovative and feature-rich VTech product.

For support, shopping, and everything new at VTech, visit our website at [www.vtechphones.com](http://www.vtechphones.com).

## WHAT'S IN THE BOX



## 1 CONNECT AND CHARGE THE BATTERY

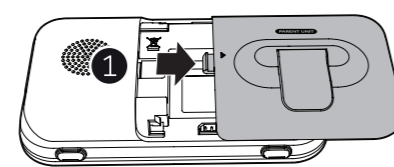
### Install the battery

The parent unit runs on rechargeable battery or AC power. To continuously monitor your baby, make sure you use both battery and AC power at the same time. With the battery alone, the parent unit can cordlessly run for a short time only.

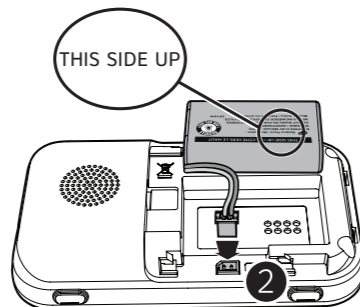
#### NOTES

- Use only the battery supplied with this product.
- If the parent unit will not be used for a long time, disconnect and remove the battery to prevent possible leakage.

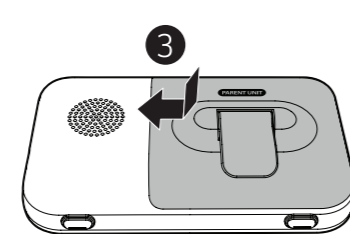
- Press down on the battery compartment cover to pull it out.



- Make sure the label **THIS SIDE UP** is facing up while inserting the battery



- Push the battery compartment cover back until it secures into place.



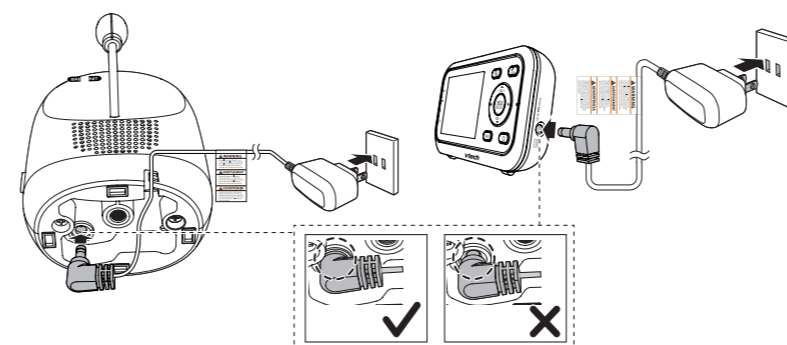
### Replace the battery

To replace the battery, press down on the battery compartment cover and pull it out, then follow the steps above to install the battery.

### Connect the baby monitor

#### NOTES

- Use only the power adapters supplied with this product.
- Make sure the baby monitor is not connected to the switch controlled electric outlet.
- Connect the power adapters in a vertical or floor mount position only. The adapters' prongs are not designed to hold the weight of baby monitor, so do not connect them to any ceiling, under-the-table, or cabinet outlets. Otherwise, the adapters may not properly connect to the outlets.
- Make sure the parent unit, the baby unit and the power adapter cords are out of reach of children.



### Charge the parent unit battery

When you have connected and turned on the parent unit, the battery will be charged automatically. The battery icon indicates the battery status (see the following table).

#### NOTES

- The parent unit battery is fully charged after 11 hours of continuous charging.
- It takes longer to charge the battery when the parent unit is turned on. To shorten the charging time, turn the parent unit off while charging.
- The standby time varies depending on the volume level you set and your actual use.

BATTERY INDICATORS	BATTERY STATUS	ACTION
The battery icon is off and	No battery is installed but operates using AC power, or the battery has been installed incorrectly.	Install the parent unit battery. Charge without interruption (at least 30 minutes).
The screen displays <b>Battery low at Parent Unit</b> and	The battery has very little charge and may be used for only a short time.	Charge without interruption (about 30 minutes).
The battery icon becomes solid	The battery is fully charged.	To keep the battery charged, connect it to AC power when not in use.

## 2 BEFORE USE

#### NOTE

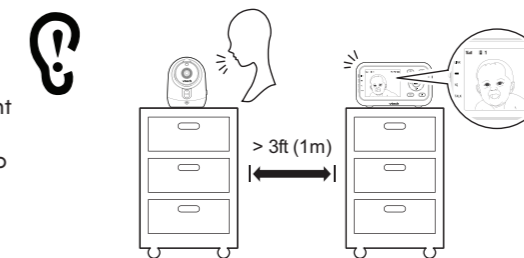
- This baby monitor is intended as an aid. It is not a substitute for proper adult supervision, and should not be used as such.

### Test your baby monitor

You may test the baby monitor before initial use, and at regular times thereafter.

#### CAUTION

- For hearing protection, make sure the parent unit is more than 3 feet (1 meter) away from both baby units. If you hear any high-pitched noise, move the parent unit further until the noise stops. You can also press **VOL-** on the parent unit to lower or reduce the noise.



- Make sure your baby unit and parent unit are on.
- The parent unit displays images from the baby unit.

- Speak towards the microphone of the baby unit. You will hear the sound at the parent unit.

- If you have two baby unit, view the image from one of them by pressing at the right side of your parent unit. Then, repeat step 2.

#### NOTE

- When the parent unit displays **No link to Camera**, and the **LINK** LED light flashes, move the parent unit closer to the baby units (observe the minimum distance of 3 feet / 1 meter). You can also check if the baby unit is connected to a live power socket and switched on.

#### TIP

- Increase the speaker volume of the parent unit if you cannot hear the sounds transmitted from the baby units.

### Positioning the baby monitor

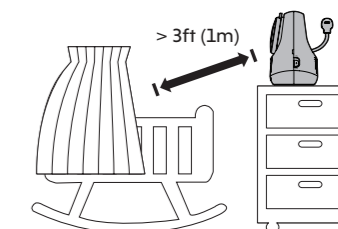
#### CAUTION

- Keep the baby unit out of the reach of your baby. Never place or mount the baby unit inside the baby's crib or playpen.

#### NOTE

- To avoid interference from other electronic devices, place your baby monitor far away from devices such as wireless routers, microwaves, cell phones and computers.

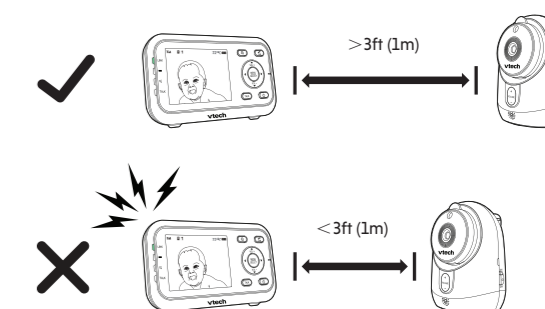
- Place the baby units more than 3 feet (1 meter) away from your baby.



- Flip down the camera on the baby unit to adjust the angle according to your preference.



- Place the parent unit more than 3 feet (1 meter) away from the baby units.



#### CAUTION

- The default volume of your parent unit is level 4, and the maximum volume is level 5. If you experience high-pitched screaming noise from your baby monitor while positioning:
  - Make sure your baby units and parent unit are more than 3 feet (1 meter) apart, OR
  - Lower the volume of your parent unit.

### Operating range

The operating range of the baby monitor is up to 1000 feet (300 meters) outdoors or 160 feet (50 meters) indoors. The actual operating range may vary depending on the environmental conditions and other interferences such as walls, doors and other obstructions.

## 3 USING THE BABY MONITOR

### Power on or off the baby unit

- Slide the **ON/OFF** switch to **ON** to turn on the baby unit. The **POWER** LED light turns on.
- Slide the **ON/OFF** switch to **OFF** to turn off the baby unit. The **POWER** LED light turns off.

### Power on or off the parent unit

- Press and hold to turn on the parent unit. The screen turns on.
- Press and hold again to turn off the parent unit. The screen turns off.

### Turn on or off the parent unit screen

You can turn on or off the parent unit screen without powering off the parent unit. You can still hear sound from the baby units.

- Press **LCD ON/OFF** on the parent unit to turn off the screen.
- Press any key on the parent unit to turn on the screen again.

### Adjust speaker volume

#### For parent unit:

- Press **VOL-/VOL+** on the parent unit to adjust the speaker volume.

#### NOTE

- When the parent unit speaker volume is set to zero, appears on the screen and the lights turn on.

#### For baby unit:

The baby unit speaker volume determines the talkback volume transmitted from your parent unit.

- Press **+VOLUME/-** on the baby unit to adjust the speaker volume.

### Adjust LCD brightness

You can change the brightness of the parent unit screen from **Level 1** to **Level 5**. The LCD brightness is preset to **Level 3**.

- Press **MENU** when the parent unit is idle.
- Press or to choose , then press **SELECT** or **▲**.
- Press or to choose the desired level of brightness, then press **SELECT**.

### Lullaby

You can play the lullabies on the baby unit using the parent unit. On the baby unit, you can control the volume level of the lullabies.

#### Playing lullabies

- Press **MENU** when the parent unit is idle.
- Press or to choose , then press **▲**.
- Press or to choose a lullaby, or choose to stop playing.
- Press **SELECT** to confirm your selection.

### Volume level control on baby unit

- Press **VOL+** to increase the volume level of the lullaby on the baby unit.
- Press **VOL-** to decrease the volume level of the lullaby on the baby unit.

#### NOTES

- Once the lullabies are played, the setting will be applied to the last viewed camera.
- The lullaby playback on the baby unit will be paused when receiving talkback from the parent unit.

### Screen off timer

You can set the screen off time for the parent unit when there is no key press for a specific time interval.

When the screen is turned off, you can still hear sound from the baby unit.

- Press **MENU** when the parent unit is idle.
- Press or to choose , then press **SELECT** or **▲**.
- Press or to choose the desired time period to automatically turn off screen (**5 min/30 min/60 min/OFF**), then press **SELECT** to confirm your selection.

### Monitoring mode \* for VM3251-2 only

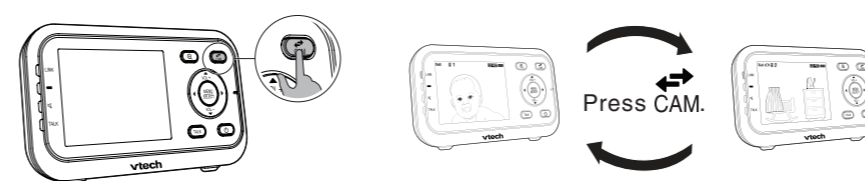
Every time the parent unit is turned on, it displays a baby unit in **Single CAM** mode. If there are two baby units in your system, you can also monitor your baby in **Patrol** mode.

**Single CAM** The screen displays image of a single baby unit in full screen.

**Patrol** A single cam view that transitions to a different baby unit every 10 seconds.

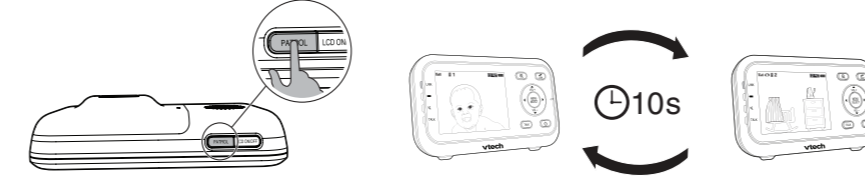
### To switch to another camera:

- Press to view the next baby unit.



### To enter Patrol mode:

- Press **PATROL** to switch to **PATROL** mode if you are in **SINGLE-CAM** mode, and vice versa.



### Monitor the temperature

Your baby unit monitors the temperature of your baby's room with its built-in temperature sensor. If the detected temperature is out of the preset temperature range, the parent unit will display an alert message.

#### Set temperature range

You can set the desired room temperature alert range. The minimum temperature can be set between **50 °F (10 °C)** and **76 °F (24 °C)**. The maximum temperature can be set between **77 °F (25 °C)** and **102 °F (39 °C)**.

- Press **MENU** when the parent unit is idle.
- Press or to choose , then press **▲**.
- Press or to choose or , then press **SELECT**.
- Press or to choose or , then press **SELECT**.
- Press or to choose the desired minimum or maximum temperature, then press **SELECT** to confirm your selection.

#### Temperature alert tone

You can turn on the temperature alert tone so that the parent unit will emit an alert tone if the detected temperature is out of range.

- Press **MENU** when the parent unit is idle.
- Press or to choose , then press **▲**.
- Press or to choose , then press **SELECT**.
- Press or to choose or , then press **SELECT** to confirm your selection.

#### Temperature format

You can choose to display the temperature in Fahrenheit (°F) or Celsius (°C).

- Press **MENU** when the parent unit is idle.
- Press or to choose , then press **▲**.
- Press or to choose or , then press **SELECT**.
- Press or to choose or , then press **SELECT** to confirm your selection.

### Zoom

You can zoom in while viewing images from the baby unit.

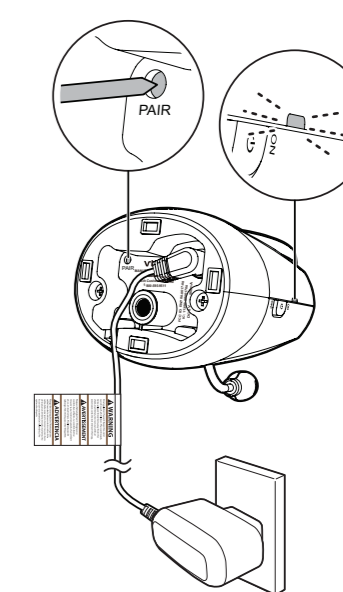
- Press to zoom in.
- Press or to move the zoomed image upward or downward.
- Press or to move the zoomed image leftward or rightward.
- Press again to zoom out.

### Pair extra new baby unit (VM3211)

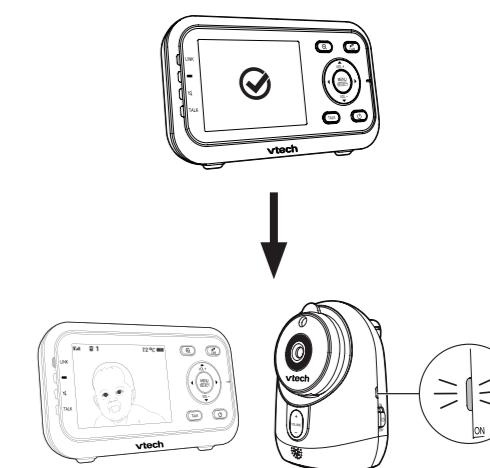
You can add or replace any baby units (**VM3211**, purchased separately) to your **VM3251/VM3251-2** Video Monitor with Adjustable Lens. You can pair a maximum of four baby units to your parent unit.

- Press **MENU** when the parent unit is idle.
- Press or to choose , then press **▲** to select.
- Press or to choose an empty baby unit slot (, , or ) then press **SELECT**. The parent unit screen displays .

- Use a narrow-pointed object, such as a pen, to press **PAIR** on the bottom of the baby unit.
  - The **ON/OFF** LED light at the side of baby unit flashes quickly when pairing.



When pairing is successful, the parent unit screen displays and the **LINK** light turns on. The view of the newly paired baby unit in **SINGLE-CAM** mode will be shown on the parent unit. The **ON/OFF** LED light on the new baby unit remains on.



#### NOTES

- If pairing fails, the screen displays Try the pairing process again.
- Only one baby unit can be paired at a time.

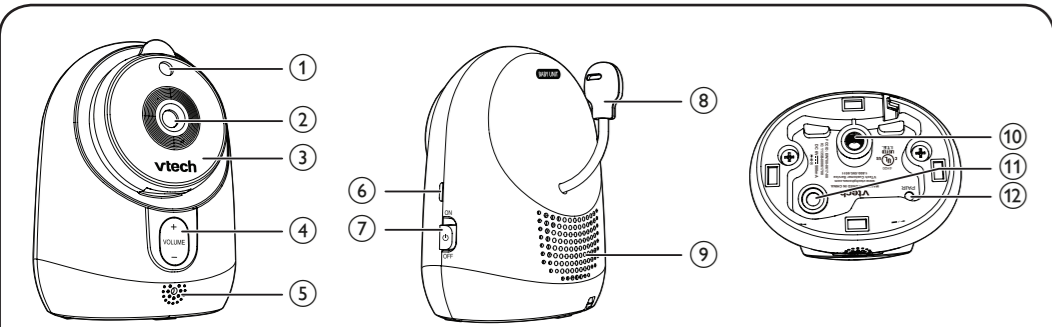
Document order number: 91-010414-040-100  
All rights reserved ©2016 VTech Communications, Inc. C18\_V16



## TECHNICAL SPECIFICATIONS

Frequency control	Crystal controlled PLL synthesizer
Transmit frequency	Baby unit: 2405 - 2475 MHz Parent unit: 2405 - 2475 MHz
Channels	32
LCD	2.8" Color LCD (QVGA 320x240 pixel)
Nominal effective range	Maximum power allowed by FCC and IC. Actual operating range may vary according to environmental conditions at the time of use.
Power requirements	Parent unit: 3.6V Ni-MH battery Baby unit power adapter: Output: 6V DC @ 500mA Parent unit power adapter: Output: 6V DC @ 500mA
Power requirements	Parent unit: 3.6V Ni-MH battery Baby unit power adapter: Output: 6V DC @ 500mA Parent unit power adapter: Output: 6V DC @ 500mA
Nominal effective range	Maximum power allowed by FCC and IC. Actual operating range may vary according to environmental conditions at the time of use.
LCD	2.8" Color LCD (QVGA 320x240 pixel)
Channels	32
Transmit frequency	Baby unit: 2405 - 2475 MHz Parent unit: 2405 - 2475 MHz
Frequency control	Crystal controlled PLL synthesizer

## BABY UNIT OVERVIEW

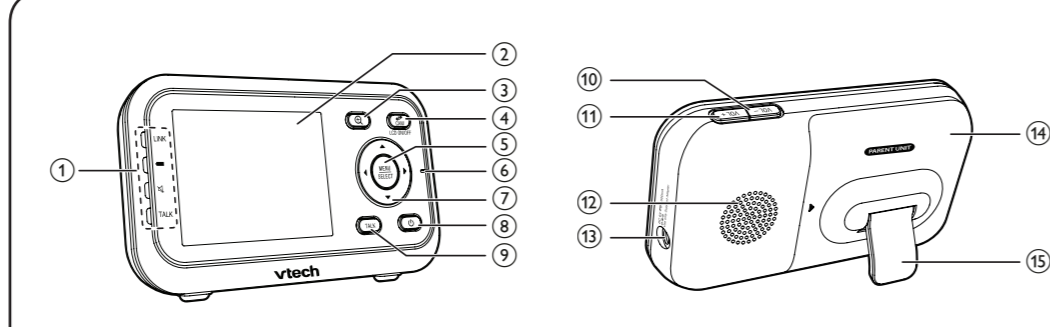


- Light sensor**
- Camera**
- Infrared LEDs**
- /VOLUME/+**
  - Press to adjust the speaker volume. It determines the talkback volume transmitted from your parent unit.
- Microphone**
- ON/OFF LED light**
  - On when the baby unit is turned on and is paired to the parent unit.
  - Flashes when the baby unit is not being viewed; or when the link to the parent unit is lost.
- ON/OFF switch**
  - Slide to turn on or off the baby unit.
- Temperature sensor**
- Speaker**
- Wall mount holes**
- Power Jack**
- PAIR**
  - Your baby units and parent unit provided are already paired.
  - Press on the accessory baby units (**VM3211**, purchased separately) to pair to the parent unit.

## PARENT UNIT LIGHTS

- LINK**
- On when the parent unit is linked to the baby unit.
  - Flashes when the link to the baby unit being viewed is lost.
- LINK**
- On when the parent unit is connected to AC power, or the battery is charging.
  - Flashes when the parent unit battery is low and needs charging.
  - Off when the parent unit is disconnected from AC power.
- TALK**
- On when the parent unit is talking to the baby unit.
  - On when the parent unit is talking to the baby unit.

## PARENT UNIT OVERVIEW



- LED lights**
  - Indicate the different statuses of the parent unit. For details, refer to **Parent unit lights**.
- LCD display**
- Zoom**
  - Press to zoom in or out while viewing image.
- CAM**
  - Press to change the screen to view images from different baby units.
  - For VM3251-2 only
- LCD ON/OFF**
  - Press **and hold** to turn on or off the LCD screen.
- MENU/SELECT**
  - Press to enter the menu or submenu.
  - While in a sub-menu, press to choose an item, or save a setting.
- Microphone**
  - While in a menu, press to scroll up, or to enter an item's sub-menu.
  - While zooming, **press and hold** to move the zoomed image upward.
  - While in a menu, press to scroll down.
  - While zooming, **press and hold** to move the zoomed image downward.
- While in a menu, press to choose the next item on the left, or enter into the submenu, if any.**
- While zooming, press and hold to move the zoomed image leftward.**
- While in a menu, press to choose the next item on the right, or return to the main menu while in submenu.**
- While zooming, press and hold to move the zoomed image rightward.**
- On/off**
  - Press **and hold** to power on.
  - Press **and hold** again to power off.
- TALK**
  - Press **and hold** to talk to the selected baby unit.
- VOL-**
  - Turn down the volume when the speaker is on.
- VOL+**
  - Turn up the volume when the speaker is on.
- Speaker**
- Power jack**
- Battery compartment cover**
- Stand**

## PARENT UNIT ICONS

- Status icons**
- Y** **Connection status**
- Y** or **Y** displays when strong signal strength is detected between the baby unit and the parent unit.
  - Y** or **Y** displays when moderate or low signal strength is detected between the baby unit and the parent unit.
- Patrol mode**
- Displays when the parent unit is in **PATROL** mode.
  - For VM3251-2 only
- Current view status**
- Displays the baby unit number of the baby unit that is being viewed.
- Zoom**
- Displays when the current image on the parent unit has zoomed in.
- Night vision**
- Displays when the baby unit being viewed has activated the night vision feature.
- Lullaby**
- Displays when a lullaby is playing.
- Talkback**
- Displays when talking back to the baby units from parent unit.
- 6-level sound indicator**
- Displays the sound level according to the scales of loudness when there is sound transmitted from the baby unit.
- || (1 to 2 bars) indicates low sound level detected by the baby unit.
  - |||| (3 to 4 bars) indicates moderate sound level detected by the baby unit.
  - ||||| (5 to 6 bars) indicates high sound level detected by the baby unit (e.g. baby crying loudly).
- Mute alert**
- Displays when the parent unit is talking to the baby unit.
- Real-time temperature**
- Displays the real-time temperature detected by the baby unit in Fahrenheit (°F) or Celsius (°C) (e.g. **57 °F** or **14 °C**).
- Battery status**
- animates when the battery is charging.
  - displays solid when the battery is fully charged.
  - displays when the battery is low and needs charging.
- AC power without battery**
- Displays when the parent unit is connected to AC power without the battery.
- Speaker volume**
- Displays the parent unit speaker volume level while adjusting.

## FREQUENTLY ASKED QUESTIONS (CON'T)

Why don't the power-on light of the baby unit and parent unit go on when I switch on the units?	Perhaps the parent unit is not connected to the power. Insert the appliance plug into the parent unit and put the adapter in a wall socket. Then, <b>press and hold</b> to switch on the parent unit and to establish connection with the baby unit.
Why do I get glare or blurry display on my screen when viewing my baby at night?	Perhaps the baby unit is not connected to the power. Insert the appliance plug into the baby unit and put the adapter in a wall socket. Then, slide the <b>ON/OFF switch</b> to <b>ON</b> to switch on the baby unit and to establish connection with the parent unit.
Why does the baby monitor produce a high-pitched noise?	Make sure the power is not controlled by a wall switch.
Why does the parent unit beep?	Make sure the battery is correctly installed in your parent unit. You may have used the battery for a long time. Replace a new battery.
Why is my screen in black and white?	The screen is in black and white during night-time or in a dark room when the night vision feature is activated. This is normal.
Why do I get glare or blurry display on my screen when viewing my baby at night?	During night-time or in a dark room, the surroundings and other interfering factors, like lightings, objects, colors and backgrounds may affect the image quality on your parent unit screen. Adjust the baby unit's angle or place the baby unit at a higher level to prevent glare and blurry display.
Why does the baby monitor produce a high-pitched noise?	The parent unit and baby units may be too close to each other. <ul style="list-style-type: none"><li>Move the parent unit away from the baby units until the noise stops; OR</li><li>Turn down the volume of your parent unit.</li></ul>
Why does the parent unit beep?	The baby units may be out of range. Move the parent unit closer to the baby units (but not less than 3 feet).
The <b>ON/OFF</b> light on the baby unit flashes and the parent unit displays .	The parent unit may not have enough charge for the parent unit to perform normally. Charge the battery in the parent unit for up to 11 hours.
I have accidentally unpaired my baby unit.	The temperature of your baby's room may be too high or too low. Follow below steps to pair the baby unit. Make sure both parent unit and baby unit are on before pairing. <ol style="list-style-type: none"><li>Press <b>MENU</b> when the parent unit is idle.</li><li>Press  or  to choose  then press <b>▲</b> to select.</li><li>Press  or  to choose an empty baby unit slot .</li><li>Use a narrow-pointed object, such as a pen, to press <b>PAIR</b> on the bottom of the baby unit.<ul style="list-style-type: none"><li>The <b>ON/OFF</b> LED light at the side of baby unit flashes quickly when pairing.</li></ul></li></ol> When pairing is successful, the parent unit screen displays  and the LINK light turns on. The view of the newly paired baby unit in <b>SINGLE-CAM</b> mode will be shown on the parent unit. The <b>ON/OFF</b> LED light on the new baby unit remains on. <ul style="list-style-type: none"><li>If pairing fails, the screen displays . Try the pairing process again.</li><li>Only one baby unit can be paired at a time.</li></ul>
Why don't I hear a sound/Why can't I hear my baby cry?	The parent unit speaker volume may be too low. Press <b>VOL+</b> to increase the volume, or use the parent unit menu to change sound sensitivity level to the highest level ( <b>level 5</b> ).
Why can't I establish a connection? Why is the connection lost every now and then? Why are there sound interferences?	The baby units may be out of range. Move the parent unit closer to the baby units (but not less than 3 feet). Other electronic products may cause interference with your baby monitor. Try installing your baby monitor as far away from these electronic devices as possible. If pairing fails, the screen displays . Try the pairing process again. <ul style="list-style-type: none"><li>Only one baby unit can be paired at a time.</li></ul>
Why can't I hear a sound/Why can't I hear my baby cry?	The parent unit speaker volume may be too low. Press <b>VOL+</b> to increase the volume, or use the parent unit menu to change sound sensitivity level to the highest level ( <b>level 5</b> ).
Why can't I establish a connection? Why is the connection lost every now and then? Why are there sound interferences?	The baby units may be out of range. Move the parent unit closer to the baby units (but not less than 3 feet). Other electronic products may cause interference with your baby monitor. Try installing your baby monitor as far away from these electronic devices as possible. If pairing fails, the screen displays . Try the pairing process again. <ul style="list-style-type: none"><li>Only one baby unit can be paired at a time.</li></ul>
Why can't I hear a sound/Why can't I hear my baby cry?	The parent unit speaker volume may be too low. Press <b>VOL+</b> to increase the volume, or use the parent unit menu to change sound sensitivity level to the highest level ( <b>level 5</b> ).
Why can't I establish a connection? Why is the connection lost every now and then? Why are there sound interferences?	The baby units may be out of range. Move the parent unit closer to the baby units (but not less than 3 feet). Other electronic products may cause interference with your baby monitor. Try installing your baby monitor as far away from these electronic devices as possible. If pairing fails, the screen displays . Try the pairing process again. <ul style="list-style-type: none"><li>Only one baby unit can be paired at a time.</li></ul>

## IMPORTANT SAFETY INSTRUCTIONS

- When using your equipment, basic safety precautions should always be followed to reduce the risk of fire, electric shock and injury, including the following:
- Follow all warnings and instructions marked on the product.
  - Adult setup is required.
  - This product is intended as an aid. It is not a substitute for responsible and proper adult supervision and should not be used as such.
  - This product is not intended for use as a medical monitor.
  - Do not use this product near water. For example, do not use it next to a bath tub, wash bowl, kitchen sink, laundry tub, swimming pool, or in a wet basement or shower.
  - CAUTION:** Use only the batteries indicated in this manual. There may be a risk of explosion if a wrong type of battery is used for the parent unit. Use only the supplied rechargeable battery or replacement battery pack (B1207895) for the parent unit. Do not dispose of batteries in a fire. They may explode. Dispose of used battery according to the information in **The RBRC seal**.
  - Use only the adapters included with this product. Incorrect adapter polarity or voltage can seriously damage the product. Baby unit power adapter: Output: 6V DC 500mA; Parent unit power adapter: Output: 6V DC 500mA.
  - The power adapters are intended to be correctly oriented in a vertical or floor mount position. The prongs are not designed to hold the plug in place if it is plugged into a ceiling, under-the-table or cabinet outlet.
  - For pluggable equipment, the socket-outlet shall be installed near the equipment and shall be easily accessible.
  - Unplug this product from the wall outlet before cleaning. Do not use liquid or aerosol cleaners. Use a damp cloth for cleaning.
  - Unplug the power cords before replacing batteries.
  - Do not cut off the power adapters to replace them with other plugs, as this causes a hazardous situation.
  - Do not allow anything to rest on the power cords. Do not install this product where the cords may be walked on or crimped.
  - However, there is no guarantee that interference will not occur in a particular installation. If this equipment does cause harmful interference to radio or television reception, which can be determined by turning the equipment off and on, the user is encouraged to try to correct the interference by one or more of the following measures:
    - Reorient or relocate the receiving antenna.
    - Increase the separation between the equipment and receiver.
    - Connect the equipment into an outlet on a circuit different from that to which the receiver is connected.
    - Consult the dealer or an experienced radio/TV technician for help.
  - WARNING:** Changes or modifications to this equipment not expressly approved by the party responsible for compliance could void the user's authority to operate the equipment.
  - This device complies with Part 15 of the FCC rules. Operation is subject to the following two conditions: (1) this device may not cause harmful interference, and (2) this device must accept any interference received, including interference that may cause undesired operation.
  - To ensure safety of users, the FCC has established criteria for the amount of radio frequency energy that can be safely absorbed by a user or bystander according to the intended usage of the product. This product has been tested and found to comply with the FCC criteria. Caution: This transmitter must be installed to provide a separation distance of at least 20cm from all persons. The transmitter and antenna of the parent unit shall be held at least 1.5 cm (2.5 cm) from your face.
  - This Class B digital apparatus complies with Canadian requirement: CAN ICES-3 (B)/NMB-3(B)

- CAUTIONS**
- Use and store the product at a temperature between 32°F and 104°F.
  - Do not expose the product to extreme cold heat or direct sunlight. Do not put the product close to a heating source.
  - Batteries should not be exposed to excessive heat such as bright sunshine or fire.
  - Warning**—Strangulation Hazard—Children have STRANGLED in cords. Keep this cord out of the reach of children (more than 3 ft (0.9m) away). Do not remove this tag.
  - Never place the baby unit(s) inside the baby's crib or playpen. Never cover the baby unit(s) or parent unit with anything such as a towel or a blanket.
  - Other electronic products may cause interference with your baby monitor. Try installing your baby monitor as far away from these electronic devices as possible: wireless routers, radios, cellular telephones, telephones, room monitors, televisions, personal computers, kitchen appliances and cordless telephones.

- Precautions for users of implanted cardiac pacemakers**
- Cardiac pacemakers (applies only to digital cordless devices): Wireless Technology Research, LLC (WTR), an independent research entity, led a multidisciplinary evaluation of the interference between portable wireless devices and implanted cardiac pacemakers. Supported by the U.S. Food and Drug Administration, WTR recommends to physicians that:
- Pacemaker patients**
- Should keep wireless devices at least six inches from the pacemaker.
  - Should NOT place wireless devices directly over the pacemaker, such as in a breast pocket, when it is turned ON.
- WTR's evaluation did not identify any risk to bystanders with pacemakers from other persons using wireless devices.
- Electromagnetic fields (EMF)**
- This VTech product complies with all standards regarding electromagnetic fields (EMF). If handled properly and according to the instructions in this user's manual, the product is safe to be used based on scientific evidence available today.

## THE RBRC® SEAL



The RBRC® seal on the Ni-MH battery indicates that VTech Communications, Inc. is voluntarily participating in an industry program to collect and recycle these batteries at the end of their useful lives, when taken out of service within the United States and Canada.

The RBRC® program provides a convenient alternative to placing used Ni-MH batteries into the trash or recycling bin. The RBRC® program is a voluntary program that allows consumers to return their used Ni-MH batteries to participating in the RBRC® program or at authorized VTech product service centers. Please call **1 (800) 8 BATTERY** for information on Ni-MH battery recycling and disposal bans/restrictions in your area. VTech's involvement in this program is part of its commitment to protecting our environment and conserving natural resources.

**RBRC® and 1 (800) 8 BATTERY® are registered trademarks of the Rechargeable Battery Recycling Corporation.**

## FCC AND IC REGULATIONS

- FCC Part 15**
- This equipment has been tested and found to comply with the requirements for a Class B digital device under Part 15 of the Federal Communications Commission (FCC) rules. These requirements are intended to provide reasonable protection against harmful interference in a residential installation. This equipment generates, uses and can radiate radio frequency energy and, if not installed and used in accordance with the instructions, may cause harmful interference to radio communications. However, there is no guarantee that interference will not occur in a particular installation. If this equipment does cause harmful interference to radio or television reception, which can be determined by turning the equipment off and on, the user is encouraged to try to correct the interference by one or more of the following measures:
- Reorient or relocate the receiving antenna.
  - Increase the separation between the equipment and receiver.
  - Connect the equipment into an outlet on a circuit different from that to which the receiver is connected.
  - Consult the dealer or an experienced radio/TV technician for help.
- WARNING:** Changes or modifications to this equipment not expressly approved by the party responsible for compliance could void the user's authority to operate the equipment.
- This device complies with Part 15 of the FCC rules. Operation is subject to the following two conditions: (1) this device may not cause harmful interference, and (2) this device must accept any interference received, including interference that may cause undesired operation.
- To ensure safety of users, the FCC has established criteria for the amount of radio frequency energy that can be safely absorbed by a user or bystander according to the intended usage of the product. This product has been tested and found to comply with the FCC criteria. Caution: This transmitter must be installed to provide a separation distance of at least 20cm from all persons. The transmitter and antenna of the parent unit shall be held at least 1.5 cm (2.5 cm) from your face.
- This Class B digital apparatus complies with Canadian requirement: CAN ICES-3 (B)/NMB-3(B)
- Industry Canada**
- This device complies with Industry Canada licence-exempt RSS standard(s). Operation is subject to the following two conditions: (1) this device may not cause harmful interference, and (2) this device must accept any interference, including interference that may cause undesired operation. The term "IC": before the certification/registration number only signifies that the Industry Canada technical specifications were met.
- This product meets the applicable Innovation, Science and Economic Development Canada technical specifications.
- FCC RF radiation exposure statement**
- The baby unit complies with FCC RF radiation exposure limits set forth for an uncontrolled environment. The baby unit should be installed and operated with a minimum distance of 8 in (20 cm) between the baby unit and all persons' body. Use of other accessories may not ensure compliance with FCC RF exposure guidelines. This transmitter must not be co-located or operating in conjunction with any other antenna or transmitter. This equipment complies also with Industry Canada RSS-102 with respect to Canada's Health Code 6 for Exposure of Humans to RF Fields.

## CALIFORNIA ENERGY COMMISSION BATTERY CHARGING TESTING MODE

This baby monitor meets the California Energy Commission (CEC) regulations for energy consumption. Your baby monitor is set up to comply with the energy-conserving standards right out of the box. Follow the instructions to install and charge the battery. The CEC battery charging testing mode is activated while charging. Even if the parent unit is paired to baby units, the CEC battery charging testing mode is activated while it is powered off and charging.

## Main menu icons

- Brightness**
- You can change the brightness of the parent unit screen.
- Pairing baby unit**
- The baby unit and parent unit provided are already paired. You can add or replace baby units (**VM3211**, purchased separately) to your baby monitor system.
- LCD screen off timer**
- You can set a specific time to screen off your parent unit.
- Temperature**
- You can choose to set the maximum/minimum temperature and turn on the temperature alert tone so that the parent unit beeps whenever the room temperature detected by the baby unit falls outside of the desired temperature range.
- You can also choose to display the temperature in Fahrenheit (°F) or Celsius (°C) on your parent unit.
- Lullaby**
- You can select, play, or stop a lullaby.

## Warning icons and messages

- /No link to Camera** The selected baby unit is out of range or is turned off.
- /Battery low at Parent Unit** The battery unit is empty and needs to be recharged.
- Pairing is completed.**
- Camera switching, pairing is in progress.**
- Camera switching, pairing is failed.**
- /Temperature too high** or **/Temperature too low** The temperature detected by the baby unit is higher/lower than the desired temperature alert range.
- OR** **OR** **OR** The baby unit is unpairing from the parent unit.
- The parent unit is searching for baby units.

## NIGHT VISION

- The baby unit has infrared LEDs that allow you to see your baby clearly at night or in a dark room. When the baby unit being viewed detects low light levels, the infrared LEDs are switched on automatically. The images from the baby unit are in black and white, and appears on the screen.
- NOTES**
- It is normal if you see a short white glare on your parent unit screen as the baby unit is adapting to the dark environment.
  - When the infrared LEDs are on, the images are in black and white. This is normal.
- Tip**
- Depending on the surroundings and other interfering factors, like lightings, objects, colors and backgrounds, the display resolution may vary. Adjust the baby unit's angle or place the baby unit at a higher level to prevent glare and blurry display.

## MOUNT THE BABY UNIT (OPTIONAL)

Your baby monitor comes ready for tabletop use. You can also choose to mount your baby monitor on the wall. See Mount the baby unit on dry wall (optional) in the **Quick Start Guide** for the wall mounting instructions.

## GENERAL PRODUCT CARE

- To keep this product working well and looking good, follow these guidelines:
- Avoid putting it near heating appliances and devices that generate electrical noise (for example, motors or fluorescent lamps).
  - DO NOT expose it to direct sunlight or moisture.
  - Avoid dropping the product or treating it roughly.
  - Clean with a soft cloth.
  - DO NOT immerse the parent unit and the baby unit in water and do not clean them under the tap.
  - DO NOT use cleaning spray or liquid cleaners.
  - Make sure the baby unit and parent unit are dry before you connect them to the mains again.

## STORAGE

When you are not going to use the baby monitor for some time, remove the rechargeable battery from the parent unit. Store the parent unit, the baby unit and the adapters in a cool and dry place.

## FREQUENTLY ASKED QUESTIONS

Below are the questions most frequently asked about the baby monitor. If you cannot find the answer to your question, visit our website at [www.vtechphones.com](http://www.vtechphones.com), or contact **1 (800) 595-9511** for customer service.

Why does the baby monitor not respond normally?	Try the following (in the order listed) for common cure: <ol style="list-style-type: none"><li>Disconnect the power to the baby units and the parent unit.</li><li>Remove the batteries in the parent unit. Then, install the batteries again.</li><li>Wait a few seconds before connecting power back to the baby units and the parent unit.</li><li>Turn on the baby units and the parent unit.</li><li>Wait for the parent unit to synchronize with the baby units. Allow up to one minute for this to take place.</li></ol>
-------------------------------------------------	---------------------------------------------------------------------------------------------------------------------------------------------------------------------------------------------------------------------------------------------------------------------------------------------------------------------------------------------------------------------------------------------------------------------------------------------------------------------------------------------------------------------------------

## FOR CETL COMPLIANCE ONLY

- Mesures de sécurité importantes**
- Lorsque vous utilisez votre appareil, vous devriez toujours suivre certaines mesures de précaution de base afin de réduire les risques d'incendie, d'électrocution et de blessures corporelles, dont ceux qui suivent :
- Observez toutes les instructions et mises en garde inscrites sur l'appareil.
  - L'installation par un adulte est requise.
  - Ce produit a été conçu pour être un dispositif d'appoint seulement. Il n'est pas le remplacement d'une supervision responsable et adéquate par un adulte et ne devrait pas être utilisé comme tel.
  - Ce produit n'est pas conçu pour être utilisé en tant que moniteur médical.
  - N'utilisez pas cet appareil près de l'eau ni de toute autre source d'humidité, par exemple, près d'une baignoire, cuve à lessive, évier de cuisine, dans un sous-sol humide ni près d'une piscine, dans un sous-sol humide ou une douche.
  - MISE EN GARDE:** Utilisez uniquement les piles fournies. Il existe un risque d'explosion si un autre type de batterie est utilisé pour l'unité Parents. N'utilisez que le bloc-piles rechargeable inclus ou le bloc-piles de rechange (B1207895). N'incinerez pas les piles. Celles-ci risqueraient d'exploser. Jetez les piles usées selon les renseignements sur le **scellé du RBRC**.
  - N'utilisez que les adaptateurs inclus avec ce produit. L'utilisation d'un adaptateur dont la polarité ou la tension serait inadéquate risque d'endommager sérieusement le produit et mettre votre sécurité en péril. Adaplateur de l'unité du bébé: Sortie: 6V CC 500mA.
  - Lorsqu'ils sont branchés dans une prise de courant, les adaptateurs secteur ont été conçus pour être orientés correctement, soit à la verticale ou au plancher. Les broches n'ont pas été conçues pour supporter les poids du bloc d'alimentation et le maintient en place si celui-ci est branché dans une prise au plafond, sous une table ou dans un meuble.
  - Pour les **PRODUITS À BRANCHER À UNE PRISE DE COURANT**, la prise de courant doit être installée près du produit, afin d'assurer une accessibilité sécuritaire à la prise de courant.
  - Débranchez ce produit de la prise de courant avant de procéder au nettoyage. N'utilisez pas de nettoyeurs en aérosols. Utilisez un chiffon humide pour le nettoyer.
  - Débranchez les cordons d'alimentation avant de remplacer le bloc-piles.
  - Ne coupez pas les cordons d'alimentation pour remplacer les fiches, car ceci peut présenter un danger potentiel.
  - N laissez aucun objet retenu ni appuyé sur le cordon d'alimentation. N'installez pas cet appareil dans un endroit où l'on risque d'écraser le cordon d'alimentation ou de le piétiner.
  - Ne faites fonctionner cet appareil qu'avec le type d'alimentation indiqué sur l'étiquette. Si vous ne connaissez pas le type d'alimentation que vous possédez à votre domicile, consultez votre marchand ou votre compagnie locale d'électricité.
  - N surchargez pas les prises de courant murales ni les rallonges électriques.
  - Ne placez pas cet appareil sur un chariot, meuble, trépid, support de montage ni table chancelants.
  - N'exposez pas cet appareil à des frottements ou des chocs extrêmes, ainsi qu'à la lumière directe du soleil. Ne l'installez pas près d'une source de chauffage.
  - Ne bloquez sous aucun prétexte ces ouvertures et n'empêchez pas l'aération adéquate de l'appareil en le plaçant sur un lit, divan, tapis ou toute autre surface similaire. De même, ne le positionnez pas à proximité ni au-dessus d'une source de chaleur ou d'un calorifère. De plus, évitez les appareils dans un endroit avant de vous assurer qu'il y ait une bonne circulation d'air.
  - N'enfoncez jamais d'objets à travers les ouvertures de cet appareil, car ils pourraient entrer en contact avec des points de tension dangereuse ou causer des courts-circuits qui peuvent générer en incendies ou en risques d'électrocution. Ne renversez jamais de liquide dans ce produit.
  - Afin de réduire les risques d'électrocution, ne démontez pas cet appareil, mais apportez-le dans un centre de service autorisé. L'ouverture du boîtier ou le retrait de toutes pièces que contient cet appareil, à l'exception de l'accès autorisé à certaines portes ou ouvertures, risque de vous exposer à des points de tension dangereux ou d'autres dangers. Un remontage incorrect peut par la suite présenter des risques d'électrocution.
  - N'utilisez jamais la réception charge fois que vous mettez l'appareil en fonction.
  - Examinez les composantes afin de vérifier si celles-ci ne sont pas endommagées.
  - Soyez avisé de la perte de la confidentialité lorsque vous utilisez les ondes publiques. Les conversations peuvent être entendues par d'autres moniteurs de bébé, des téléphones sans fil, des scanners, etc.
  - Les enfants devraient être supervisés afin de vous assurer qu'ils ne jouent pas avec l'appareil.
  - Le produit n'est pas conçu pour être utilisé par des personnes (incluant des enfants) aux capacités physiques, sensorielles ou mentales réduites ou qui manquent d'expérience et de connaissances, à moins qu'on leur ait donné suffisamment de supervision ou d'instructions relativement à l'utilisation de l'appareil par une personne responsable de leur sécurité.

- CONSERVER CES INSTRUCTIONS**
- Mises en garde**
- Utilisez et entreposez le produit à une température entre 0 ° C (32 ° F) et 40 ° C (104 ° F).
  - N'exposez pas cet appareil à des frottements ou des chocs extrêmes, ainsi qu'à la lumière directe du soleil. Ne l'installez pas près d'une source de chauffage.
  - Le bloc-piles ne doit pas être exposé à la chaleur excessive telle que la lumière du soleil ou au feu.
  - Appuyez-vous sur les ouvertures de l'appareil et le cordon de l'appareil sont toujours en contact avec des points de tension dangereuse (3 pieds) de l'enfant ou du berceau, pour éviter tout risque de strangulation.
  - N jamais placer le moniteur à l'intérieur du berceau ou du parc de bébé. Ne jamais couvrir le moniteur ou l'unité (s) portable avec un article tel que une couverture.
  - D'autres équipements électroniques peuvent produire des interférences sur votre moniteur vidéo et audio. Tentez d'installer votre moniteur vidéo et audio à l'écart des appareils électroniques tels que des routeurs sans fil, des radios, des téléphones cellulaires, interphones, moniteurs, téléphones ordinateurs personnels, électromagnétiques et téléphones sans fil.

- Stimulateurs cardiaques implantés dans l'organisme**
- Les stimulateurs cardiaques (ne s'applique qu'aux dispositifs numériques sans fil) :
- L'organisme Wireless Technology Research, LLC (WTR), une firme de recherche indépendante, a mené une évaluation pluridisciplinaire des interférences entre les stimulateurs cardiaques numériques implantés dans l'organisme. Appuyée par l'Administration des aliments et drogues (FDA) des États-Unis, la firme WTR recommande aux médecins:
- Avs aux détenteurs de stimulateurs cardiaques**
- Vous devriez maintenir les dispositifs sans fil à au moins six pouces du stimulateur cardiaque.
  - Ils ne doivent PAS placer le téléphone sans fil directement sur le stimulateur cardiaque, tel que dans une poche de chemise, lorsque celui-ci est en marche.
- L'étude effectuée par l'organisme WTR n'a pas identifié de risque pour les détenteurs de stimulateurs cardiaques causés par les gens qui utilisent des dispositifs sans fil à proximité de ceux-ci.

**Champs électromagnétiques (EMF)**

Ce produit de VTech est conforme à toutes les normes se rapportant aux champs électromagnétiques (EMF) standard. Si vous le manipulez correctement en suivant les instructions de ce guide, son utilisation sera sécuritaire pendant de nombreuses années, selon les meilleures évidences scientifiques dont nous disposons aujourd'hui.