

Go to [www.vtechphones.com](http://www.vtechphones.com) to register your product for enhanced warranty support and the latest VTech product news.

VM2251  
VM2251-2  
Video Monitor



**vtech**  
User's manual

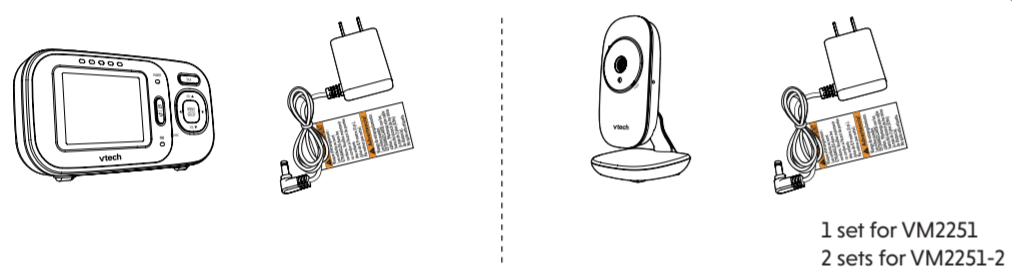
## CONGRATULATIONS

on purchasing your new VTech product. Before using this product, please read **Important safety instructions**.

This manual has all the feature operations and troubleshooting necessary to install and operate your new VTech product. Please review this manual thoroughly to ensure proper installation and operation of this innovative and feature-rich VTech product.

For support, shopping, and everything new at VTech, visit our website at [www.vtechphones.com](http://www.vtechphones.com).

## WHAT'S IN THE BOX



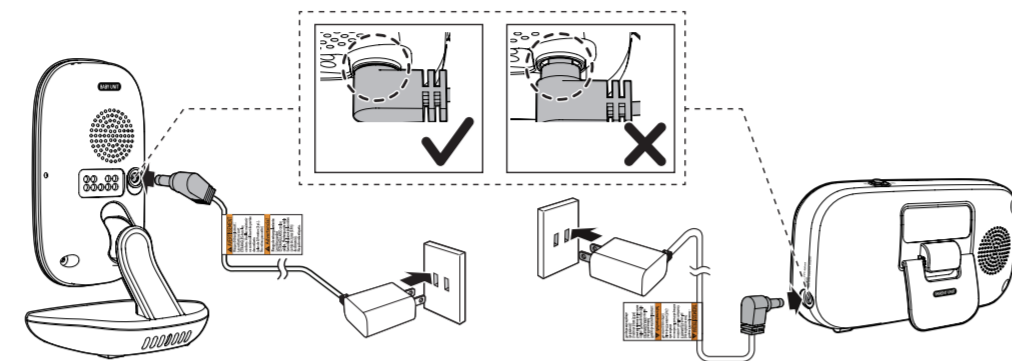
1 set for VM2251  
2 sets for VM2251-2

## 1 CONNECT AND CHARGE THE BATTERY

### NOTES

- The rechargeable battery is pre-installed in your parent unit.
- Use only the power adapters supplied with this product.
- Make sure the baby monitor is not connected to the switch controlled electric outlet.
- Connect the power adapters in a vertical or floor mount position only. The adapters' prongs are not designed to hold the weight of baby monitor, so do not connect them to any ceiling, under-the-table, or cabinet outlets. Otherwise, the adapters may not properly connect to the outlets.
- Make sure the parent unit, the baby unit and the power adapter cords are out of reach of children.

### Connect the baby monitor



### Charge the parent unit battery

When you have connected and turned on the parent unit, the battery will be charged automatically. The battery icon indicates the battery status (see the following table).

### NOTES

- The parent unit battery is fully charged after 11 hours of continuous charging.
- It takes longer to charge the battery when the parent unit is turned on. To shorten the charging time, turn the parent unit off while charging.
- The standby time varies depending on the volume level you set and your actual use.

BATTERY INDICATORS	BATTERY STATUS	ACTION
The screen displays <b>Battery low at Parent Unit</b> . The  or  light flashes.	The battery has very little charge and may be used for only a short time.	Charge without interruption (about 30 minutes).
The battery icon becomes solid .	The battery is fully charged.	To keep the battery charged, connect it to AC power when not in use.

## 2 BEFORE USE

### NOTE

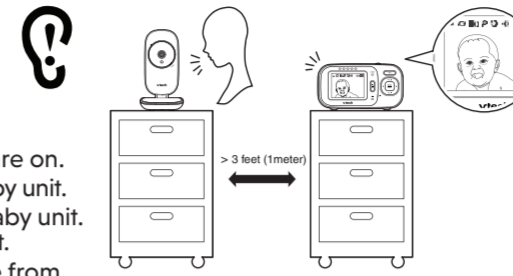
- This baby monitor is intended as an aid. It is not a substitute for proper adult supervision, and should not be used as such.

### Test your baby monitor

You may test the baby monitor before initial use, and at regular times thereafter.

### CAUTION

- For hearing protection, make sure the parent unit is more than 3 feet (1 meter) away from both baby units. If you hear any high-pitched noise, move the parent unit further until the noise stops. You can also press **VOL** on the parent unit to reduce the noise.



- Make sure your baby unit and parent unit are on.
- The parent unit displays images from the baby unit.
  - Speak towards the microphone of the baby unit. You will hear the sound at the parent unit.
- If you have two baby units, view the image from one of them by switching cameras via menu. Then, repeat step 2.

### NOTE

- When the parent unit displays **No link to Camera**, and the **POWER LED** light flashes, move the parent unit closer to the baby units (observe the minimum distance of 3 feet / 1 meter). You can also check if the baby unit is connected to a live power socket and switched on.

### TIP

- Increase the speaker volume of the parent unit if you cannot hear the sounds transmitted from the baby units.

### Positioning the baby monitor

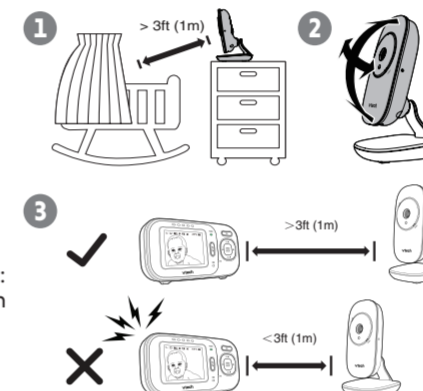
#### CAUTION

- Keep the baby unit out of the reach of your baby. Never place or mount the baby unit inside the baby's crib or playpen.

### NOTE

- To avoid interference from other electronic devices, place your baby monitor far away from devices such as wireless routers, microwaves, cell phones and computers.

- Place the baby units more than 3 feet (1 meter) away from your baby.
- Adjust the angle of the baby unit camera to aim at your baby.
- Place the parent unit more than 3 feet (1 meter) away from the baby units.



### CAUTION

- The default volume of your parent unit is level 3, and the maximum volume is level 5. If you experience high-pitched screaming noise from your baby monitor while positioning:
  - Make sure your baby units and parent unit are more than 3 feet (1 meter) apart, OR
  - Turn down the volume of your parent unit.

### Operating range

The operating range of the baby monitor is up to 1000 feet (300 meters) outdoors or 160 feet (50 meters) indoors. The actual operating range may vary depending on the environmental conditions and other interferences such as walls, doors and other obstructions.

## 3 USING THE BABY MONITOR

### Power on or off the baby unit

- Slide the **ON/OFF** switch to **ON** to turn on the baby unit. The **POWER LED** light turns on.
- Slide the **ON/OFF** switch to **OFF** to turn off the baby unit. The **POWER LED** light turns off.

### Power on or off the parent unit

- Slide the **ON/OFF** switch to **ON** to turn on the parent unit. The screen and the **POWER LED** light turns on.
- Slide the **ON/OFF** switch to **OFF** to turn off the parent unit. The screen and the **POWER LED** light turns off.

### Adjust parent unit speaker volume

- Press **VOL**/**VOL** on the parent unit to adjust the speaker volume.

### Adjust LCD brightness

You can change the brightness of the parent unit screen from **Level 1** to **Level 5**. The LCD brightness is preset to **Level 3**.

- Press **MENU SELECT** when the parent unit is idle.
- Press **←** or **→** to choose , then press **▲**.
- Press **▼** or **▲** to choose the desired level of brightness, then press **MENU SELECT** to confirm your selection.

### Monitoring mode \* for VM2251-2 only

Every time the parent unit is turned on, it displays a baby unit in **SINGLE-CAM** mode. If there are more than two baby units in your system, you can also monitor your baby in **PATROL** mode.

**SINGLE-CAM** The screen displays image of a single baby unit in full screen.

**PATROL** A single cam view that transitions to a different baby unit every 10 seconds.

### To switch from SINGLE-CAM to PATROL mode:

- Press **MENU SELECT** when the parent unit is idle.
- Press **←** or **→** to choose , then press **MENU SELECT** or **▲** to open the submenu.
- Press **▲** or **▼** to select **PATROL** mode to alternately view the image from one baby unit to the next one in every 10 seconds.

### To switch from PATROL to SINGLE-CAM mode:

- Press **MENU SELECT** when the parent unit is idle.
- Press **←** or **→** to choose , then press **MENU SELECT** or **▲** to open the submenu.
- Press **▲** or **▼** to select a camera number to enter **SINGLE-CAM** mode.

### NOTE

- If one or more paired baby units are powered off or disconnected during patrolling, the parent unit will keep searching until its power has run out or a baby unit is connected once again.

## 3 USING THE BABY MONITOR (CON'T)

### Screen off timer

You can set the screen off time for the parent unit when there is no key press for a specific time interval. When the screen is turned off, you can still hear sound from the baby unit.

- Press **MENU SELECT** when the parent unit is idle.
- Press **←** or **→** to choose , then press **MENU SELECT** or **▲** to open the submenu.
- Press **▼** or **▲** to choose the desired time period to automatically turn off screen (**OFF** / - 5 min. / - 30 min. / - 60 min.), then press **MENU SELECT** to confirm your selection.

### Adjust the sound sensitivity of the baby unit

You can choose to hear sounds from the baby unit all the time, or to hear sounds that exceed a certain level. You can use the parent unit to adjust the microphone sensitivity of your baby unit. The higher the sensitivity level, the more sensitive the baby unit is in detecting sounds for transmitting to the parent unit. The VOX sensitivity level is preset to the highest level (**Level 5**).

VOX SENSITIVITY LEVEL	Level 5	Level 4	Level 3	Level 2	Level 1
SENSITIVITY	Highest VOX sensitivity level	High VOX sensitivity level	Medium VOX sensitivity level	Low VOX sensitivity level	Lowest VOX sensitivity level
DESCRIPTION	The parent unit speaker is constantly on, and you will hear all sounds (including background noises) from your baby's room.	The parent unit speaker turns on for soft babbling and louder sounds from your baby. It remains quiet when your baby sleeps soundly.	The parent unit speaker turns on for loud babbling and louder sounds from your baby. It remains quiet when your baby makes soft sounds.	The parent unit speaker turns on for crying and louder sounds from your baby. It remains quiet when your baby makes soft sounds.	The parent unit speaker turns on for loud crying or screaming sounds from your baby. It remains quiet when your baby makes soft sounds.

- Press **MENU SELECT** when the parent unit is idle.
- Press **←** or **→** to choose **VOX**, then press **MENU SELECT** or **▲** to open the submenu.
- Press **▼** or **▲** to choose the desired sensitivity level, then press **MENU SELECT** to confirm your selection.

### NOTE

- If the screen is off, and the setting of sound-activated screen is **ON**, then LCD screen will be turned on automatically when VOX sensitivity is triggered.

### TIP

- If you want to use a sound machine or white noise machine for natural white noise while using this baby monitor to check on your baby, you can:
  - Lower the volume of your sound machine or white noise machine; or
  - Lower the sensitivity level of your baby monitor to medium (level 3) or below. Default level is the highest level.

### Turn on or off the sound activation

When sound activation is on, as long as no sound is detected within 50 seconds, the parent unit screen will turn off automatically to save power.

When your baby unit detects a sound, which exceeds the selected sensitivity level, the sound activation triggers the parent unit screen to turn on automatically. When no sound is detected within 50 seconds, the screen will be off again.

- Press **MENU SELECT** when the parent unit is idle.
- Press **←** or **→** to choose , then press **MENU SELECT** or **▲** to open the submenu.
- Press **▼** or **▲** to choose **ON** or **OFF**, then press **MENU SELECT** to confirm your selection.

### NOTE

- If the sound sensitivity is set to the highest level, the parent unit screen may remain on continuously even though sound activation is on. This depends on whether the baby unit detects any sounds.

### Zoom

You can zoom in while viewing images from the baby unit.

- Press to zoom in. Press again to zoom out.
- Press **▼**, **▲**, **←** or **→** to move the zoomed image downward, upward, leftward or rightward.

### Talk

You can use the **TALK** function of the parent unit to comfort your baby.

Press and hold **TALK** on the parent unit.

- Speak towards the microphone on the parent unit. Your voice is broadcast to the baby unit.
- Release the **TALK** key to stop the broadcast.

### Monitor the temperature

Your baby unit monitors the temperature of your baby's room with its built-in temperature sensor. If the detected temperature is out of the preset temperature range, the parent unit will display an alert message.

### Set temperature range

You can set the desired minimum and maximum room temperature alert ranges.

- Press **MENU SELECT** when the parent unit is idle.
- Press **←** or **→** to choose , then press **▲**.
- Press **▼** or **▲** to choose **MIN**, then press **MENU SELECT**.
- Press **▼** or **▲** to choose **MIN** or **MAX**, then press **MENU SELECT**.
- Press **▼** or **▲** to choose the desired minimum or maximum temperature, then press **MENU SELECT** to confirm your selection.

### Temperature alert tone

You can turn on the temperature alert tone so that the parent unit will emit an alert tone if the detected temperature is out of range.

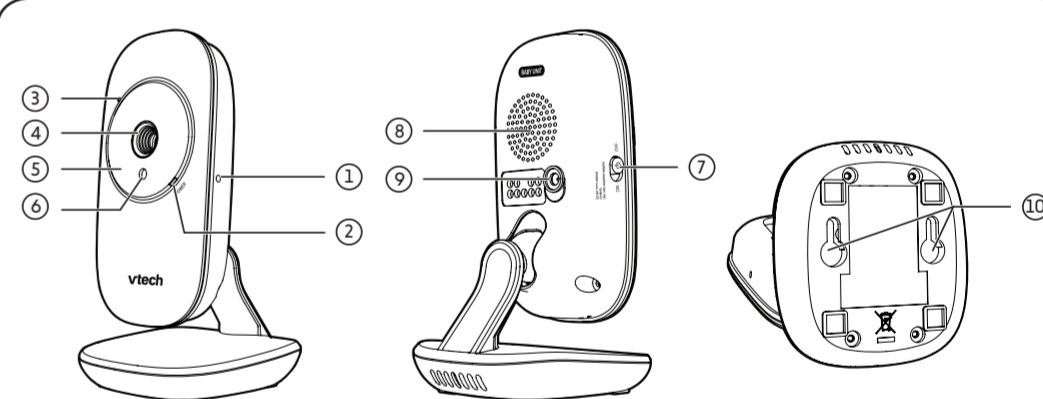
- Press **MENU SELECT** when the parent unit is idle.
- Press **←** or **→** to choose , then press **▲**.
- Press **▼** or **▲** to choose **ON**, then press **MENU SELECT**.
- Press **▼** or **▲** to choose **ON** or **OFF**, then press **MENU SELECT** to confirm your selection.

### Temperature format

You can choose to display the temperature in Fahrenheit (°F) or Celsius (°C).

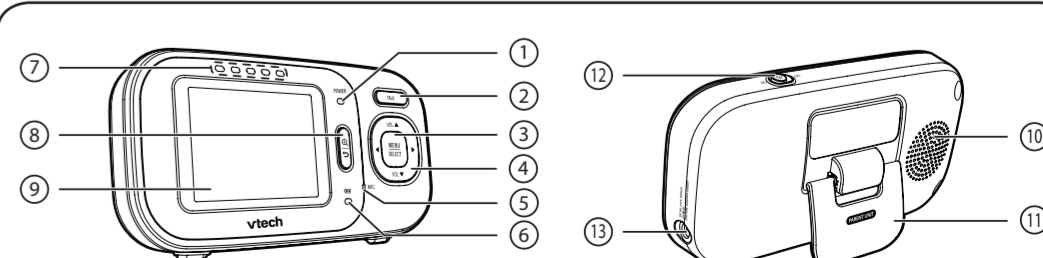
- Press **MENU SELECT** when the parent unit is idle.
- Press **←** or **→** to choose , then press **▲**.
- Press **▼** or **▲** to choose **°F**, then press **MENU SELECT**.
- Press **▼** or **▲** to choose **°F** or **°C**, then press **MENU SELECT** to confirm your selection.

## BABY UNIT OVERVIEW



- Pair hole**
  - Your baby units and parent unit provided are already paired.
- POWER LED light**
  - On when the baby unit is turned on and is paired to the parent unit.
  - Flashes when the baby unit is not being viewed; or when the link to the parent unit is lost.
- Microphone**
- Camera**
- Infrared LEDs**
- Light sensor**
- ON/OFF switch**
  - Slide to turn on or off the baby unit.
- Speaker**
- Power jack**
- Wall mount holes**

## PARENT UNIT OVERVIEW



- POWER LED light**
  - Green when the parent is powered on.
  - Flashes green when no link to camera.
- TALK**
  - Press and hold to talk to the selected baby unit.

Document order number: 91-010824-040-100  
© 2018 VTech Communications, Inc. All rights reserved. 06/18, VM2251-X, CB, V4  
Specifications are subject to change without notice.

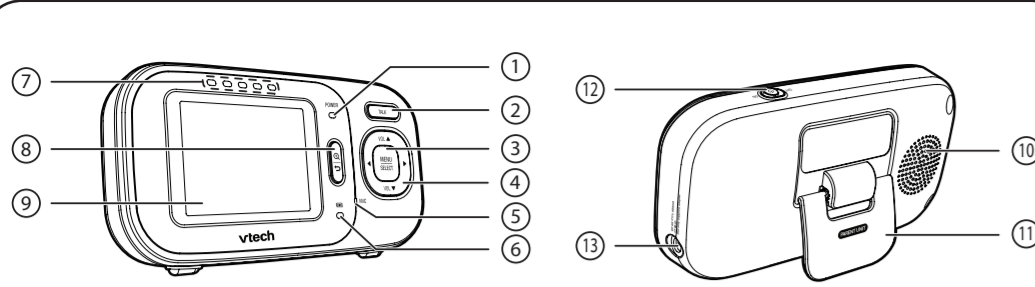


## TECHNICAL SPECIFICATIONS

Frequency control	Crystal controlled PLL synthesizer
Transmit frequency	Baby unit: 2407.5 - 2475 MHz Parent unit: 2407.5 - 2475 MHz
Channels	21
LCD	2.4" Color LCD (QVGA 320x240 pixels)
Nominal effective range	Maximum power allowed by FCC and IC. Actual operating range may vary according to environmental conditions at the time of use.
Power requirements	Parent unit: 3.6V Ni-MH battery Baby unit power adapter: Output: 6V DC @ 400mA Parent unit power adapter: Output: 6V DC @ 400mA



## ■ PARENT UNIT OVERVIEW (CON'T)



- 1 MENU/SELECT
- 2 Arrow keys and VOL▲ / VOL▼
- 3 Arrow keys and VOL▲ / VOL▼
- 4 Arrow keys and VOL▲ / VOL▼
- 5 Microphone
- 6 Battery indicator
- 7 Visual sound indicators
- 8 Zoom
- 9 LCD display
- 10 Speaker
- 11 Stand
- 12 ON/OFF switch
- 13 Power jack

3 **MENU/SELECT**

- Press to enter or exit the menu.
- While in a sub-menu, press to choose an item, or save a setting.

4 **Arrow keys and VOL▲ / VOL▼**

**VOL▲ / ▲**

- Press to increase the parent unit speaker volume.
- While in a menu, press to scroll up, or to enter an item's sub-menu.
- While zooming, **press and hold** to move the zoomed image upward.

**VOL▼ / ▼**

- Press to decrease the parent unit speaker volume.
- While in a submenu, press to scroll down.
- While zooming, **press and hold** to move the zoomed image downward.

▶ While in a menu, press to choose the next item on the left.

▶ While zooming, **press and hold** to move the zoomed image leftward.

▶ While in a menu, press to choose the next item on the right.

▶ While zooming, **press and hold** to move the zoomed image rightward.

5 **Microphone**

6 **Battery indicator**

- Red when battery is charging.
- Flashes red when battery is low.

7 **Visual sound indicators**

○ ○ ○ ○ ○

The visual sound indicators can show the sound level detected by the baby unit.

**Sound level detected by the baby unit**

- ○ ○ ○ ○ One to three green lights indicate a moderate sound level detected by the baby unit.
- ○ ○ ○ ○ Additional red lights indicate a higher sound level detected by the baby unit (e.g. baby crying loudly).

8 **Zoom**

- Press to zoom in or out.

9 **LCD display**

10 **Speaker**

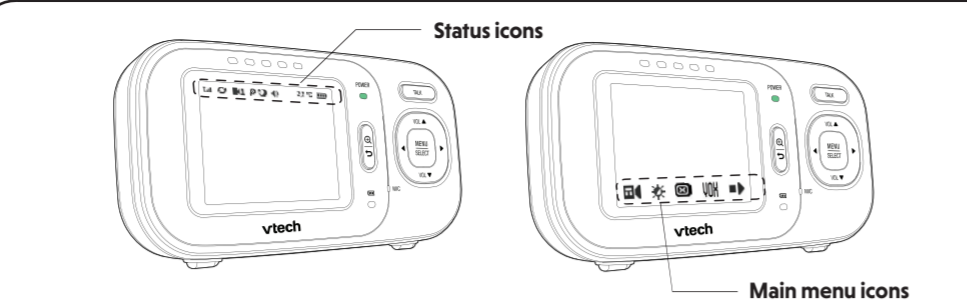
11 **Stand**

12 **ON/OFF switch**

- Slide to turn on or off the parent unit.

13 **Power jack**

## ☑ PARENT UNIT ICONS



**Status icons**

**Main menu icons**

**T.III Connection status**

- T.III** or **T.II** displays when strong signal strength is detected between the baby unit and the parent unit.
- T.I** or **T.** or **T** displays when moderate or low signal strength is detected between the baby unit and the parent unit.
- 📶** displays when the link between the baby unit and the parent unit is lost.

**Battery status**

- ➔ animates when the battery is charging.
- displays solid when the battery is fully charged.
- displays when the battery is low and needs charging.

**Speaker volume**

- Displays the parent unit speaker volume level while adjusting.

**Patrol mode**

- Displays when the parent unit is in **PATROL** mode.
- For VM320-2 only.

**Current view status**

- Displays the number of the baby unit that is being viewed.

**Zoom**

- Displays when the current image on the parent unit has zoomed in.

**Night vision**

- Displays when the baby unit being viewed has activated the night vision feature.

**Mute alert**

- Displays when the parent unit is talking to the baby unit.

**Real-time temperature**

- Displays the real-time temperature detected by the baby unit in Fahrenheit (°F) or Celsius (°C) (e.g. **57°F** or **14°C**).

**Monitoring mode**

- You can enter the monitoring mode to view the video from the baby unit.
- For VM320-2 only.

**Brightness**

- You can change the brightness of the parent unit screen.

**LCD screen off timer**

- You can set a specific time to turn the screen off.

**VOX sensitivity**

- With this feature, you can choose to hear sounds from the baby unit that exceed a certain level. You can use the parent unit to adjust the microphone sensitivity of your baby unit. The higher the sensitivity level, the more sensitive the baby unit is in detecting sounds for transmitting to the parent unit.

**Sound-activated screen**

- When the baby unit detects no sound, the parent unit screen stays off to save power. Once a sound is detected, the parent unit screen turns on automatically. It will then turn off again after 50 seconds of no sound detection.

**Temperature**

- You can turn on the temperature alert tone so that the parent unit beeps whenever the room temperature detected by the baby unit falls outside of the desired temperature range. You can choose in Fahrenheit (°F) or Celsius (°C) as the temperature format displayed, or set the maximum/minimum temperature limit for alerts.

**Warning icons and messages**

- The selected baby unit is out of range or is turned off.
- The battery is empty and needs to be recharged.
- or The temperature detected by the baby unit is higher/lower than the desired temperature alert range.
- The parent unit is searching for baby units.
- The parent unit is connected to AC power.

**DIM MODE**

The dim mode is to help you save the parent unit power. Your parent unit display will dim automatically after 10 minutes of inactivity, in which there is neither key pressed nor alert received from the baby unit.

**NOTES**

- While the screen is dimmed, any keypress or alert message will trigger the screen to return to the preset brightness level. After 10 minutes of inactivity, it will dim again.

**NIGHT VISION**

The baby unit has infrared LEDs that allow you to see your baby clearly at night or in a dark room. When the baby unit being viewed detects low light levels, the infrared LEDs are switched on automatically. The images from the baby unit are in black and white, and appears on the screen.

**NOTES**

- It is normal if you see a short white glare on your parent unit screen as the baby unit is adapting to the dark environment.
- When the infrared LEDs are on, the images are in black and white. This is normal.

**TIP**

- Depending on the surroundings and other interfering factors, like lightings, objects, colors and backgrounds, the display resolution may vary. Adjust the baby unit's angle or place the baby unit at a higher level to prevent glare and blurry display.

**MOUNT THE BABY UNIT (OPTIONAL)**

Your baby monitor comes ready for tabletop use. You can also choose to mount your baby monitor on the wall. See Mount the baby unit (optional) in the **Quick Start Guide** for the wall mounting instructions.

## 👉 GENERAL PRODUCT CARE

- To keep this product working well and looking good, follow these guidelines:
- Avoid putting it near heating appliances and devices that generate electrical noise (for example, motors or fluorescent lamps).
  - DO NOT expose it to direct sunlight or moisture.
  - Avoid dropping the product or treating it roughly.
  - Clean with a soft cloth.
  - DO NOT immerse the parent unit and the baby unit in water and do not clean them under the tap.
  - DO NOT use cleaning spray or liquid cleaners.
  - Make sure the baby unit and parent unit are dry before you connect them to the mains again.

## 📦 STORAGE

When you are not going to use the baby monitor for some time, store the parent unit, the baby unit and the adapters in a cool and dry place.

## 🗂️ FREQUENTLY ASKED QUESTIONS

Below are the questions most frequently asked about the baby monitor. If you cannot find the answer to your question, visit our website at [www.vtechphones.com](http://www.vtechphones.com), or contact **1 (800) 595-9511** for customer service.

Why does the baby monitor not respond normally?	Try the following (in the order listed) for common cure: <ol style="list-style-type: none"><li>1. Disconnect the power to the baby units and the parent unit.</li><li>2. Wait a few seconds before connecting power back to the baby units and the parent unit.</li><li>3. Turn on the baby units and the parent unit.</li><li>4. Wait for the parent unit to synchronize with the baby units. Allow up to one minute for this to take place.</li></ol>
Why don't the power-on light of the baby unit and parent unit go on when I switch on the units?	Perhaps the parent unit is not connected to the power. Insert the appliance plug into the parent unit and put the adapter in a wall socket. Then, slide the <b>ON/OFF</b> switch to <b>ON</b> to switch on the parent unit and to establish connection with the baby unit.
Why doesn't my parent unit charge when connected to AC power?	Perhaps the baby unit is not connected to the power. Insert the appliance plug into the baby unit and put the adapter in a wall socket. Then, slide the <b>ON/OFF</b> switch to <b>ON</b> to switch on the baby unit and to establish connection with the parent unit.
Why is my screen in black and white?	The screen is in black and white during night-time or in a dark room when the night vision feature is activated. This is normal.
Why do I get glare or blurry objects on my screen when viewing my baby at night?	During night-time or in a dark room, the surroundings and other interfering factors, like lightings, objects, colors and backgrounds may affect the image quality on your parent unit screen. Adjust the baby unit's angle or place the baby unit at a higher level to prevent glare and blurry display.
Why does the baby monitor produce a high-pitched noise?	The parent unit and baby units may be too close to each other. <ul style="list-style-type: none"><li>• Move the parent unit away from the baby units until the noise stops; OR</li><li>• Turn down the volume of your parent unit.</li></ul>
Why does the parent unit beep?	The baby units may be out of range. Move the parent unit closer to the baby units (but not less than 3 feet). The parent unit may not have enough charge for the parent unit to perform normally. Charge the battery in the parent unit for up to 11 hours. The temperature of your baby's room may be too high or too low.
Why don't I hear a sound/Why can't I hear my baby cry?	The parent unit speaker volume may be too low. Press <b>VOL▲</b> to increase the volume, or use the parent unit menu to change sound sensitivity level to the highest level ( <b>level 5</b> ).
Why can't I establish a connection? Why is the connection lost every now and then? Why are there sound interruptions?	The baby units may be out of range. Move the parent unit closer to the baby units (but not less than 3 feet). Other electronic products may cause interference with your baby monitor. Try installing your baby monitor as far away from these electronic devices as possible.
	If you power on only one baby unit, your parent unit may display  and the <b>POWER</b> LED light flashes. Press <b>VIEW</b> to switch to the baby unit you have powered on.

## IMPORTANT SAFETY INSTRUCTIONS

- When using your equipment, basic safety precautions should always be followed to reduce the risk of fire, electric shock and injury, including the following:
- Follow all warnings and instructions marked on the product.
  - Adult setup is required.
  - This product is intended as an aid. It is not a substitute for responsible and proper adult supervision and should not be used as such.
  - This product is not intended for use as a medical monitor.
  - Do not use this product near water. For example, do not use it next to a bath tub, wash bowl, kitchen sink, laundry tub or swimming pool, or in a wet basement or shower.
  - CAUTION:** Use only the batteries provided. There may be a risk of explosion if a wrong type of battery is used for the parent unit. Do not dispose of batteries in a fire. They may explode. Dispose of used battery according to the information in **The RBRC® seal**.
  - Use only the adapters included with this product. Incorrect adapter polarity or voltage can seriously damage the product. Baby unit power adapter: Output: 6V DC 400mA. Parent unit power adapter: Output: 6V DC 400mA.
  - The power adapters are intended to be correctly oriented in a vertical or floor mount position. The prongs are not designed to hold the plug in place if it is plugged into a ceiling, under-the-table or cabinet outlet.
  - For pluggable equipment, the socket-outlet shall be installed near the equipment and shall be easily accessible.
  - Unplug this product from the wall outlet before cleaning. Do not use liquid or aerosol cleaners. Use a damp cloth for cleaning.
  - Unplug the power cords before replacing batteries.
  - Do not cut off the power adapters to replace them with other plugs, as this causes a hazardous situation.
  - Do not allow anything to rest on the power cords. Do not install this product where the cords may be walked on or crimped.
  - This product should be operated only from the type of power source indicated on the marking label. If you are not sure of the type of power supply in your home, consult your dealer or local power company.
  - Do not overload wall outlets or use an extension cord.
  - Do not place this product on an unstable table, shelf, stand or other unstable surfaces.
  - This product should not be placed in any area where proper ventilation is not provided. Slots and openings in the back or bottom of this product are provided for ventilation. To protect them from overheating, these openings must not be blocked by placing the product on a soft surface such as a bed, sofa or rug. This product should never be placed near or over a radiator or heat register.
  - Never push objects of any kind into this product through the slots because they may touch dangerous voltage points or create a short circuit. Never spill liquid of any kind on the product.
  - To reduce the risk of electric shock, do not disassemble this product, but take it to an authorized service facility. Opening or removing parts of the product other than specified access doors may expose you to dangerous voltages or other risks. Incorrect reassembling can cause electric shock when the product is subsequently used.
  - You should test the sound reception every time you turn on the units or move one of the components.
  - Periodically examine all components for damage.
  - Be aware of possible loss of privacy while using public airwaves. Conversations may be picked up by other nursery monitors, cordless phones, scanners, etc.
  - Children should be supervised to ensure that they do not play with the product.
  - The product is not intended for use by persons (including children) with reduced physical, sensory or mental capabilities, or lack of experience and knowledge, unless they have been given supervision or instruction concerning use of the appliance by a person responsible for their safety.

### SAVE THESE INSTRUCTIONS

- Cautions**
- Use and store the product at a temperature between 32°F and 104°F.
  - Do not expose the product to extreme cold, heat or direct sunlight. Do not put the product close to a heating source.
  - Batteries should not be exposed to excessive heat such as bright sunshine or fire.
  - Warning**—Strangulation Hazard—Children have STRANGLED in cords. Keep this cord out of the reach of children (more than 3 ft (0.9m) away). Do not remove this tag.
  - Never place the baby unit(s) inside the baby's crib or playpen. Never cover the baby unit(s) or parent unit with anything such as a towel or a blanket.
  - Other electronic products may cause interference with your baby monitor. Try installing your baby monitor as far away from these electronic devices as possible: wireless routers, radios, cellular telephones, intercoms, room monitors, televisions, personal computers, kitchen appliances and cordless telephones.

### Precautions for users of implanted cardiac pacemakers

- Cardiac pacemakers (applies only to digital cordless devices):  
Wireless Technology Research, LLC (WTR), an independent research entity, led a multidisciplinary evaluation of the interference between portable wireless devices and implanted cardiac pacemakers. Supported by the U.S. Food and Drug Administration, WTR recommends to physicians that:
- Pacemaker patients**
- Should keep wireless devices at least six inches from the pacemaker.
  - Should NOT place wireless devices directly over the pacemaker, such as in a breast pocket, when it is turned ON.
- WTR's evaluation did not identify any risk to bystanders with pacemakers from other persons using wireless devices.

### Electromagnetic fields (EMF)

This VTech product complies with all standards regarding electromagnetic fields (EMF). If handled properly and according to the instructions in this user's manual, the product is safe to be used based on scientific evidence available today.

## THE RBRC® SEAL



The RBRC® seal on the Ni-MH battery indicates that VTech Communications, Inc. is voluntarily participating in an industry program to collect and recycle these batteries at the end of their useful lives, when taken out of service within the United States and Canada.

The RBRC® program provides a convenient alternative to placing used Ni-MH batteries into the trash or municipal waste, which may be illegal in your area.

VTech's participation in RBRC® makes it easy for you to drop off the spent battery at local retailers participating in the RBRC® program or at authorized VTech product service centers. Please call **1 (800) 8 BATTERY®** for information on Ni-MH battery recycling and disposal bans/restrictions in your area. VTech's involvement in this program is part of its commitment to protecting our environment and conserving natural resources.

RBRC® and 1 (800) 8 BATTERY® are registered trademarks of the Rechargeable Battery Recycling Corporation.

## FCC AND IC REGULATIONS

**FCC Part 15**

This equipment has been tested and found to comply with the requirements for a Class B digital device under Part 15 of the Federal Communications Commission (FCC) rules. These requirements are intended to provide reasonable protection against harmful interference in a residential installation. This equipment generates, uses and can radiate radio frequency energy and, if not installed and used in accordance with the instructions, may cause harmful interference to radio communications. However, there is no guarantee that interference will not occur in a particular installation. If this equipment does cause harmful interference to radio or television reception, which can be determined by turning the equipment off and on, the user is encouraged to try to correct the interference by one or more of the following measures:

- Reorient or relocate the receiving antenna.
- Increase the separation between the equipment and receiver.
- Connect the equipment into an outlet on a circuit different from that to which the receiver is connected.
- Consult the dealer or an experienced radio/TV technician for help.

**WARNING:** Changes or modifications to this equipment not expressly approved by the party responsible for compliance could void the user's authority to operate the equipment.

This device complies with Part 15 of the FCC rules. Operation is subject to the following two conditions: (1) this device may not cause harmful interference, and (2) this device must accept any interference received, including interference that may cause undesired operation.

To ensure safety of users, the FCC has established criteria for the amount of radio frequency energy that can be safely absorbed by a user or bystander according to the intended usage of the product. This product has been tested and found to comply with the FCC criteria. Caution: This Transmitter must be installed to provide a separation distance of at least 20cm from all persons. The transmitter and antenna of the parent unit shall be held at least 1 in (2.5 cm) from your face.

This Class B digital apparatus complies with Canadian requirement: CAN ICES-3 (B)/NMB-3(B)

### Industry Canada

This device complies with Industry Canada licence-exempt RSS standard(s).  
Operation is subject to the following two conditions: (1) this device may not cause harmful interference, and (2) this device must accept any interference, including interference that may cause undesired operation.  
The term "IC:" before the certification/registration number only signifies that the Industry Canada technical specifications were met.  
This product meets the applicable Innovation, Science and Economic Development Canada technical specifications.

### FCC RF radiation exposure statement

Caution: This Transmitter must be installed to provide a separation distance of at least 20cm from all persons. Use of other accessories may not ensure compliance with FCC RF exposure guidelines. This transmitter must not be co-located or operating in conjunction with any other antenna or transmitter. This equipment complies also with Industry Canada RSS-102 with respect to Canada's Health Code 6 for Exposure of Humans to RF Fields.

## CALIFORNIA ENERGY COMMISSION BATTERY CHARGING TESTING MODE

This baby monitor meets the California Energy Commission (CEC) regulations for energy consumption. Your baby monitor is set up to comply with the energy-conserving standards right out of the box. Follow the instructions to install and charge the battery. The CEC battery charging testing mode is activated while charging. Even if the parent unit is paired to baby units, the CEC battery charging testing mode is activated while it is powered off and charging.

## FOR C-UL COMPLIANCE ONLY

- Mesures de sécurité importantes**
- Lorsque vous utilisez votre appareil, vous devriez toujours suivre certaines mesures de précaution de base afin de réduire les risques d'incendie, d'électrocution et d'injure.
  - Observez toutes les instructions et mises en garde inscrites sur l'appareil.
  - L'installation par un adulte est requise.
  - Ce produit a été conçu pour être un dispositif d'appoint seulement. Il n'est pas le remplacement d'une supervision responsable et adéquate par un adulte et ne devrait pas être utilisé comme telle.
  - Ce produit n'est pas conçu pour être utilisé en tant que moniteur médical.
  - N'utilisez pas cet appareil près de l'eau ni de toute autre source d'humidité, par exemple, près d'une baignoire, cuve à lessive, évier de cuisine, dans un sous-sol humide ni près d'une piscine, dans un sous-sol humide ou une douche.
  - MISE EN GARDE:** Utilisez uniquement les piles fournies. Il existe un risque d'explosion si un autre type de batterie est utilisé pour l'unité Parents. N'incinérerez pas les piles. Celles-ci risquent d'exploser. Jetez les piles usées selon les renseignements fournis sur le **seau du RBRC®**.
  - N'utilisez que les adaptateurs inclus avec ce produit. L'utilisation d'un adaptateur dont la polarité ou la tension serait inadéquate risque d'endommager sérieusement le produit et mettre votre sécurité en péril. Adaptateur de l'unité du bébé : Sortie : 6V DC 400mA. Adaptateur de l'unité du parent : Sortie : 6V CC 400mA.
  - Lorsqu'ils sont branchés dans une prise de courant, les adaptateurs secteur ont été conçus pour être orientés correctement, soit à la verticale ou au plancher. Les broches n'ont pas été conçues pour supporter le poids du bloc d'alimentation et le maintenir en place si celui-ci est branché dans une prise au plafond, sous une table ou dans un meuble.
  - Pour les PRODUITS À BRANCHER À UNE PRISE DE COURANT, la prise de courant doit être installée près du produit, afin d'assurer une accessibilité sécuritaire à la prise de courant.
  - Débranchez ce produit de la prise de courant avant de procéder au nettoyage. N'utilisez pas de nettoyants en aérosols. Utilisez un chiffon humide pour le nettoyer.
  - Débranchez les cordons d'alimentation avant de remplacer le bloc-piles.
  - N coupez pas les cordons d'alimentation pour remplacer les fiches, car ceci peut présenter un danger potentiel.
  - Ne laissez aucun objet reposer ni appuyer sur le cordon d'alimentation. N'installez pas cet appareil dans un endroit où l'on risque d'écraser le cordon d'alimentation ou de le piétiner.
  - Ne faites fonctionner cet appareil qu'avec le type d'alimentation indiqué sur l'étiquette. Si vous ne connaissez pas le type d'alimentation que vous possédez à votre domicile, consultez votre compagnie marchand ou votre compagnie locale d'électricité.
  - Ne surchargez pas les prises de courant murales ni les rallonges électriques.
  - Ne placez pas cet appareil sur un chariot, meuble, trépidé, support de montage ni table chancelants.
  - Les trous et ouvertures du boîtier, situés à l'arrière de l'appareil ou sous celui-ci, servent à aérer l'appareil. Pour l'empêcher de surchauffer, ne bloquez vous aucun prétexte ces ouvertures et n'empêchez pas l'aération adéquate de l'appareil en le plaçant sur un fil, clavier, tapis ou toute autre surface similaire. De même, ne le positionnez pas à proximité ni au-dessus d'une source de chaleur ou d'un calorifère. De plus, ne placez pas l'appareil dans un endroit avant de vous assurer qu'il y ait une bonne circulation d'air.
  - N'enfoncez jamais d'objets à travers les ouvertures de cet appareil, car ils pourraient entrer en contact avec des points de tension dangereux ou tasser des câbles et causer des dommages à l'appareil. Ne renversez jamais de liquide dans ce produit.
  - Afin de réduire les risques d'électrocution, ne démontez pas cet appareil, mais apportez-le dans un centre de service autorisé. L'ouverture du boîtier ou le retrait de toutes pièces que contient cet appareil, à l'exception de l'accès autorisé à certaines portes ou ouvertures, risque de vous exposer à des points de tension dangereux ou d'autres dangers. Un remontage incorrect peut par la suite présenter des risques d'électrocution.
  - Vous devez tester la réception chaque fois que vous mettez l'appareil en fonction.
  - Examinez les composantes afin de vérifier si celles-ci ne sont pas endommagées.
  - Soyez avisé de la perte de la confidentialité lorsque vous utilisez les ondes publiques. Les conversations peuvent être entendues par d'autres moniteurs de bébé, des téléphones sans fil, des scanners, etc.
  - Les ententes de votre vidéo ou audio à l'égard des appareils électroniques tels que des routeurs sans fil, radios, téléphones cellulaires, interphones, moniteurs, téléphones, ordinateurs personnels, électroménagers et téléphones sans fil.
  - Le produit n'est pas conçu pour être utilisé par des personnes (incluant des enfants) aux capacités physiques, sensorielles ou mentales réduites ou qui manquent d'expérience et de connaissances, à moins qu'on leur ait donné suffisamment de supervision ou d'instructions relativement à l'utilisation de l'appareil par une personne responsable de leur sécurité.

### CONSERVEZ CES INSTRUCTIONS

- Mises en garde**
- Utilisez et entreposez le produit à une température entre 0 °C (32 °F) et 40 °C (104 °F).
  - N'exposez pas cet appareil à des froids ou des chaleurs extrêmes, ainsi qu'à la lumière directe du soleil. Ne l'installez pas près d'une source de chauffage.
  - Le bloc-piles ne doit pas être exposé à la chaleur excessive telle que la lumière du soleil ou au feu.
  - Assurez-vous que le moniteur et le cordon de l'adaptateur sont toujours hors de portée des enfants, au moins 1 mètre (3 pieds) de l'enfant ou du bébé pour éviter tout risque de strangulation.
  - Né jamais placer le moniteur à l'intérieur du berceau ou du parc de bébé. Ne jamais couvrir le moniteur ou l'unité (s) portative avec un article tel une serviette ou une couverture.
  - D'autres équipements électroniques peuvent produire des interférences sur votre moniteur vidéo et audio. Tendez à installer votre moniteur vidéo ou audio à l'écart des appareils électroniques tels que des routeurs sans fil, radios, téléphones cellulaires, interphones, moniteurs, téléphones, ordinateurs personnels, électroménagers et téléphones sans fil.

### Stimulateurs cardiaques implantés dans l'organisme

Les simulateurs cardiaques (ne s'applique qu'aux dispositifs numériques sans fil) :  
L'organisme "Wireless Technology Research, LLC (WTR)", une firme de recherche indépendante, a mené une évaluation pluridisciplinaire des interférences entre les téléphones sans fil portatifs et les stimulateurs cardiaques implantés dans l'organisme. Appuyée par l'Administration des aliments et drogues (FDA) des États-Unis, la firme WTR recommande aux médecins:

### AVIS aux détenteurs de stimulateurs cardiaques

- Vous devriez maintenir les dispositifs sans fil à au moins six pouces du simulateur cardiaque.
- Is ne doivent PAS placer le téléphone sans fil directement sur le stimulateur cardiaque, tel que dans une poche de chemise, lorsque celui-ci est en marche.

L'étude effectuée par l'organisme WRS n'a pas identifié de risque pour les détenteurs de simulateurs cardiaques causés par les gens qui utilisent des dispositifs sans fil à proximité de ceux-ci.

### Champs électromagnétiques (EMF)

Ce produit de VTech est conforme à toutes les normes se rapportant aux champs électromagnétiques (EMF) standard. Si vous le manipulez correctement en suivant les instructions de sécurité pendant de nombreuses années, selon les meilleures évidences scientifiques dont nous disposons aujourd'hui.

