

Go to www.vtechphones.com to register your product for enhanced warranty support and latest VTech product news.



Pan and Tilt Camera

vtech®

Quick start guide

For more support information:



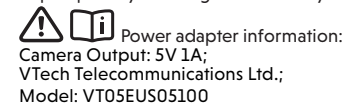
RM9761

RM9761

IMPORTANT SAFETY INSTRUCTIONS

The applied nameplate is located at the bottom of the camera's base. When using your equipment, basic safety precautions should always be followed to reduce the risk of fire, electric shock and injury, including the following:

- Follow all warnings and instructions marked on the product.
- Adult setup is required.
- CAUTION:** Do not install the camera at a height above 2 meters.
- This product is intended as an aid. It is not a substitute for responsible and proper adult supervision and should not be used as such.
- This product is not intended for use as a medical monitor.
- Do not use this product near water, for example, near to a bath, sink, swimming pool or shower.
- Use only the adapter included with this product. Incorrect adapter polarity or voltage can seriously damage the product.



Power adapter information:
Camera Output: 5V 1A;
VTech Telecommunications Ltd.;
Model: VT05EU505100

-OR-
Jiangxi Jian Aohai Technology Co., Ltd.
Model: A318-050100W-US2

- The power adapter is intended to be correctly oriented in a vertical or floor mount position. The prongs are not designed to hold the plug in place if it is plugged into a ceiling, under-the-table or cabinet outlet.
- For pluggable equipment, the socket-outlet (power adapter) should be installed near the equipment and should be easily accessible.
- Unplug this product from the wall outlet before cleaning. Do not use liquid or aerosol cleaners. Use a damp cloth for cleaning.
- Do not modify the power adapter or replace with other power adapter, as this causes a hazardous situation.
- Do not allow anything to rest on the power cord. Do not install this product where the cord may be walked on or crimped.
- This product should be operated only from the type of power source indicated on the marking label. If you are not sure of the type of power supply in your home, consult your retailer or electricity supply provider.
- Do not overload wall outlets or use an extension cord.
- Do not place this product on an unstable table, shelf, stand or other unstable surfaces.
- This product should not be placed in any area where proper ventilation is not provided. Slots and openings in the back or bottom of this product are provided for ventilation. To protect them from overheating, these openings must not be blocked by placing the product on a soft surface such as a bed, sofa or rug. This product should never be placed near or over a radiator or heat source.
- Never push objects of any kind into this product through the slots because they may touch dangerous voltage points or create a short circuit. Never spill liquid of any kind on the product.
- To reduce the risk of electric shock, do not disassemble this product, but take it to an authorized service facility. Opening or removing parts of the product other than specified access doors may expose you to dangerous voltages or other risks. Incorrect reassembling can cause electric shock when the product is subsequently used.
- You should test the sound reception every time you turn on the units or move one of the components.
- Periodically examine all components for damage.

- There is a very low risk of privacy loss when using certain electronic devices, such as baby monitors, cordless telephones, etc. To protect your privacy, make sure the product has never been used before purchase, reset the baby monitor periodically by powering off and then powering on the units, and power off the baby monitor if you are not intending to use it for some time.

- Children should be supervised to ensure that they do not play with the product.
- The small parts of this monitor can be swallowed by babies or small children. Keep these parts out of reach of children.
- The product is not intended for use by persons (including children) with reduced physical, sensory or mental capabilities, or lack of experience and knowledge, unless they have been given supervision or instruction concerning use of the appliance by a person responsible for their safety.

SAVE THESE INSTRUCTIONS

Cautions

- Use and store the product at a temperature between 32°F (0°C) and 104°F (40°C).
- Do not expose the product to extreme cold, heat or direct sunlight. Do not put the product close to a heating source.
- Warning—Strangulation Hazard—Children have STRANGLED in cords. Keep this cord out of the reach of children (more than 3 ft (0.9m) away). Do not remove warning label on the adapter cord.**
- Never place the camera(s) inside the baby's crib or playpen. Never cover the camera(s) with anything such as a towel or a blanket.
- Other electronic products may cause interference with your camera. Try installing your camera as far away from these electronic devices as possible: wireless routers, radios, mobile phones, intercoms, room monitors, televisions, personal computers, kitchen appliances and cordless telephones.

Precautions for users of implanted cardiac pacemakers

Cardiac pacemakers (applies only to digital cordless devices): Wireless Technology Research, LLC (WTR), an independent research entity, led a multidisciplinary evaluation of the interference between portable wireless devices and implanted cardiac pacemakers. Supported by the U.S. Food and Drug Administration, WTR recommends to physicians that:

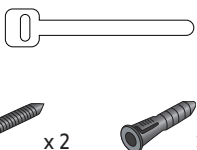
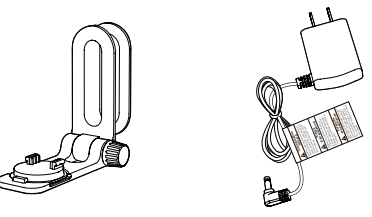
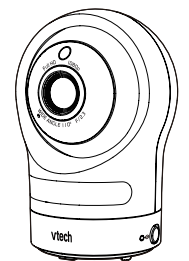
- Should keep wireless devices at least six inches from the pacemaker.
 - Should NOT place wireless devices directly over the pacemaker, such as in a breast pocket, when it is turned ON.
- WTR's evaluation did not identify any risk to bystanders with pacemakers from other persons using wireless devices.

Electromagnetic fields (EMF)

This VTech product complies with all standards regarding electromagnetic fields (EMF). If handled properly and according to the instructions in this user's manual, the product is safe to be used based on scientific evidence available today.

WHAT'S IN THE BOX

Your baby monitor package contains the following items. Save your sales receipt and original packaging in the event warranty service is necessary.



x 2

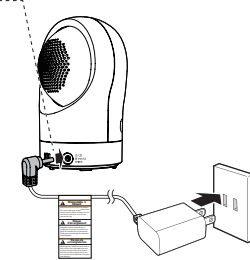
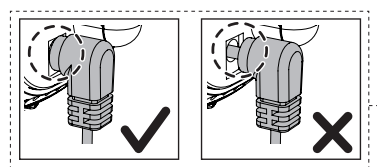
x 2

CONNECT THE CAMERA

NOTES

- Use only the power adapter supplied with this product.
- Make sure the camera is not connected to an electronically controlled electric power outlet.
- Connect the power adapter in a vertical or floor mount position only. The adapter' prongs are not designed to hold the weight of the camera, so do not connect it to any ceiling, under-the-table, or cabinet outlets. Otherwise, the adapter may not properly connect to the outlet.
- Make sure the camera and the power adapter cord are out of reach of children.

Connect the power adapter to the camera and a power supply, then the camera powers on automatically.



DOWNLOAD APP FOR MOBILE ACCESS

Start monitoring from anywhere.

Download the free **MyVTech Baby Plus** mobile app and install it to a mobile device, then use your mobile device and the mobile app to monitor your areas remotely.



App Compatibility

- Android™ 6.0 or later
- iOS 12 or later.

After installing the MyVTech Baby Plus App...

- Sign up for an account
- Pair the camera with your mobile device
- Monitor your baby using a wide range of features

PAIR THE CAMERA WITH YOUR MOBILE DEVICE

On Baby Plus App

Before you start...

- Connect your mobile device to a 2.4GHz home Wi-Fi network for a better connection and smoother video streaming.
- Enable the Location Service of your mobile device for the purpose of camera setup.

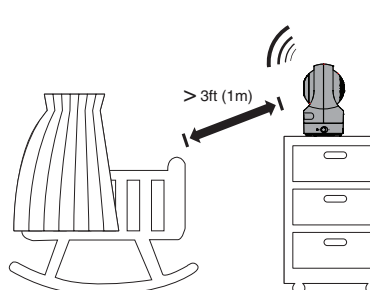
With a 2.4GHz home Wi-Fi network and enabled Location Service...

You can start to pair the camera with your own mobile device following the instructions in the app. Upon the successful pairing, you can hear and watch your baby via your mobile device.

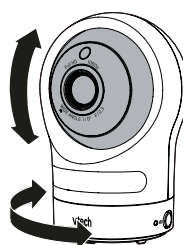
Tips:

- Move the camera and the Wi-Fi router closer to each other in order to strengthen the network signal.
- It takes up around 1 minute to search the camera.

POSITION THE CAMERA

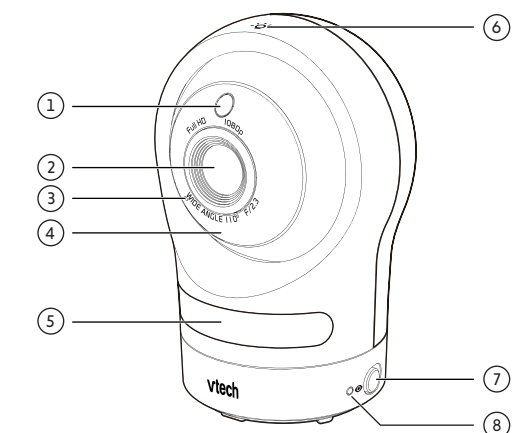


> 3ft (1m)

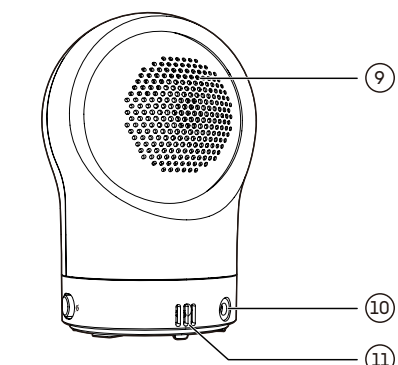


Use the app to pan and Tilt your camera.

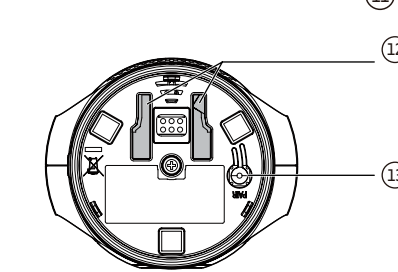
OVERVIEW



- Light sensor**
- Camera lens**
- Microphone**
- Infrared LEDs**
 - Allow you to see clearly in a dark environment.
- Night light**
- Night Light Control Key**
- Privacy Mode on/off switch**
- Power LED indicator / Privacy LED indicator**
 - The LED initially turns on when power is first applied, then turns off after a short time. Once turned off, the LED indicates the privacy mode status.



- Speaker**
- Power jack**
- Temperature sensor**
- Slots for wall mounting**
- PAIR/RESET key**
 - Press and hold to pair the camera with your mobile devices.



PRIVACY MODE

Designed for extra peace of mind, turn on Privacy Mode for a moment of peace and quiet.

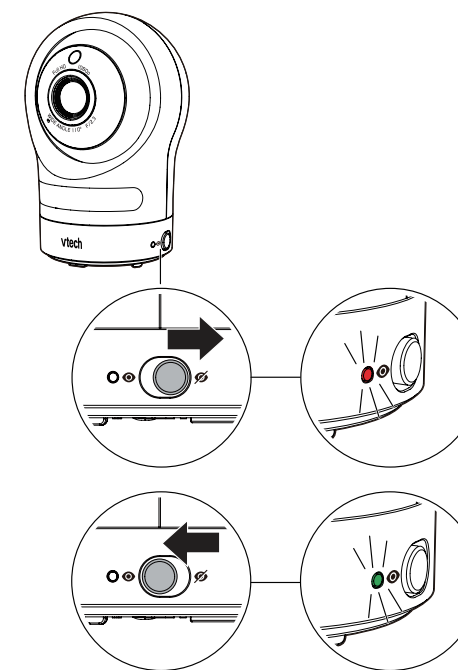
When the Privacy Mode is turned on, audio transmission and video monitoring will be disabled. So motion recording, motion detection, and sound detection will be temporarily unavailable.

You can play melodies/lullaby, and turn on night light on the app.

- Slide the Privacy on/off switch to to enter the privacy mode.
- Slide the Privacy on/off switch to to resume video monitoring.

Tips:

- The Privacy LED indicator lights steady in red when privacy mode is on, and changes to green when privacy mode is off.
- Turn on/off the Privacy LED indicator on the app.



NIGHT LIGHT

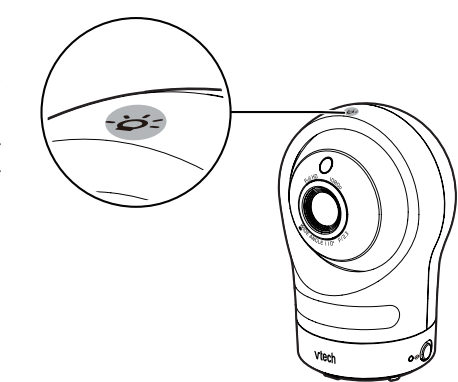
You can control the night light remotely from the **MyVTech Baby Plus** app, or directly on the camera.

Adjust the night light on the Camera

- Tap the Night light control key located on the top of the camera to turn on/off the night light.
- Tap and hold (with the light turned on) the Night light control key to adjust the night light brightness.

Note:

- If Auto Brightness has been pre-selected, any adjustment in night light brightness will automatically turn off Auto Brightness mode and switch to the fixed level of brightness.



Product Recycling
Recycle this product when you are done with it. For more information, scan the QR code or visit vtechphones.com/recycle.



CONFORMS TO
UL 5110
62384-1
CERTIFIED TO
CSA 5110
C22.2 NO.62384-1



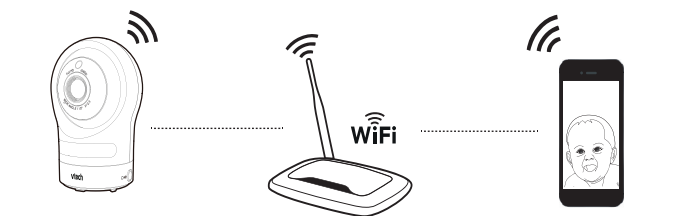
Specifications are subject to change without notice.
© 2023 VTech Communications, Inc. All rights reserved. 11/23.
RM9761_QSG_US_V1.



How the system works ?

Your home Wi-Fi network provides Internet connection to your camera so that you can monitor and control your camera whenever you are through the **MyVTEch Baby Plus App**.

Your Wi-Fi router (not included) provides the Internet connectivity, which serves as a communicating channel.

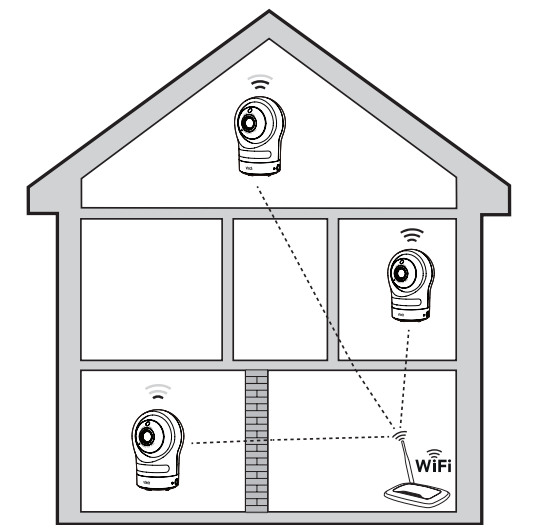


Mobile access or Wi-Fi connection

TEST THE LOCATION FOR THE CAMERA

If you plan to install your camera to a designated location, and will use your home Wi-Fi network to connect your mobile device, test whether your selected monitoring areas have good Wi-Fi signal strength. Adjust the direction and distance between your camera, mobile device and Wi-Fi router until you have identified a suitable location with good connection.

- Note:**
- Depending on surroundings and obstructing factors, such as the effect distance and internal walls have on signal strength, you may experience reduced Wi-Fi signal.



PROTECT YOUR PRIVACY AND ONLINE SECURITY

VTEch cares about your privacy and peace of mind. That's why we've put together a list of industry-recommended best practices to help keep your wireless connection private and your devices protected when online.

Ensure your wireless connection is secure

- Before installing a device, ensure your router's wireless signal is encrypted by selecting the "WPA2-PSK with AES" setting in your router's wireless security menu.

Change default settings

- Change your wireless router's default wireless network name (SSID) to something unique.
- Change default passwords to unique, strong passwords. A strong password:
 - Is at least 10 characters long.
 - Does not contain dictionary words or personal information.
 - Contains a mix of uppercase letters, lowercase letters, special characters and numbers.

Keep your devices up to date

- Download security patches from manufacturers as soon as they become available. This will ensure you always have the latest security updates.
- If the feature is available, enable automatic updates for future releases.

Disable Universal Plug and Play (UPnP) on your router

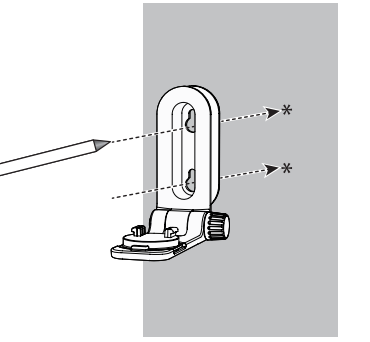
- UPnP enabled on a router can limit the effectiveness of your firewall by allowing other network devices to open inbound ports without any intervention or approval from you. A virus or other malware program could use this function to compromise security for the entire network.

For more information on wireless connections and protecting your data, please review the following resources from industry experts:

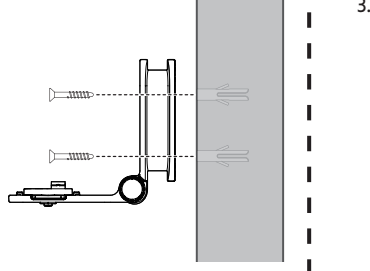
- Federal Communications Commission: Wireless Connections and Bluetooth Security Tips – www.fcc.gov/consumers/guides/how-protect-yourself-online.
- U.S. Department of Homeland Security: Before You Connect a New Computer to the Internet – www.us-cert.gov/ncas/tips/ST15-003.3.
- Federal Trade Commission: Using IP Cameras Safely – <https://www.consumer.ftc.gov/articles/0382-using-ip-cameras-safely>.
- Wi-Fi Alliance: Discover Wi-Fi Security – <http://www.wi-fi.org/discover-wi-fi/security>.

MOUNT THE CAMERA (OPTIONAL)

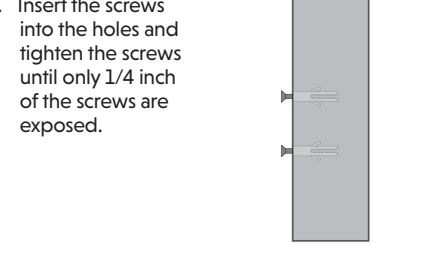
- Place the wall mount bracket on a wall and then use a pencil to mark two holes in parallel. Remove the wall mount bracket and drill two holes in the wall (7/32 inch drill bit).
- If you drill the holes into a stud, go to step 3.
 - If you drill the holes into an object other than a stud, insert the anchors into the holes. Tap gently on the ends with a hammer until the anchors are flush with the wall.



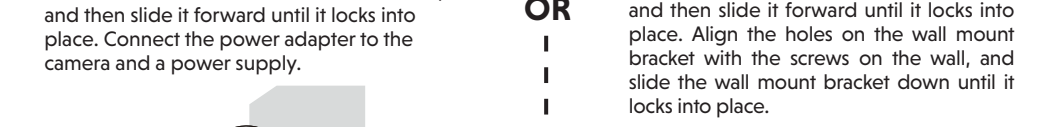
- Align the wall mount bracket and screws with the holes in the wall as shown. Tighten the screw in the middle hole first, so that the wall mount bracket position is fixed. You can tighten the other screw in the top hole.



- Insert the screws into the holes and tighten the screws until only 1/4 inch of the screws are exposed.

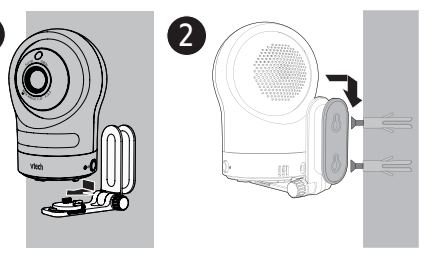


- Place the camera on the wall mount bracket, and then slide it forward until it locks into place. Connect the power adapter to the camera and a power supply.

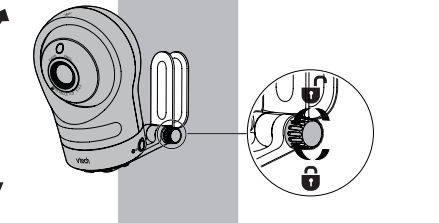


OR

- Place the camera on the wall mount bracket, and then slide it forward until it locks into place. Align the holes on the wall mount bracket with the screws on the wall, and slide the wall mount bracket down until it locks into place.



- You can maximize your camera's viewing angles by tilting the wall mount bracket. Hold the camera, and then rotate the knob in an anticlockwise direction. This will loosen the joint of the wall mount bracket. Tilt your camera up or down to adjust to your preferred angle. Then, rotate the knob in a clockwise direction to tighten the joint and secure the angle.



FCC AND IC REGULATIONS

FCC Part 15
This equipment has been tested and found to comply with the requirements for a Class B digital device under Part 15 of the Federal Communications Commission (FCC) rules. These requirements are intended to provide reasonable protection against harmful interference in a residential installation. This equipment generates, uses and can radiate radio frequency energy and, if not installed and used in accordance with the instructions, may cause harmful interference to radio communications. However, there is no guarantee that interference will not occur in a particular installation. If this equipment does cause harmful interference to radio or television reception, which can be determined by turning the equipment off and on, the user is encouraged to try to correct the interference by one or more of the following measures:

- Reorient or relocate the receiving antenna.
- Increase the separation between the equipment and receiver.
- Connect the equipment into an outlet on a circuit different from that to which the receiver is connected.
- Consult the dealer or an experienced radio/TV technician for help.

WARNING: Changes or modifications to this equipment not expressly approved by the party responsible for compliance could void the user's authority to operate the equipment.

This device complies with Part 15 of the FCC rules. Operation is subject to the following two conditions: (1) this device may not cause harmful interference, and (2) this device must accept any interference received, including interference that may cause undesired operation.

To ensure safety of users, the FCC has established criteria for the amount of radio frequency energy that can be safely absorbed by a user or bystander according to the intended usage of the product. This product has been tested and found to comply with the FCC criteria. The camera shall be installed and used such that parts of all persons' body are maintained at a distance of approximately 8 in (20 cm) or more. The transmitter and antenna of the parent unit shall be held at least 1 in (2.5 cm) from your face.

This Class B digital apparatus complies with Canadian requirement: CAN ICES-3 (B)/NMB-3(B)

Industry Canada
This device contains licence-exempt transmitter(s)/receiver(s) that comply with Innovation, Science and Economic Development Canada's licence-exempt RSS(s). Operation is subject to the following two conditions: (1) This device may not cause interference. (2) This device must accept any interference, including interference that may cause undesired operation of the device. The term "IC:" before the certification/registration number only signifies that the Industry Canada technical specifications were met. This product meets the applicable Innovation, Science and Economic Development Canada technical specifications.

RF radiation exposure statement
The product complies with FCC RF radiation exposure limits set forth for an uncontrolled environment. The camera should be installed and operated with a minimum distance of 8 in (20 cm) between the camera and all persons' body. Use of other accessories may not ensure compliance with FCC RF exposure guidelines. This equipment complies also with Industry Canada RSS-102 with respect to Canada's Health Code 6 for Exposure of Humans to RF Fields.

DISCLAIMER AND LIMITATION OF LIABILITY

VTEch Communications, Inc. and its suppliers assume no responsibility for any damage or loss resulting from the use of this user's manual. VTEch Communications, Inc. and its suppliers assume no responsibility for any loss or claims by third parties that may arise through the use of this product.
Company: VTEch Communications, Inc.
Address: 9020 SW Washington Square Road - Ste 555 Tigard, OR 97223, United States
Phone: 1 (800) 595-9511 in the U.S. or 1 (800) 267-7377 in Canada

NEED HELP?

For operations and guides to help you use your video monitor, and for the latest information and support, check out our online help topics and online FAQs.

Use your smartphone or mobile device to access our online help.

- Go to <https://help.vtechphones.com/rm9761>; OR
- Scan the QR code on the right. Launch the camera app or QR code scanner app on your smartphone or tablet. Hold the device's camera up to the QR code and frame it. Tap the notification to be redirected to the online help page.
 - If the QR code is not clearly displayed, adjust your camera's focus by moving your device closer or further away until it is clear.

You can also call our Customer Support at 1 (800) 595-9511 [in US] or 1 (800) 267-7377 [in Canada] for help.



FOR CETL COMPLIANCE ONLY

Mesures de sécurité importantes
La plaque signalétique appliquée est située au bas du socle de l'unité du bébé.

Lorsque vous utilisez votre appareil, vous devriez toujours suivre certaines mesures de précaution de base afin de réduire les risques d'incendie, d'électrocution et de blessures corporelles, dont ceux qui suivent :

- Observez toutes les instructions et mises en garde inscrites sur l'appareil.
- L'installation par un adulte est requise.
- MISE EN GARDE:** N'installez pas l'unité du bébé à une hauteur supérieure à 2 mètres.
- Ce produit a été conçu pour être un dispositif d'appoint seulement. Il n'est pas le remplacement d'une supervision responsable et adéquate par un adulte et ne devrait pas être utilisé comme telle.
- Ce produit n'est pas conçu pour être utilisé en tant que moniteur médical.
- N'utilisez pas cet appareil près de l'eau ni de toute autre source d'humidité, par exemple, près d'une baignoire, cuve à lessive, évier de cuisine, dans un sous-sol humide ni près d'une piscine, dans un sous-sol humide ou une douche.
- N'utilisez que les adaptateurs inclus avec ce produit. L'utilisation d'un adaptateur dont la polarité ou la tension serait inadéquate risque d'endommager sérieusement le produit et mettre votre sécurité en péril.

Information sur les adaptateur électrique :
Sortie : 5V DC 1A
VTEch Telecommunications Ltd.
Modèle : VT05EUS05100

Mises en garde

- Utilisez et entreposez le produit à une température entre 0 °C (32 °F) et 40 °C (104 °F).
- N'exposez pas cet appareil à des froids ou des chaleurs extrêmes, ainsi qu'à la lumière directe du soleil. Ne l'installez pas près d'une source de chauffage.
- ⚠ Avertissement - Risque de strangulation - Les enfants se sont ETRANGLES dans des cordons.** Gardez ce cordon hors de portée des enfants (à plus de 0,9 m). N'enlevez pas cette étiquette.
- Ne jamais placer le moniteur à l'intérieur du berceau ou du parc de bébé. Ne jamais couvrir le moniteur ou l'unité (s) portative avec un article tel une serviette ou une couverture.
- D'autres équipements électroniques peuvent produire des interférences sur votre moniteur vidéo et audio. Tendez d'installer votre moniteur vidéo ou audio à l'écart des appareils électroniques tels que des routeurs sans fil, radios, téléphones cellulaires, interphones, moniteurs, téléphones, ordinateurs personnels, électroménagers et téléphones sans fil.

Stimulateurs cardiaques implantés dans l'organisme
Les simulateurs cardiaques (ne s'applique qu'aux dispositifs numériques sans fil) :

L'organisme "Wireless Technology Research, LLC (WTR)", une firme de recherche indépendante, a mené une évaluation pluridisciplinaire des interférences entre les téléphones sans fil portatifs et les stimulateurs cardiaques implantés dans l'organisme. Appuyée par l'Administration des aliments et drogues (FDA) des États-Unis, la firme WTR recommande aux médecins:

- Avis aux détenteurs de stimulateurs cardiaques**
- Vous devriez maintenir les dispositifs sans fil à au moins six pouces du stimulateur cardiaque.
 - Ils ne doivent PAS placer le téléphone sans fil directement sur le stimulateur cardiaque, tel que dans une poche de chemise, lorsque celui-ci est en marche.
- L'étude effectuée par l'organisme WRS n'a pas identifié de risque pour les détenteurs de stimulateurs cardiaques causés par les gens qui utilisent des dispositifs sans fil à proximité de ceux-ci.

Champs électromagnétiques (EMF)
Ce produit de VTEch est conforme à toutes les normes se rapportant aux champs électromagnétiques (EMF) standard. Si vous le manipulez correctement en suivant les instructions de ce guide, son utilisation sera sécuritaire pendant de nombreuses années, selon les meilleures évidences scientifiques dont nous disposons aujourd'hui.

LIMITED WARRANTY

What does this limited warranty cover?
The manufacturer of this VTEch Product warrants to the holder of a valid proof of purchase ("Consumer" or "you") that the Product and all accessories provided in the sales package ("Product") are free from defects in material and workmanship, pursuant to the following terms and conditions, when installed and used normally and in accordance with the Product operating instructions. This limited warranty extends only to the Consumer for Products purchased and used in the United States of America and Canada.

What will VTEch do if the Product is not free from defects in materials and workmanship during the limited warranty period ("Materially Defective Product")?
During the limited warranty period, VTEch's authorized service representative will repair or replace at VTEch's option, without charge, a Materially Defective Product. If we repair the Product, we may use new or refurbished replacement parts. If we choose to replace the Product, we may replace it with a new or refurbished Product of the same or similar design. We will retain defective parts, modules, or equipment. Repair or replacement of the Product, at VTEch's option, is your exclusive remedy. VTEch will return the repaired or replacement Products to you in working condition. You should expect the repair or replacement to take approximately 30 days.

How long is the limited warranty period?
The limited warranty period for the Product extends for ONE (1) YEAR from the date of purchase. If VTEch repairs or replaces a Materially Defective Product under the terms of this limited warranty, this limited warranty also applies to the repaired or replacement Product for a period of either (a) 90 days from the date the repaired or replacement Product is shipped to you or (b) the time remaining on the original one-year warranty; whichever is longer.

What is not covered by this limited warranty?
This limited warranty does not cover:
1. Product that has been subjected to misuse, accident, shipping or other physical damage, improper installation, abnormal operation or handling, neglect, inundation, fire, water or other liquid intrusion, or

2. Product that has been damaged due to repair, alteration or modification by anyone other than an authorized service representative of VTEch; or

3. Product to the extent that the problem experienced is caused by signal conditions, network reliability, or cable or antenna systems; or

4. Product to the extent that the problem is caused by use with non-VTEch accessories; or

5. Product whose warranty/quality stickers, product serial number plates or electronic serial numbers have been removed, altered or rendered illegible; or

6. Product purchased, used, serviced, or shipped for repair from outside the United States of America or Canada, or repair for claims by third parties resulting from the use of this Product. Some states/provinces do not allow the exclusion or limitation of incidental or consequential damages, so the above limitation or exclusion may not apply to you.

How do you get warranty service?
To obtain warranty service in the USA, please visit our website at www.vtechphones.com or call 1 (800) 595-9511. In Canada, go to www.vtechcanada.com or call 1 (800) 267-7377.

NOTE: Before calling for service, please review the user's manual - a check of the Product's controls and features may save you a service call.

Except as provided by applicable law, you assume the risk of loss or damage during transit and transportation and are responsible for delivery or handling charges incurred in the transport of the Product(s) to the service location. VTEch will return repaired or replaced Product under this limited warranty. Transportation, delivery or handling charges are prepaid. VTEch assumes no risk for damage or loss of the Product in transit. If the Product failure is not covered by this limited warranty, or proof of purchase does not meet the terms of this limited warranty, VTEch will notify you and will request that you authorize the cost of repair prior to any further repair activity. You must pay for the cost of repair and return shipping costs for the repair of Products that are not covered by this limited warranty.

What must you return with the Product to get warranty service?

- Return the entire original package and contents including the Product to the VTEch service location along with a description of the malfunction or difficulty; and
- Include a "valid proof of purchase" (sales receipt) identifying the Product purchased (Product model) and the date of purchase or receipt; and
- Provide your name, complete and correct mailing address, and telephone number.

Other limitations
This warranty is the complete and exclusive agreement between you and VTEch. It supersedes all other written or oral communications related to this Product. VTEch provides no other warranties for this Product. The warranty exclusively describes all of VTEch's responsibilities regarding the Product. There are no other express warranties. No one is authorized to make modifications to this limited warranty, and you should not rely on any such modification. State/Provincial Law Rights: This warranty gives you specific legal rights, and you may also have other rights, which vary from state to state or province to province.

Limitations: Implied warranties, including those of fitness for a particular purpose and merchantability (an unwritten warranty that the Product is fit for ordinary use) are limited to one year from the date of purchase. Some states/provinces do not allow limitations on how long an implied warranty lasts, so the above limitation may not apply to you. In no event shall VTEch be liable for any indirect, special, incidental, consequential, or similar damages (including, but not limited to lost profits or revenue, inability to use the Product or other associated equipment, the cost of substitute equipment, and claims by third parties) resulting from the use of this Product. Some states/provinces do not allow the exclusion or limitation of incidental or consequential damages, so the above limitation or exclusion may not apply to you.

Please retain your original sales receipt as proof of purchase.

