

Go to www.vtechphones.com to register your product for enhanced warranty support and latest VTech product news.



vtech
Quick start guide

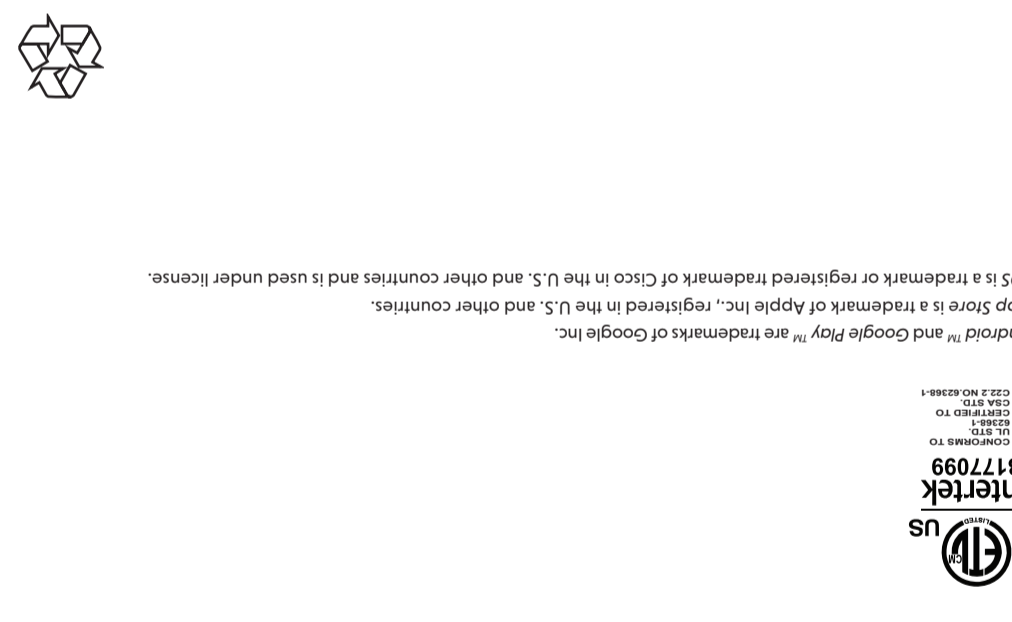
Congratulations
on purchasing your new VTech product. Before using this baby monitor, please read the **Important safety instructions**. For support, shopping, and everything new at VTech, visit our website at www.vtechphones.com. In Canada, visit www.vtechcanada.com.

What does HD Video Monitor do?

VTech 5" Smart Wi-Fi 1080p Pan & Tilt Monitor allows you to stay close to your baby when you are on the move or away. This monitor is Wi-Fi enabled, using your home wireless network to stream live video and audio through the 1080p baby unit and 5-inch color screen parent unit. It allows you to maintain a constant connection to your baby.

You can also monitor from your smartphone and mobile tablet. VTech 5" Smart Wi-Fi 1080p Pan & Tilt Monitor uses **MyVTech Baby Pro** app to let you instantly see and hear what's happening with your baby from anywhere in the world. The app can be downloaded from the App Store or the Google Play™ Store.

Specifications are subject to change without notice.
App Store is a trademark of Apple Inc., registered in the U.S. and other countries.
Android™ and Google Play™ are trademarks of Google Inc.



DISCLAIMER AND LIMITATION OF LIABILITY
VTech Communications, Inc. and its suppliers assume no responsibility for any damage or loss resulting from the use of this user's manual. VTech Communications, Inc. and its suppliers assume no responsibility for any loss of claims or other legal rights that may arise through the use of this product.

TECHNICAL SPECIFICATIONS
Frequency: Baby unit: 2412 - 2462 MHz
Channels: 11
LCD: 5" Color LCD
(FCC 1280x720 pixels)
Nominal effective range: Maximum power allowed by FCC and IC. Actual operating range may vary according to environmental conditions at the time of use.
Power requirement: Baby unit power adapter: Output: 5V DC, 1.000mA
Parent unit power adapter: Output: 5V DC, 2A
Parent unit battery: 3.7V 5000mAh, 18.5Wh Lithium-ion battery

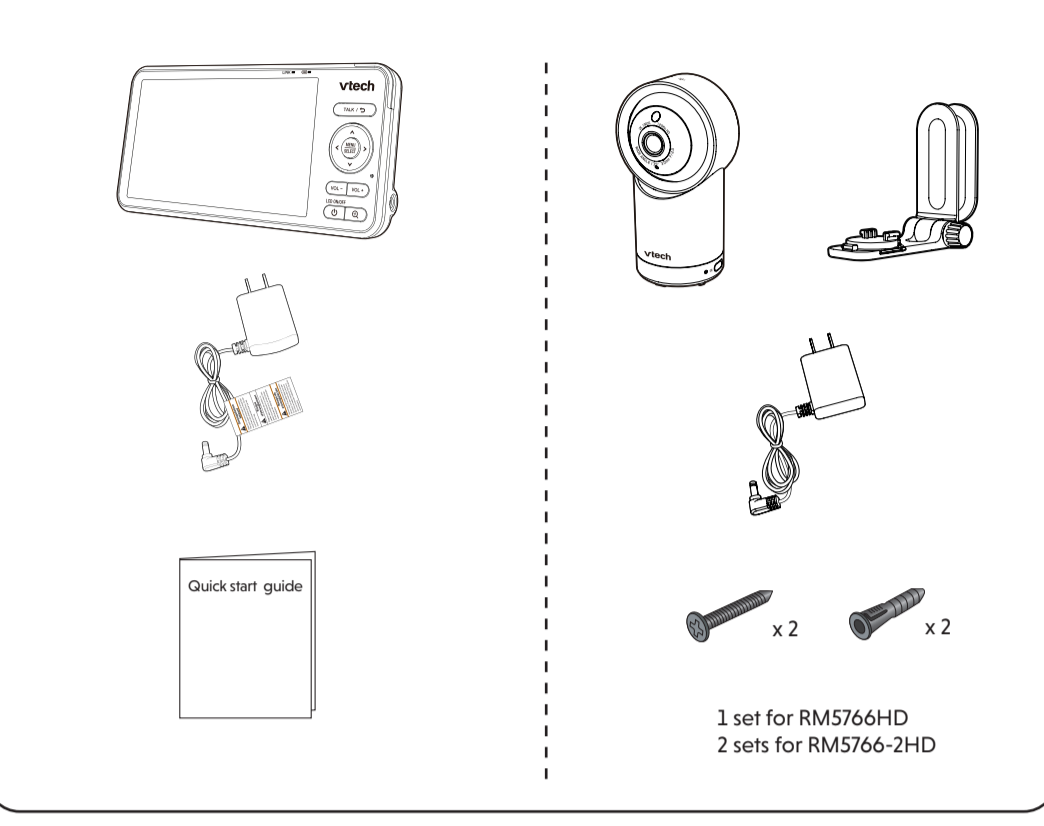
IMPORTANT SAFETY INSTRUCTIONS

- The applied nameplate is located at the bottom of the baby unit's base. When using your equipment, basic safety precautions should always be followed to reduce the risk of fire, electric shock and injury, including the following:
- Follow all warnings and instructions marked on the product.
 - Adult setup is required.
 - CAUTION:** Do not install the baby unit at a height above 6.5 feet (2 meters).
 - This product is intended as an aid. It is not a substitute for responsible and proper adult supervision and should not be used as such.
 - This product is not intended for use as a medical monitor.
 - Do not use this product near water. For example, do not use it near a bath tub, wash bowl, kitchen sink, laundry tub or swimming pool, or in a wet basement or shower.
 - CAUTION:** Use only the battery provided. There may be a risk of explosion if a wrong type of battery is used for the parent unit. The battery cannot be subjected to high or low extreme temperature and low air pressure at high altitude during use, storage or transportation. Disposal of battery into fire or a hot oven, or mechanically crushing or cutting or the battery can result in an explosion. Leaving the battery in an extremely high temperature surrounding environment can result in an explosion or the leakage of flammable liquid or gas. Battery subjected to extremely low air pressure may result in an explosion or the leakage of flammable liquid or gas. Dispose of used battery according to the information in **The RBRC seal**.
 - Use only the adapters included with this product. Incorrect adapter polarity or voltage can seriously damage the product.

- SAVE THESE INSTRUCTIONS**
- Caution:**
- Use and store the product at a temperature between 32°F and 104°F.
 - Burn hazard, fire hazard, explosion hazard associated with mishandling of the battery.
 - Do not expose the product to extreme cold, heat or direct sunlight. Do not put the product close to a heating source.
 - Warning—Strangulation Hazard—Children have STRANGLED in cords. Keep this cord out of the reach of children (more than 3 ft (0.9m) away). Do not remove this tag.
 - Never place the camera unit(s) inside the baby's crib or playpen. Never cover the camera unit(s) or parent unit with anything such as a towel or a blanket.
 - Other electronic products may cause interference with your camera unit. Try installing your camera unit as far away from these electronic devices as possible: wireless routers, radios, cellular telephones, intercoms, room monitors, televisions, personal computers, kitchen appliances and cordless telephones.
- Precautions for users of implanted cardiac pacemakers**
Cardiac pacemakers (applies only to digital cordless devices): Wireless Technology Research, LLC (WTR), an independent research entity, led a multidisciplinary evaluation of the interference between portable wireless devices and implanted cardiac pacemakers. Supported by the U.S. Food and Drug Administration, WTR recommends to physicians that:
- Pacemaker patients**
- Should keep wireless devices at least six inches from the pacemaker.
 - Should NOT place wireless devices directly over the pacemaker, such as in a breast pocket, when it is turned ON. WTR's evaluation did not identify any risk to bystanders with pacemakers from other persons using wireless devices.
- Electromagnetic fields (EMF)**
This VTech product complies with all standards regarding electromagnetic fields (EMF), if handled properly and according to the instructions in this user's manual, the product is safe to be used based on scientific evidence available today.

WHAT'S IN THE BOX

Your baby monitor package contains the following items. Save your sales receipt and original packaging in the event warranty service is necessary.



Requirements

For mobile access:

MyVTech Baby Pro mobile app	Wi-Fi
Network	Wi-Fi
Wi-Fi router	2.4GHz 802.11 b/g/n
Internet connection	1.5 Mbps @ 720p or 2.5 Mbps @1080p upload bandwidth per baby unit

DOWNLOAD APP FOR MOBILE ACCESS

- Download the free **MyVTech Baby Pro** mobile app and install it to a mobile device, then use your mobile device and the mobile app to monitor your areas remotely.
 - Press **MENU/SELECT** when the parent unit is idle.
 - Go to > **Connect Mobile Phone**.
 - Scan the QR code in the parent unit to download the app into your mobile device if you have not installed the app yet.
 - Follow the instructions in the mobile app to set up and pair your baby unit to the mobile app.

Alternatively, you can download the mobile app from the App Store or Google Play store.

- Install MyVTech Baby Pro mobile app**
- Browse the App Store or the Google Play store .
 - Search for the mobile app with the keyword "myvtech baby pro".
 - Download and install the **MyVTech Baby Pro** mobile app to your mobile device.
- OR**
- Scan the QR codes on the right to get the app.

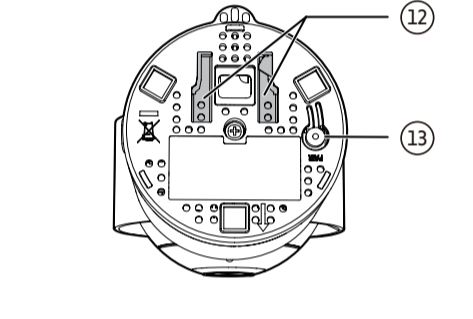
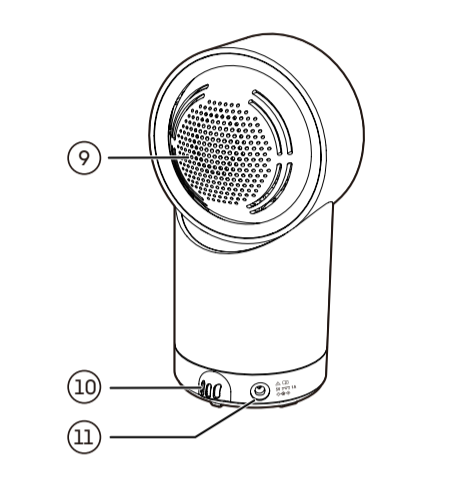
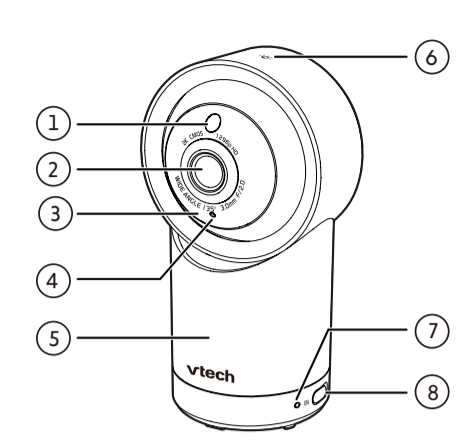
- NOTE**
- Make sure your mobile device meets the minimum requirement for the mobile app.
- Minimum requirement**
The mobile app is compatible with:
- Android™ 6.0 or later; and
 - iOS 12 or later.

- After installing the mobile app, follow the instructions in the mobile app and parent unit to set up and pair your baby unit.

- In your mobile device:**
- Tap to run the mobile app in your mobile device, and then create a user account.
 - We recommend that you use common webmail services, such as Google Gmail for registration of your user account. Check your email (and Spam folder), and activate your new camera account via the email link, then sign in to your account.
 - Follow the instructions in the mobile app to pair the camera. Tap then **Add Camera** in the mobile app to get started.

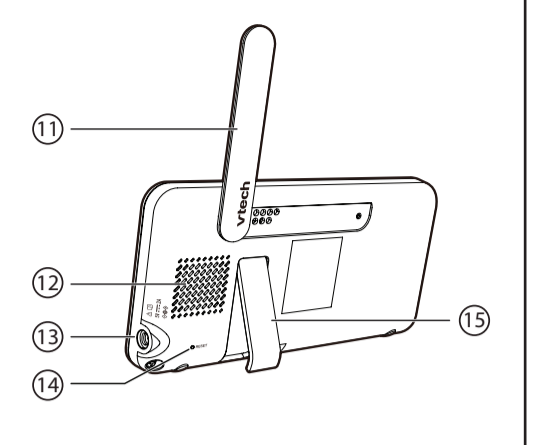
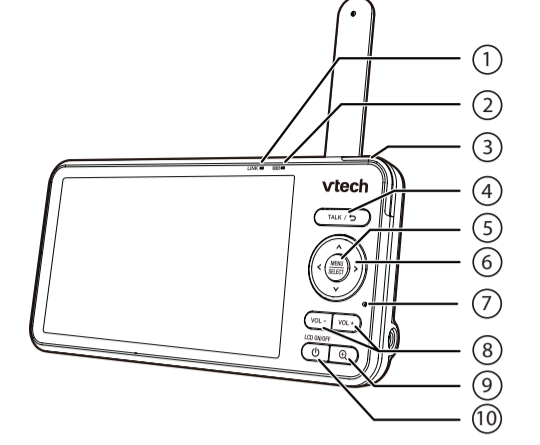
OVERVIEW

Baby unit overview



- Light sensor**
- Camera lens**
- Infrared LEDs**
• Allow you to see clearly in a dark environment.
- Microphone**
- Night Light**
- Night Light Control Key**
• Press to **Night Light** section to learn more.
- LED indicator**
• Red is steadily on when the baby unit is connecting to the parent unit in direct mode.
• Green is steadily on when the baby unit is connected in Wi-Fi router mode.
• Red flashing slowly during video streaming in direct mode.
• Green flashes slowly during video streaming in Wi-Fi router mode.
- ON/OFF switch**
• Power it on or off.
- Speaker**
- Temperature sensor**
- Power jack**
- Wall mount slots**
- PAIR**
• Press and hold for three seconds to enter pairing mode.
• Reset the baby unit to factory default.
1. Press and hold **PAIR** key until you hear a beep sound.
2. Release the **PAIR** key, and then press the **PAIR** key again five times until you hear another beep sound.
3. The baby unit will sound another beep when the reset completes. Then, the baby unit will reboot.

Parent unit overview



- LINK LED light**
• Press to navigate leftward, upward, rightward or downward, within the main menu and sub-menus.
• Flashes when the link to the baby unit is lost.
- LED light**
• On when the parent unit is connected to AC power, and the battery is charging.
• While viewing a zoomed image, press to move the image leftward, upward, rightward or downward.
- 3-level sound indicator light**
• Green: low sound level is detected by the baby unit.
• Green and amber: moderate sound level is detected by the baby unit.
• Green, amber and red: high sound level is detected by the baby unit.
- TALK** |
• Press and hold to talk to the baby unit.
• While in a sub-menu, press to exit.
- MENU | SELECT**
• Press to enter the main menu.
• While in a menu, press to choose an item, or save a setting.
- Arrow keys**
• On when the parent unit is linked to the baby unit.
• Press to navigate leftward, upward, rightward or downward, within the main menu and sub-menus.
• While viewing a zoomed image, press to move the image leftward, upward, rightward or downward.
- Microphone**
- VOL - | VOL +**
• Increase or decrease parent unit volume.
- Zoom**
• Press to zoom in/out.
• While in a sub-menu, press to view the help menu.
- Power | LCD ON/OFF**
- Antenna**
- Speaker**
- Power jack**
- RESET**
• Force reboot the parent unit.
- Stand**

HOW THE SYSTEM WORKS

Direct mode
The parent unit and the baby unit of your video monitor connect to each others in **Direct mode** by default, which allows you to stream live video right out of the box. **Direct mode** connection lets you stream live video from parent unit only.

Local access

Tip
• You may experience reduced signal strength if your parent unit and baby unit are far apart, or there are obstructing factors, such as internal walls, between them. Move the parent unit closer to the baby unit to improve the signal strength.

Wi-Fi Router mode
To stream live video with better connection, you can also set up your monitor in **Router mode** connection.

Router mode uses your home Wi-Fi network to connect the video monitor. It supports streaming live video through the parent unit and **MyVTech Baby Pro** app.

Download and install the **MyVTech Baby Pro** mobile app to stream remotely. With the mobile app, your Wi-Fi router (not included) serves as a communicating channel between your baby unit and mobile device, allowing you to monitor and control your baby unit wherever you are. For details, see **Download app for mobile access** section in this quick start guide.

Mobile access

Connecting Wi-Fi to enhance local access

- Auto mode**
With **Auto mode** connection, the parent unit will automatically select the most reliable connection mode (**Direct** or **Wi-Fi**) when connecting to the baby unit(s). Mobile app access will not be interrupted in **Auto mode**.
- NOTES**
- When both parent unit and app are viewing the camera simultaneously, the video quality will be optimised to deliver the best possible viewing result.

PROTECT YOUR PRIVACY AND ONLINE SECURITY

VTech cares about your privacy and peace of mind. That's why we've put together a list of industry-recommended best practices to help keep your wireless connection private and your devices protected when online. We recommend you carefully review and consider complying with the following tips.

Ensure your wireless connection is secure.

- Before installing a device, ensure your router's wireless signal is encrypted by selecting the "WPA2-PSK with AES" setting in your router's wireless security menu.
- Change your wireless router's default wireless network name (SSID) to something unique.
- Change default passwords to unique, strong passwords. A strong password:
 - Is at least 10 characters long.
 - Is complex.
 - Does not contain dictionary words or personal information.
 - Contains a mix of uppercase letters, lowercase letters, special characters and numbers.

Keep your devices up to date.

- Download security patches from manufacturers as soon as they become available. This will ensure you always have the latest security updates.
- If the feature is available, enable automatic updates for future releases.

Disable Universal Plug and Play (UPnP) on your router.

- UPnP enabled on a router can limit the effectiveness of your firewall by allowing other network devices to open inbound ports without any intervention or approval from you. A virus or other malware program could use this function to compromise security for the entire network.

For more information on wireless connections and protecting your data, please review the following resources from industry experts:

- Federal Communications Commission: Wireless Connections and Bluetooth Security Tips - www.fcc.gov/consumers/guides/how-protect-yourself-online.
- U.S. Department of Homeland Security: Before You Connect a New Computer to the Internet - www.us-cert.gov/ncas/tips/ST15-003.
- Federal Trade Commission: Using IP Cameras Safely - <https://www.consumer.ftc.gov/articles/0382-using-ip-cameras-safely>.
- Wi-Fi Alliance: Discover Wi-Fi Security - <http://www.wi-fi.org/discover-wi-fi/security>.

CONNECT, CHARGE AND POWER ON THE BABY MONITOR

Connect the baby monitor

NOTES

- The rechargeable battery in the parent unit is built-in.
- Use only the power adapters supplied with this product.
- Make sure the parent unit and the baby unit are not connected to the switch controlled electric outlets.
- Connect the power adapters in a vertical or floor mount position only. The adapters' prongs are not designed to hold the weight of the parent unit and the baby unit, so do not connect them to any ceiling, under-the-table, or cabinet outlets. Otherwise, the adapters may not properly connect to the outlets.
- Make sure the parent unit, the baby unit and the power adapter cords are out of reach of children.

Charge the parent unit battery before use

The parent unit runs on rechargeable battery or AC power. To continuously monitor your baby, keep the parent unit connected to AC power.

NOTES

- Before using the baby monitor for the first time, charge the parent unit battery for 12 hours. When the parent unit battery is fully charged, the battery icon becomes solid .
- The standby time varies depending on your actual use.

After the parent unit is fully charged, press **Power** until the welcoming screen appears.

The battery icon indicates the battery status (see the following table).

BATTERY INDICATORS	BATTERY STATUS	ACTION
The screen displays and . The LED light flashes.	The battery has very little charge and may be used for only a short time.	Charge without interruption (about 30 minutes).
The battery icon becomes solid .	The battery is fully charged.	To keep the battery charged, connect it to AC power when not in use.

Slide the switch to **ON** to power on your baby unit.

NOTES

- When powering up, the baby unit's status LED turns on. It will turn off after a while and keeps off.
- The status LED is set to off by default. If you want to keep the LED on, press **MENU**, then go to > **Status LED** and turn it on.

NOTE: Camera lens and surface may get warm during normal operation.

Raise the parent unit antenna for better reception

CONNECT, CHARGE AND POWER ON THE BABY MONITOR

Parent unit battery before use

The parent unit runs on rechargeable battery or AC power. To continuously monitor your baby, keep the parent unit connected to AC power.

NOTES

- Before using the baby monitor for the first time, charge the parent unit battery for 12 hours. When the parent unit battery is fully charged, the battery icon becomes solid .
- The standby time varies depending on your actual use.

After the parent unit is fully charged, press **Power** until the welcoming screen appears.

PARENT UNIT ICONS

Main Menu	Options	Main Menu	Options
Monitoring mode (* For RM5766-2HD only)	<ul style="list-style-type: none"> View baby units in Single mode. View baby units in Split mode. View baby units in Patrol screen. 	General settings	<ul style="list-style-type: none"> Configure Wi-Fi. Change Wi-Fi Network Selection Connection Mode Connection Status Connect mobile phone. Reset Settings to factory default. Software Update.
Night light	<ul style="list-style-type: none"> Turn on or turn off night light. Select a night light color. Adjust night light brightness. Set a night light timer. 	Status icons	<ul style="list-style-type: none"> Direct mode Parent unit, baby unit 1 and baby unit 2 (*For RM5766-2HD only) are connected to each others directly. Wi-Fi Router mode Parent unit, baby unit 1 and baby unit 2 (*For RM5766-2HD only) are connected to home Wi-Fi network. Baby unit 1 and 2 are being viewed in Patrol mode (*For RM5766-2HD only). Baby unit 1 and 2 are being viewed in Split mode (*For RM5766-2HD only). Night vision is turned on. Motion detection alert is turned on. Sound detection alert is turned on. Melodies and soothing sounds are playing. Night light is turned on. Auto night light brightness is activated. Temperature alert is turned on. Parent unit is muted.
Melodies and soothing sounds	<ul style="list-style-type: none"> Select all melodies, or play one of the five melodies and five soothing sounds. You can also set the timer to stop playing after 15, 30 or 60 minutes, or playing non-stop. Adjust baby unit speaker volume. 	Alerts - Sound, motion and temperature	<ul style="list-style-type: none"> Select the sound and motion sensitivity level. Turn on/off sound and motion detection alerts. Select maximum and minimum temperature for alert range. Turn on/off temperature alert. Turn on/off Auto Wake Up function.
Parent unit settings	<ul style="list-style-type: none"> Adjust parent unit screen brightness. Adjust Low Battery Alert Tone. Adjust No Link Alert Tone. Turn on/off Dim mode. 	Baby unit settings	<ul style="list-style-type: none"> Turn on/off Night Vision. Turn on/off baby unit Status LED. Adjust baby unit speaker volume. Update baby unit security key.

70°F Temperature is lower than 68°F.
 Temperature is within 68°F and 75°F.
 Temperature is higher than 75°F.
 Battery indicator.

