

Go to www.vtechphones.com (US) to register your product for enhanced warranty support and latest VTech product news.

Go to phones.vtechcanada.com (CA) for latest VTech product news.

DECT 6.0 cordless telephone with **BLUETOOTH®** wireless technology



Scan the QR code for support information



DS6611-X (US)

DS6611-X (CA)

vtech

Abridged user's manual



All rights reserved. 10/22_DS6611-X-US_CAN_AcB_V6
 © 2022 Vtech Technologies Canada Ltd
 © 2022 Vtech Communications, Inc.
 Specifications are subject to change without notice.



The Bluetooth® word mark and logos are owned by Bluetooth SIG, Inc. and any use of such marks by Vtech Holdings Limited is under license. Vtech Holdings Limited is a member of Bluetooth SIG, Inc. Other trademarks and trade names are those of their respective owners.

The Bluetooth® word mark and logos are owned by Bluetooth SIG, Inc. and any use of such marks by Vtech Holdings Limited is under license. Vtech Holdings Limited is a member of Bluetooth SIG, Inc. Other trademarks and trade names are those of their respective owners.

Interference identified with this logo have reduced noise and interference when used with T-coil equipped hearing aids and cochlear implants. The T1A-1083 Compliant Logo is a trademark of the Telecommunications Industry Association. Used under license.

Telephones identified with this logo have reduced noise and interference when used with T-coil equipped hearing aids and cochlear implants. The T1A-1083 Compliant Logo is a trademark of the Telecommunications Industry Association. Used under license.

Memory	Phonebook: 1000 memory locations (shared between home and cell lines); up to 30 digits and 15 characters; Caller ID log; 50 memory locations; up to 24 digits and 15 characters
Power requirement	Charger: 6V DC @ 0.4A; Telephone base: 6V DC @ 0.4A
Handset	2.4V Ni-MH battery
Normal effective range	according to environmental conditions at the time of use.
Channels	DECT 5
Transmit frequency	1921.356-1928.448 MHz; Bluetooth frequency: 2402.000-2480.000 MHz
Bluetooth	79
Channels	DECT 5
Bluetooth	79
Transmit frequency	1921.356-1928.448 MHz; DECT frequency: 2402.000-2480.000 MHz

TECHNICAL SPECIFICATIONS

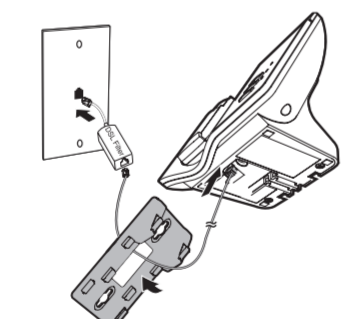
IMPORTANT SAFETY INSTRUCTIONS

- When using your telephone equipment, basic safety precautions should always be followed to reduce the risk of fire, electric shock and injury, including the following:
- Read and understand all instructions.
 - Follow all warnings and instructions marked on the product.
 - Unplug this product from the wall outlet before cleaning.
 - CAUTION:** Do not install the telephone base at a height above 2 meters.
 - Do not use this product near water such as near a bath tub, wash bowl, kitchen sink, laundry tub or a swimming pool, nor in a wet basement or shower.
 - Do not place this product on an unstable table, shelf, stand or other unstable surface.
 - Avoid placing the telephone system in places with extreme temperature, direct sunlight or other electrical devices. Protect your phone from moisture, dust, corrosive liquids and fumes.
 - Slots and openings in the back or bottom of the telephone base and handset are provided for ventilation. To protect them from overheating, these openings must not be blocked by placing the product on a soft surface such as a bed, sofa or rug. The product should never be placed near or over a radiator or heat register. This product should not be placed in any area where proper ventilation is not provided.
 - This product should be operated only from the type of power source indicated on the product. Do not disassemble this product. To reduce the risk of electric shock, do not disassemble this product, but take it to an authorized service facility. Opening or removing parts of the telephone base or handset other than specified access doors may expose you to dangerous voltages or other risks. Incorrect reassembly may cause electric shock when the product is subsequently used.
 - Do not overload wall outlets and extension cords.
 - Unplug this product from the wall outlet and refer servicing to an authorized service facility under the following conditions:
 - When the power supply cord or plug is damaged or frayed.
 - If liquid has been spilled onto the product.
 - If the product does not operate normally by following the operating instructions. Adjust only those controls that are covered by the operation instructions. Improper adjustment of other controls may result in damage and often requires extensive work by an authorized technician to restore the product to normal operation.
 - If the product has been dropped and the telephone base and/or handset has been damaged.
 - If the product exhibits a distinct change in performance.
 - Avoid using a telephone (other than cordless) during an lightning storm. There is a remote risk of electric shock from lightning.
 - Do not use the telephone to report a gas leak in the vicinity of the leak. Under certain circumstances, a spark may be created when the adapter is plugged into a power outlet, or when the handset is replaced in its cradle. This is a common event associated with the closing of an electrical circuit. The user should not plug the phone into a power outlet, and should not put a charged handset into the cradle, if the phone is located in an environment containing concentrations of flammable or flame-supporting gases, unless there is adequate ventilation. A spark in such an environment could create a fire or explosion. Such environments might include: medical use of oxygen without adequate ventilation; industrial gases (cleaning solvents; gasoline vapors; etc.); a leak of natural gas; etc.
 - Only put the handset of your telephone next to your ear when it is in normal talk mode.
 - The power adapter is intended to be correctly oriented in a vertical or floor mount position. The prongs are not designed to hold the plug in place if it is plugged into a ceiling, under-the-table or cabinet outlet.
 - For pluggable equipment, the socket-outlet shall be installed near the equipment and shall be easily accessible.
 - CAUTION:** Use only the batteries indicated in this manual. There may be a risk of explosion if a wrong type of battery is used. Use only the supplied rechargeable batteries or

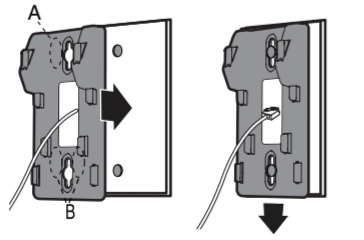
Mount the telephone base

The telephone comes ready for tabletop use. If you have already installed the telephone for tabletop use, unplug the telephone line cord from the telephone wall jack, and unplug the telephone base power adapter from the wall outlet before mounting your telephone on a wall. Follow the steps below to mount your telephone on a wall.

- Route the telephone line cord through the rectangular hole on the wall mount bracket. Then plug the two ends of the telephone line cord into the telephone base and the wall outlet as shown.



- Align the holes on the bracket with the standard wall plate and slide the bracket down until it clicks securely in place.

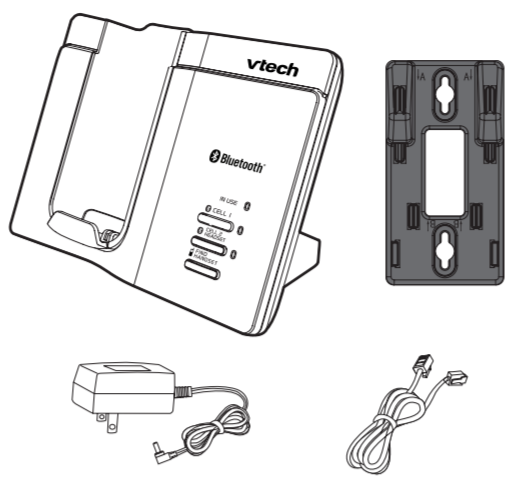


- Align the grooves on the telephone base with the tabs on the wall mount bracket, and then slide it down until it clicks securely in place.



WHAT'S IN THE BOX

Your product package contains the following items. Save your sales receipt and original packaging in the event warranty service is necessary.



- 1 set for DS6611;
- 2 sets for DS6611-2;
- 3 sets for DS6611-3

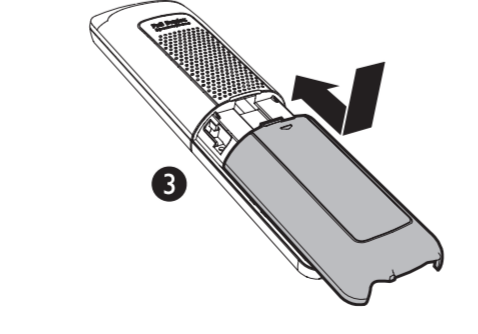
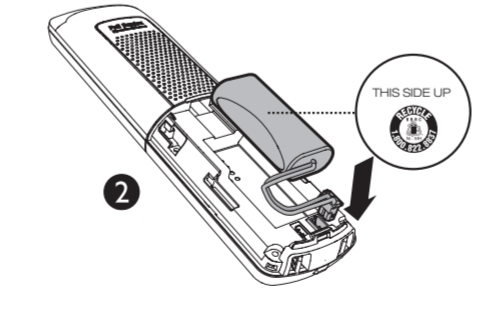
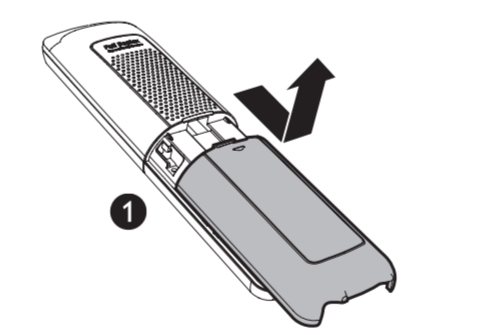


- 1 set for DS6611-2;
- 2 sets for DS6611-3

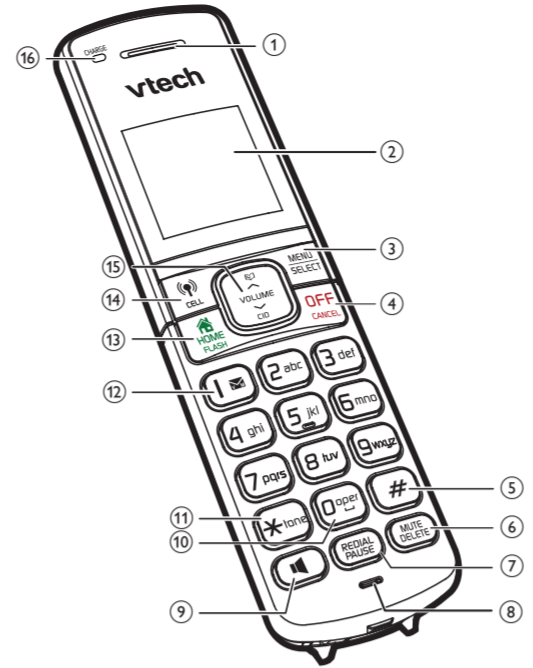


INSTALL AND CHARGE THE BATTERY

- Install the battery as shown below.
- Use only supplied battery.
 - If the handset will not be used for a long time, disconnect and remove the battery to prevent possible leakage.



HANDSET OVERVIEW



- Handset earpiece**
- LCD display**
- MENU/SELECT**
 - Show the menu.
 - While in a menu, press to select an item, or save an entry or setting.
- OFF/CANCEL**
 - Hang up a call.
 - Silence the ringer temporarily while the handset is ringing.
 - Press and hold to erase the missed call indicator while the phone is not in use.
 - Press to return to the previous menu; or press and hold to return to idle mode, without making changes.
- #**
 - Press repeatedly to show other dialing options when reviewing a caller ID log entry.
- MUTE/DELETE**
 - Mute the microphone during a call.
 - Delete digits or characters while using the dialing keys.
 - Silence the ringer temporarily while the handset is ringing.

7 - REDIAL/PAUSE

- Press repeatedly to review the redial list.
- Press and hold to insert a dialing pause while entering a number.

8 - Microphone

- Make or answer a call using the handset speakerphone.
- During a call, press to switch between the speakerphone and the handset.

10 -

- Press to add a space when entering names.

11 -

- While you have set the dial mode to pulse and on a call, press to switch to tone dialing temporarily.

12 - 1

- Press repeatedly to add or remove 1 in front of the caller ID log entry before dialing or saving it to the phonebook.
- Press and hold to set or dial your voicemail number.

13 - /HOME/FLASH

- Make or answer a home call.
- Answer an incoming home call when you hear a call waiting alert.

14 - /CELL

- Make or answer a cell call.
- Answer an incoming cell call when you hear a call waiting alert.
- Review the phonebook when the phone is not in use.
- Increase the listening volume during a call.
- Scroll up while in a menu, or in the phonebook, caller ID log, or redial list.
- Move the cursor to the right when entering numbers or names.

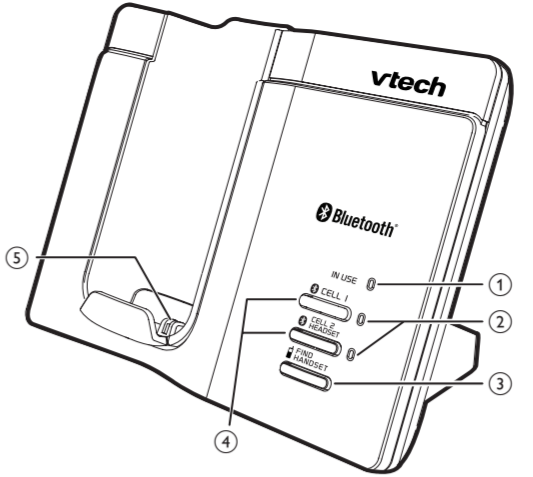
15 - VOLUME/~/CID

- Review the caller ID log when the phone is not in use.
- Decrease the listening volume during a call.
- Scroll down while in a menu, or in the phonebook, caller ID log, or redial list.
- Move the cursor to the left when entering numbers or names.

16 - CHARGE light

- On when the handset is charging.

TELEPHONE BASE OVERVIEW



- IN USE light**
 - Flashes when there is an incoming call, or another telephone sharing the same line is in use.
 - On when the handset is in use.

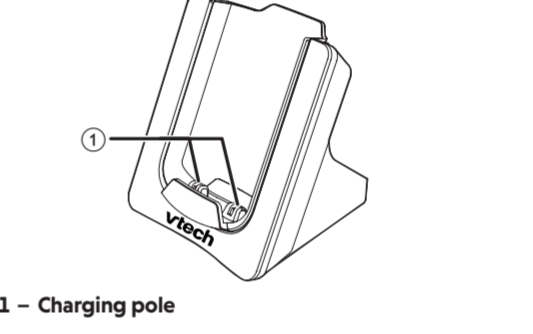
- CELL 1 and CELL 2/HEADSET lights**
 - On when the telephone base is paired and connected with a Bluetooth device.
 - Flashes when the telephone base is in discoverable mode.

- FIND HANDSET**
 - Press to page all system handsets.

- CELL 1 and CELL 2/HEADSET**
 - Press to connect the paired cell phones or headset.
 - Press and hold to add or replace a cell phone or a headset.

- Charging pole**

CHARGER OVERVIEW



- Charging pole**

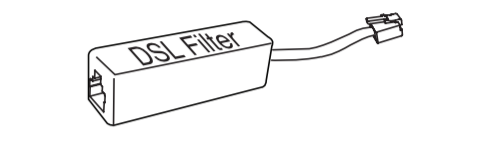
DISPLAY ICONS OVERVIEW

	The battery icon flashes when the battery is low and needs charging.
	The battery icon animates when the battery is charging.
	The battery icon becomes solid when the battery is fully charged.
	The ECO mode activates automatically to reduce power consumption when the handset is within range from the telephone base.
	There are new voicemail received from your telephone service provider.
	On when the home line is in use or there is an incoming home call. Flashes when there is an incoming home waiting call.
	There are Bluetooth devices connected on the cell devices list.
	On when the cell line is in use or there is an incoming cell call. Flashes when there is an incoming cell waiting call.
	There are new caller ID log entries.
	The handset ringer is off.

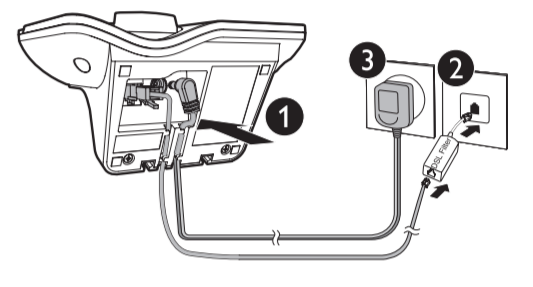
CONNECT

You can choose to connect the telephone base for desktop usage or wall mounting.

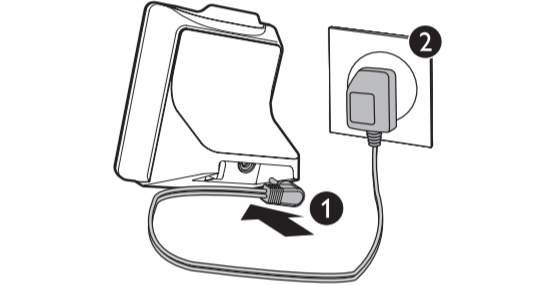
- NOTES**
 - If you subscribe to digital subscriber line (DSL) high-speed Internet service through your telephone line, make sure you install a **DSL filter** (not included) between the telephone line cord and telephone wall jack. Contact your DSL service provider for more information.
 - Use only the adapters provided.
 - Even if you do not subscribe to any conventional telephone service, you can pair a Bluetooth enabled cell phone to your telephone base (see **Bluetooth**), and use the cell line alone without plugging in a telephone line cord.
- TIP**
 - If you subscribe to digital subscriber line (DSL) high-speed Internet service through your telephone line, make sure you install a **DSL filter** (not included) between the telephone line cord and telephone wall jack. Contact your DSL service provider for more information.



Connect the telephone base



Connect the charger



USING THE HANDSET MENU

- Press **MENU** when the phone is not in use.
- Press **✓** or **↵** until the screen displays the desired feature menu.
- Press **SELECT** to enter that menu.
- Return to the previous menu, press **CANCEL**.
- Return to idle mode, press and hold **CANCEL**.

CONFIGURE YOUR TELEPHONE

Set language
 The LCD language is preset to English. You can select English, French or Spanish to be used in all screen displays.

- Press **MENU** when the handset is not in use.
- Scroll to **Settings**, and then press **SELECT** twice.
- Scroll to choose **English, Français or Español**.
- Press **SELECT** to save.

Set date and time

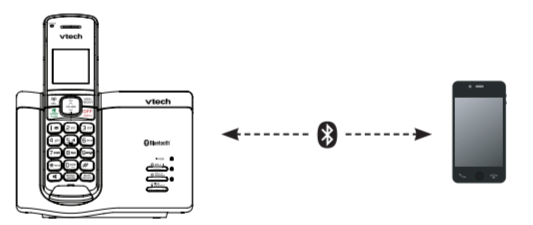
- Press **MENU** when the handset is not in use.
- Scroll to **Set date/time**, and then press **SELECT**.
- Use the dialing keys (**0-9**) to enter the month (**MM**), date (**DD**) and year (**YY**). Then press **SELECT**.
- Use the dialing keys (**0-9**) to enter the hour (**HH**) and minute (**MM**). Then press **✓** or **↵** to choose **AM** or **PM**.
- Press **SELECT** to save.

Temporary tone dialing

- If you have pulse (rotary) service only, you can switch from pulse to tone dialing temporarily during a call.
- During a call, press ***tone**.
 - Use the dialing keys to enter the relevant number. The telephone sends touch-tone signals. It automatically returns to pulse dialing mode after you end the call.

BLUETOOTH

To use a Bluetooth enabled cell phone or headset with your **DS6611**, you must first pair and connect your Bluetooth cell phone or headset with the telephone base.



Bluetooth wireless technology operates within a short range (a maximum of approximately 30 feet). When you pair a Bluetooth cell phone to the telephone base, place your Bluetooth cell phone closer to the telephone base to maintain sufficient signal strength.

NOTE
 For optimal performance, keep your cell phone within 15 feet of the telephone base while using the cell line.

Pair and connect your Bluetooth enabled cell phone

- Choose a slot to pair the cell phone. Press and hold **CELL 1** or **CELL 2/HEADSET** on the telephone base until you hear a confirmation tone, and the **CELL 1** or **CELL 2/HEADSET** light flashes.
- Turn on the Bluetooth feature of your cell phone. Once your cell phone finds your VTech phone (**VTech DS6611**), press appropriate key on your cell phone to continue the pairing process.
 - Your cell phone may prompt you to enter the PIN of the telephone base. The default PIN of the telephone base is **0000**.

When the cell phone is connected to the telephone base, the corresponding status icon (**1** or **2**) displays. The corresponding device light (**CELL 1** or **CELL 2/HEADSET**) turns on.

If the pairing fails, turn off the Bluetooth feature on your cell phone and on the **DS6611** by pressing **CELL 1** or **CELL 2/HEADSET**. Then repeat the steps above to pair and connect again. In some cases, it may take you a few attempts to complete the pairing process.

Pair and connect your Bluetooth enabled headset

- Press **MENU** on the phone when it is not in use.
- Press **✓** or **↵** to scroll to **Bluetooth**, and then press **SELECT**.
- Press **✓** or **↵** to scroll to **Add BT headset**, and then press **SELECT**. The screen displays **Search headset...**
- Set your headset to discoverable mode. Once your headset finds your headset, press **SELECT**.
 - Enter the PIN of your headset if required. The PIN for most Bluetooth devices is **0000** (refer to the user's manual of your headset), and then press **SELECT**.

When the headset is successfully paired and connected to the telephone base, the **1** icon displays. The **CELL 2/HEADSET** light turns on.

VTech Connect to Cell™ application

This application helps you integrate your Android phones with your **DS6611**. For more information and application download, scan the QR code on the right, or go to https://www.vtechphones.com/app_connect_to_cell.

Download contacts from your Bluetooth cell phone

- Press **MENU** when the phone is not in use.
- Scroll to **Bluetooth**, and then press **SELECT**.
- Scroll to **Download PB**, and then press **SELECT**.
- Scroll to select the desired cell phone, and then press **SELECT**.

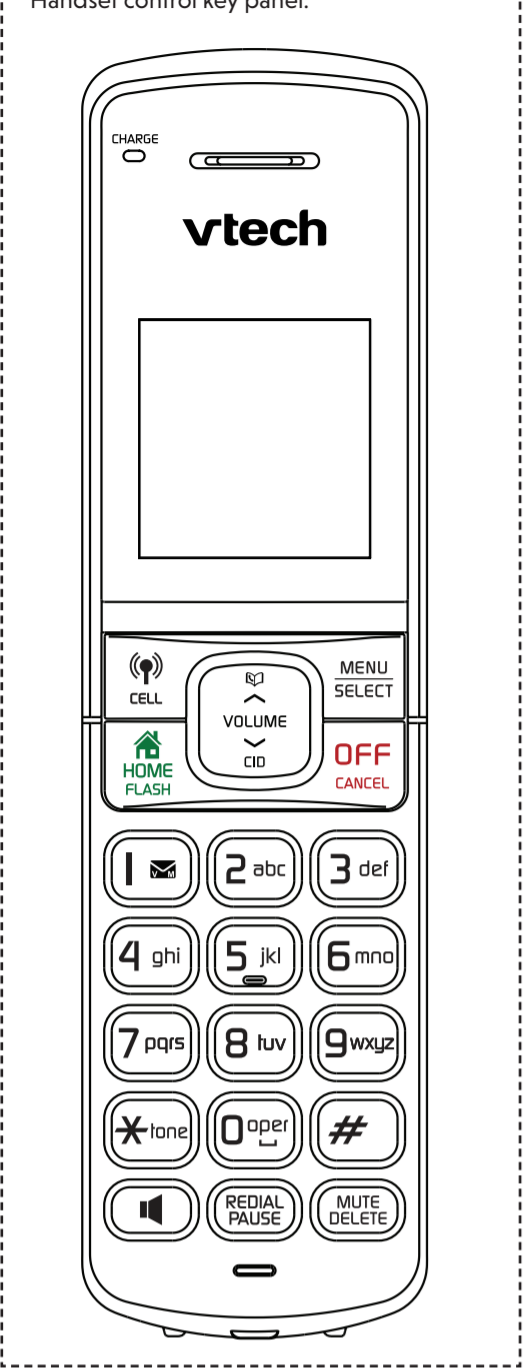
For certain cell phones, you may need to press a key on your cell phone to confirm the phonebook download.

- The performance of phonebook download feature depends on the compatibility of your Bluetooth cell phone. Refer to the user's manual of your cell phone for more information about how that device uses Bluetooth connectivity.
- Certain cell phones do not support SIM card download. If this is the case, transfer the contacts from your SIM card to your cell phone memory first. Then download from your cell phone memory. For more information on how to transfer contacts from your SIM card to your cell phone memory, see the user's manual of your cell phone.
- For Android cell phones, you may also download your cell phone contacts to your **DS6611** via the VTech Contact Share application. Scan the QR code on the right, or go to www.vtechphones.com/apps/contact_share for application download.



TELEPHONE OPERATION

Handset control key panel:



Make a home call

- Press **FLASH**/**HOME** or **Ⓜ**, and then dial the telephone number.

- OR-**
- Enter the telephone number on the handset or base, and then press **FLASH**/**HOME** or **Ⓜ** to dial.

Make a cell call

- Press **☎**/**CELL** on the handset or base.
- Enter the telephone number, and then press **☎**/**CELL** to dial.

- OR-**

- Enter the telephone number on the handset or base, and then press **☎**/**CELL** to dial.

NOTES

- After first pressing **☎**/**CELL**, you may need to choose a cell device. Scroll to select the desired cell device when necessary, and then press **SELECT**.
- While using the call line, place your cell phone closer to the base, and make sure that there are no physical obstacles between the base and the cell phone, such as large furniture or thick walls.

Answer a home/cell call

- Press **FLASH**/**HOME**, **☎**/**CELL**, **Ⓜ**, or any dialing key.

End a home/cell call

- Press **OFF** on the handset, or put the handset to the base or charger.

Speakerphone

- During a call, press **Ⓜ** on the handset to switch between speakerphone and normal handset use.

Volume

- During a call, press **∨**/**VOLUME**/**∧** on the handset to adjust the listening volume.

NOTE

The handset earpiece volume setting and speakerphone volume setting are independent.

Mute

The mute function allows you to hear the other party but the other party cannot hear you.

- During a call, press **MUTE** on the handset or telephone base. The screen displays **Muted**.
- Press **MUTE** again to resume the conversation. The screen displays **Microphone ON**.

Call waiting

When you subscribe to call waiting service from your telephone service provider, you hear an alert tone if there is an incoming call while you are on another call.

Call waiting on the home line:

- Press **FLASH** to put the current call on hold and take the new call.

- Press **FLASH** to switch back and forth between calls.

Call waiting on the cell line:

- Press **☎**/**CELL** 1 or **☎**/**CELL** 2, to put the current call on hold and take the new call.
- Press **☎**/**CELL** 1 or **☎**/**CELL** 2 to switch back and forth between calls.

Find handset

Use this feature to find all system handsets.

To start paging:

- Press **Ⓜ**/**FIND HANDESET** on the telephone base. All idle handsets ring and display **** Paging ****.

To end paging:

- Press **Ⓜ**/**FIND HANDESET** again on the telephone base.

-OR-

- Press **FLASH**/**HOME**, **☎**/**CELL**, **Ⓜ**, **CANCEL**, or any dialing key on the handset.

-OR-

- Place the handset in the telephone base or charger.

NOTE

Do not press and hold **Ⓜ**/**FIND HANDESET** for more than four seconds. It may lead to handset deregistration.

Join a call in progress

You can use up to two system handsets at a time on a home line call. You can buy additional expansion handsets (**DS6600**) for this telephone base. You can register up to five handsets to the telephone base.

- When a handset is on a home call, press **FLASH**/**HOME** or **Ⓜ** on another handset to join the call.

Press **OFF** to exit the call. The call continues until all handsets hang up.

Intercom

Use the intercom features for conversations between two devices.

- Press **MENU** on your handset when not in use.
- Press **∨** or **∧** to scroll to **Intercom**, and then press **SELECT**. Use the dialing keys to enter a destination device number.
- To answer the intercom call, press **FLASH**/**HOME**, **☎**/**CELL**, **Ⓜ**, or any dialing key on the destination handset.
- To end the intercom call, press **OFF** or place the handset back in the telephone base or charger.

Transfer a call

While on an outside call, you can use the intercom feature to transfer the call from one handset to another.

- Press **MENU** on your handset during a call.
- Press **∨** or **∧** to scroll to **Intercom**, and then press **SELECT**. The current call is put on hold. Use the dialing keys to enter a destination device number.
- To answer the intercom call, press **FLASH**/**HOME**, **☎**/**CELL**, **Ⓜ**, or any dialing key on the destination handset. You can now have a private conversation before transferring the call.
- To transfer the call, press **OFF** on the initiating handset or place the initiating handset back in the telephone base or charger.
- To end the call, press **OFF** on the destination handset or place the destination handset back in the telephone base or charger.

Answer an incoming call during an intercom call

If you receive an incoming call during an intercom call, there is an alert tone.

- To answer a home call, press **FLASH**/**HOME**. The intercom call ends automatically.
- To end the intercom call without answering the outside call, press **OFF**. The intercom call ends and the telephone continues to ring.
- To answer a cell call, press **OFF** to end the intercom call. The telephone continues to ring. Then press **☎**/**CELL**.

REDIAL LIST

Each handset stores the last 10 telephone numbers dialed. When there are already 10 entries, the oldest entry is deleted to make room for the new entry.

Review the redial list

- Press **REDIAL** when the handset is not in use.

- Press **∨**, **∧**, or **REDIAL** repeatedly until the desired entry displays.

Dial a redial list entry

- Press **FLASH**/**HOME**, **☎**/**CELL**, or **Ⓜ** to dial.

Delete a redial list entry

When the desired redial entry displays, press **DELETE**.

PHONEBOOK

The phonebook can store up to 1000 entries, which are shared by all handsets. Each entry may consist of a telephone number up to 30 digits, and a name up to 15 characters.

Add a phonebook entry

- Press **MENU** when the phone is not in use.
- Scroll to **Phonebook** then press **SELECT**.
- Press **SELECT** again to choose **Add new entry**.
- Enter the number.
- Use the dialing keys to enter the number (up to 30 digits).
- Press **SELECT** to move to the name.
- Use the dialing keys to enter the name (up to 15 characters). Additional key presses show other characters of that particular key.
- Press **SELECT** to save.

While entering numbers and names, you can:

- Press **DELETE** to erase a digit or character.
- Press and hold **DELETE** to erase the entire entry.
- Press **∇** or **▲** to move the cursor to the left or right.
- Press and hold **PAUSE** to insert a dialing pause (for entering phone numbers only).
- Press ***** to add a space (for entering names only).
- Press **X** to add **X** (if appears) or **#** to add **#** (if appears) (for entering phone numbers only).

Review the phonebook

Entries are sorted alphabetically.

- Press **☎** when the phone is not in use.
- Scroll to browse through the phonebook, or use the dialing keys to start a name search (you can enter up to 3 characters for the search).
- When the desired entry appears, press **∇** or **▲** to dial.

Delete a phonebook entry

- When the desired entry displays, press **DELETE**.
- When the screen displays **Delete entry**, press **SELECT**.

Save a caller ID log entry to the phonebook

- Press **MENU** when the phone is not in use.
- Scroll to **Phonebook**, and then press **SELECT**.
- Scroll to **Delete all**, and then press **SELECT**.
- When the screen displays **Delete all?**, press **SELECT**.

Edit a phonebook entry

- When the desired entry displays, press **SELECT**.
- Use the dialing keys to edit the number, and then press **SELECT**.
- Use the dialing keys to edit the name, and then press **SELECT** to save.

Delete a caller ID log entry

- When the desired caller ID log entry displays, press **DELETE**.

Delete all caller ID log entries

- Press **MENU** when the phone is not in use.

- Scroll to **Caller ID log** and then press **SELECT**.

- Scroll to **Delete all** and then press **SELECT** twice.

CALL BLOCK

If you subscribe to caller ID service, you can set the telephone to block unknown calls and certain undesired calls. The call block list stores up to 20 entries.

Block unknown calls

- Press **MENU** when the phone is not in use.
- Scroll to **Call block**, and then press **SELECT**.
- Scroll to **Calls w/o num**, and then press **SELECT**.
- Scroll to choose **Not block** or **Block**, and then press **SELECT**.

Add a call block list entry

- Press **MENU** when the phone is not in use.
- Scroll to **Call block**, and then press **SELECT**.
- Scroll to **Block list**, and then press **SELECT**.
- Scroll to **Add new entry**, and then press **SELECT**.
- Enter the number.
- Use the dialing keys to enter the number (up to 30 digits).
- Press **SELECT** to move to the name.
- Use the dialing keys to enter the name (up to 15 characters). Additional key presses show other characters of that particular key.
- Press **SELECT** to save.

Dial a caller ID log entry

- When the desired entry appears, press **∇** or **▲** to dial.

Phonebook	Use the dialing keys to enter the number (up to 30 digits).
Block unknown calls	Use the dialing keys to enter the name (up to 15 characters). Additional key presses show other characters of that particular key.
Add a call block list entry	Use the dialing keys to enter the number (up to 30 digits).
Block unknown calls	Use the dialing keys to enter the name (up to 15 characters). Additional key presses show other characters of that particular key.
Add a call block list entry	Use the dialing keys to enter the number (up to 30 digits).
Block unknown calls	Use the dialing keys to enter the name (up to 15 characters). Additional key presses show other characters of that particular key.
Add a call block list entry	Use the dialing keys to enter the number (up to 30 digits).
Block unknown calls	Use the dialing keys to enter the name (up to 15 characters). Additional key presses show other characters of that particular key.
Add a call block list entry	Use the dialing keys to enter the number (up to 30 digits).
Block unknown calls	Use the dialing keys to enter the name (up to 15 characters). Additional key presses show other characters of that particular key.
Add a call block list entry	Use the dialing keys to enter the number (up to 30 digits).
Block unknown calls	Use the dialing keys to enter the name (up to 15 characters). Additional key presses show other characters of that particular key.
Add a call block list entry	Use the dialing keys to enter the number (up to 30 digits).
Block unknown calls	Use the dialing keys to enter the name (up to 15 characters). Additional key presses show other characters of that particular key.
Add a call block list entry	Use the dialing keys to enter the number (up to 30 digits).
Block unknown calls	Use the dialing keys to enter the name (up to 15 characters). Additional key presses show other characters of that particular key.
Add a call block list entry	Use the dialing keys to enter the number (up to 30 digits).
Block unknown calls	Use the dialing keys to enter the name (up to 15 characters). Additional key presses show other characters of that particular key.
Add a call block list entry	Use the dialing keys to enter the number (up to 30 digits).
Block unknown calls	Use the dialing keys to enter the name (up to 15 characters). Additional key presses show other characters of that particular key.
Add a call block list entry	Use the dialing keys to enter the number (up to 30 digits).
Block unknown calls	Use the dialing keys to enter the name (up to 15 characters). Additional key presses show other characters of that particular key.
Add a call block list entry	Use the dialing keys to enter the number (up to 30 digits).
Block unknown calls	Use the dialing keys to enter the name (up to 15 characters). Additional key presses show other characters of that particular key.
Add a call block list entry	Use the dialing keys to enter the number (up to 30 digits).
Block unknown calls	Use the dialing keys to enter the name (up to 15 characters). Additional key presses show other characters of that particular key.
Add a call block list entry	Use the dialing keys to enter the number (up to 30 digits).
Block unknown calls	Use the dialing keys to enter the name (up to 15 characters). Additional key presses show other characters of that particular key.
Add a call block list entry	Use the dialing keys to enter the number (up to 30 digits).
Block unknown calls	Use the dialing keys to enter the name (up to 15 characters). Additional key presses show other characters of that particular key.
Add a call block list entry	Use the dialing keys to enter the number (up to 30 digits).
Block unknown calls	Use the dialing keys to enter the name (up to 15 characters). Additional key presses show other characters of that particular key.
Add a call block list entry	Use the dialing keys to enter the number (up to 30 digits).
Block unknown calls	Use the dialing keys to enter the name (up to 15 characters). Additional key presses show other characters of that particular key.
Add a call block list entry	Use the dialing keys to enter the number (up to 30 digits).
Block unknown calls	Use the dialing keys to enter the name (up to 15 characters). Additional key presses show other characters of that particular key.
Add a call block list entry	Use the dialing keys to enter the number (up to 30 digits).
Block unknown calls	Use the dialing keys to enter the name (up to 15 characters). Additional key presses show other characters of that particular key.
Add a call block list entry	Use the dialing keys to enter the number (up to 30 digits).
Block unknown calls	Use the dialing keys to enter the name (up to 15 characters). Additional key presses show other characters of that particular key.
Add a call block list entry	Use the dialing keys to enter the number (up to 30 digits).
Block unknown calls	Use the dialing keys to enter the name (up to 15 characters). Additional key presses show other characters of that particular key.
Add a call block list entry	Use the dialing keys to enter the number (up to 30 digits).
Block unknown calls	Use the dialing keys to enter the name (up to 15 characters). Additional key presses show other characters of that particular key.
Add a call block list entry	Use the dialing keys to enter the number (up to 30 digits).
Block unknown calls	Use the dialing keys to enter the name (up to 15 characters). Additional key presses show other characters of that particular key.
Add a call block list entry	Use the dialing keys to enter the number (up to 30 digits).
Block unknown calls	Use the dialing keys to enter the name (up to 15 characters). Additional key presses show other characters of that particular key.
Add a call block list entry	Use the dialing keys to enter the number (up to 30 digits).
Block unknown calls	Use the dialing keys to enter the name (up to 15 characters). Additional key presses show other characters of that particular key.
Add a call block list entry	Use the dialing keys to enter the number (up to 30 digits).
Block unknown calls	Use the dialing keys to enter the name (up to 15 characters). Additional key presses show other characters of that particular key.
Add a call block list entry	Use the dialing keys to enter the number (up to 30 digits).
Block unknown calls	Use the dialing keys to enter the name (up to 15 characters). Additional key presses show other characters of that particular key.
Add a call block list entry	Use the dialing keys to enter the number (up to 30 digits).
Block unknown calls	Use the dialing keys to enter the name (up to 15 characters). Additional key presses show other characters of that particular key.
Add a call block list entry	Use the dialing keys to enter the number (up to 30 digits).
Block unknown calls	Use the dialing keys to enter the name (up to 15 characters). Additional key presses show other characters of that particular key.
Add a call block list entry	Use the dialing keys to enter the number (up to 30 digits).
Block unknown calls	Use the dialing keys to enter the name (up to 15 characters). Additional key presses show other characters of that particular key.
Add a call block list entry	Use the dialing keys to enter the number (up to 30 digits).
Block unknown calls	Use the dialing keys to enter the name (up to 15 characters). Additional key presses show other characters of that particular key.
Add a call block list entry	Use the dialing keys to enter the number (up to 30 digits).
Block unknown calls	Use the dialing keys to enter the name (up to 15 characters). Additional key presses show other characters of that particular key.
Add a call block list entry	Use the dialing keys to enter the number (up to 30 digits).
Block unknown calls	Use the dialing keys to enter the name (up to 15 characters). Additional key presses show other characters of that particular key.
Add a call block list entry	Use the dialing keys to enter the number (up to 30 digits).
Block unknown calls	Use the dialing keys to enter the name (up to 15 characters). Additional key presses show other characters of that particular key.
Add a call block list entry	Use the dialing keys to enter the number (up to 30 digits).
Block unknown calls	Use the dialing keys to enter the name (up to 15 characters). Additional key presses show other characters of that particular key.
Add a call block list entry	Use the dialing keys to enter the number (up to 30 digits).
Block unknown calls	Use the dialing keys to enter the name (up to 15 characters). Additional key presses show other characters of that particular key.
Add a call block list entry	Use the dialing keys to enter the number (up to 30 digits).
Block unknown calls	Use the dialing keys to enter the name (up to 15 characters). Additional key presses show other characters of that particular key.
Add a call block list entry	Use the dialing keys to enter the number (up to 30 digits).
Block unknown calls	Use the dialing keys to enter the name (up to 15 characters). Additional key presses show other characters of that particular key.
Add a call block list entry	Use the dialing keys to enter the number (up to 30 digits).
Block unknown calls	Use the dialing keys to enter the name (up to 15 characters). Additional key presses show other characters of that particular key.
Add a call block list entry	Use the dialing keys to enter the number (up to 30 digits).
Block unknown calls	Use the dialing keys to enter the name (up to 15 characters). Additional key presses show other characters of that particular key.
Add a call block list entry	Use the dialing keys to enter the number (up to 30 digits).
Block unknown calls	Use the dialing keys to enter the name (up to 15 characters). Additional key presses show other characters of that particular key.
Add a call block list entry	Use the dialing keys to enter the number (up to 30 digits).
Block unknown calls	Use the dialing keys to enter the name (up to 15 characters). Additional key presses show other characters of that particular key.
Add a call block list entry	Use the dialing keys to enter the number (up to 30 digits).
Block unknown calls	Use the dialing keys to enter the name (up to 15 characters). Additional key presses show other characters of that particular key.
Add a call block list entry	Use the dialing keys to enter the number (up to 30 digits).
Block unknown calls	Use the dialing keys to enter the name (up to 15 characters). Additional key presses show other characters of that particular key.
Add a call block list entry	Use the dialing keys to enter the number (up to 30 digits).
Block unknown calls	Use the dialing keys to enter the name (up to 15 characters). Additional key presses show other characters of that particular key.
Add a call block list entry	Use the dialing keys to enter the number (up to 30 digits).
Block unknown calls	Use the dialing keys to enter the name (up to 15 characters). Additional key presses show other characters of that particular key.
Add a call block list entry	Use the dialing keys to enter the number (up to 30 digits).
Block unknown calls	Use the dialing keys to enter the name (up to 15 characters). Additional key presses show other characters of that particular key.
Add a call block list entry	Use the dialing keys to enter the number (up to 30 digits).
Block unknown calls	Use the dialing keys to enter the name (up to 15 characters). Additional key presses show other characters of that particular key.
Add a call block list entry	Use the dialing keys to enter the number (up to 30 digits).
Block unknown calls	Use the dialing keys to enter the name (up to 15 characters). Additional key presses show other characters of that particular key.
Add a call block list entry	Use the dialing keys to enter the number (up to 30 digits).
Block unknown calls	Use the dialing keys to enter the name (up to 15 characters). Additional key presses show other characters of that particular key.
Add a call block list entry	Use the dialing keys to enter the number (up to 30 digits).
Block unknown calls	Use the dialing keys to enter the name (up to 15 characters). Additional key presses show other characters of that particular key.
Add a call block list entry	Use the dialing keys to enter the number (up to 30 digits).
Block unknown calls	Use the dialing keys to enter the name (up to 15 characters). Additional key presses show other characters of that particular key.
Add a call block list entry	Use the dialing keys to enter the number (up to 30 digits).
Block unknown calls	Use the dialing keys to enter the name (up to 15 characters). Additional key presses show other characters of that particular key.
Add a call block list entry	Use the dialing keys to enter the number (up to 30 digits).
Block unknown calls	Use the dialing keys to enter the name (up to 15 characters). Additional key presses show other characters of that particular key.
Add a call block list entry	Use the dialing keys to enter the number (up to 30 digits).
Block unknown calls	Use the dialing keys to enter the name (up to 15 characters). Additional key presses show other characters of that particular key.
Add a call block list entry	Use the dialing keys to enter the number (up to 30 digits).
Block unknown calls	Use the dialing keys to enter the name (up to 15 characters). Additional key presses show other characters of that particular key.
Add a call block list entry	Use the dialing keys to enter the number (up to 30 digits).
Block unknown calls	Use the dialing keys to enter the name (up to 15 characters). Additional key presses show other characters of that particular key.
Add a call block list entry	Use the dialing keys to enter the number (up to 30 digits).
Block unknown calls	Use the dialing keys to enter the name (up to 15 characters). Additional key presses show other characters of that particular key.
Add a call block list entry	Use the dialing keys to enter the number (up to 30 digits).
Block unknown calls	Use the dialing keys to enter the name (up to 15 characters). Additional key presses show other characters of that particular key.
Add a call block list entry	Use the dialing keys to enter the number (up to 30 digits).
Block unknown calls	Use the dialing keys to enter the name (up to 15 characters). Additional key presses show other characters of that particular key.
Add a call block list entry	Use the dialing keys to enter the number (up to 30 digits).
Block unknown calls	Use the dialing keys to enter the name (up to 15 characters). Additional key presses show other characters of that particular key.
Add a call block list entry	Use the dialing keys to enter the number (up to 30 digits).